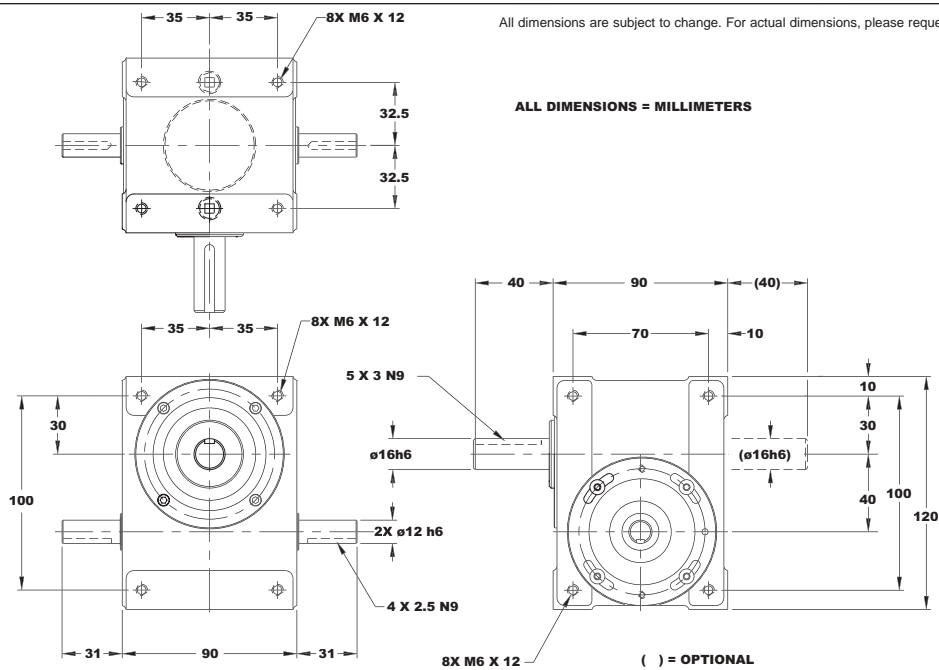






# 40RGS



All dimensions are subject to change. For actual dimensions, please request the current drawing from IMC.

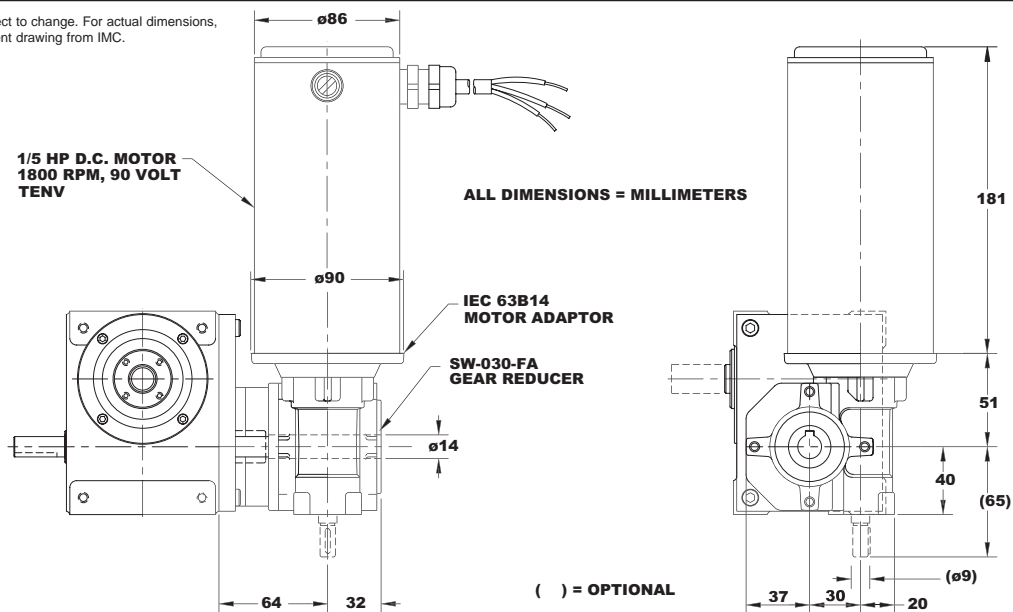
## Standard Features

- ◆ Fully Metric
- ◆ Universal Mounting: mounting holes on any of 6 sides
- ◆ Center Through Hole (.50 in./13 mm Diameter) in RGD model.
- ◆ Right Hand Cam

## Accessories and Options

- ◆ SW-030 Gear Reducer (ratios from 5:1 to 50:1) with
  - IEC63B14 Motor Adapter
  - 1/5 hp DC Motor and Varipak DC Motor Control (up to 30 cpm)
  - 1/6 hp AC Motor and Inverter Drive (up to 60 cpm)
- ◆ .06 hp DC Gear Motor Drive Package
  - Direct Drive or Belt Drive
  - Varipak DC Motor Control (up to 30 cpm)
- ◆ Output Overload Clutch Models: M40F, M40FC, M40S and M40C
  - Available Settings: 160, 210, 270 in-lb or 18, 24, 30 Nm
- ◆ Single or Dual Cycle Cam and Limit Switch
- ◆ Left Hand Cam
- ◆ Relief in Dwell for shot-pin applications

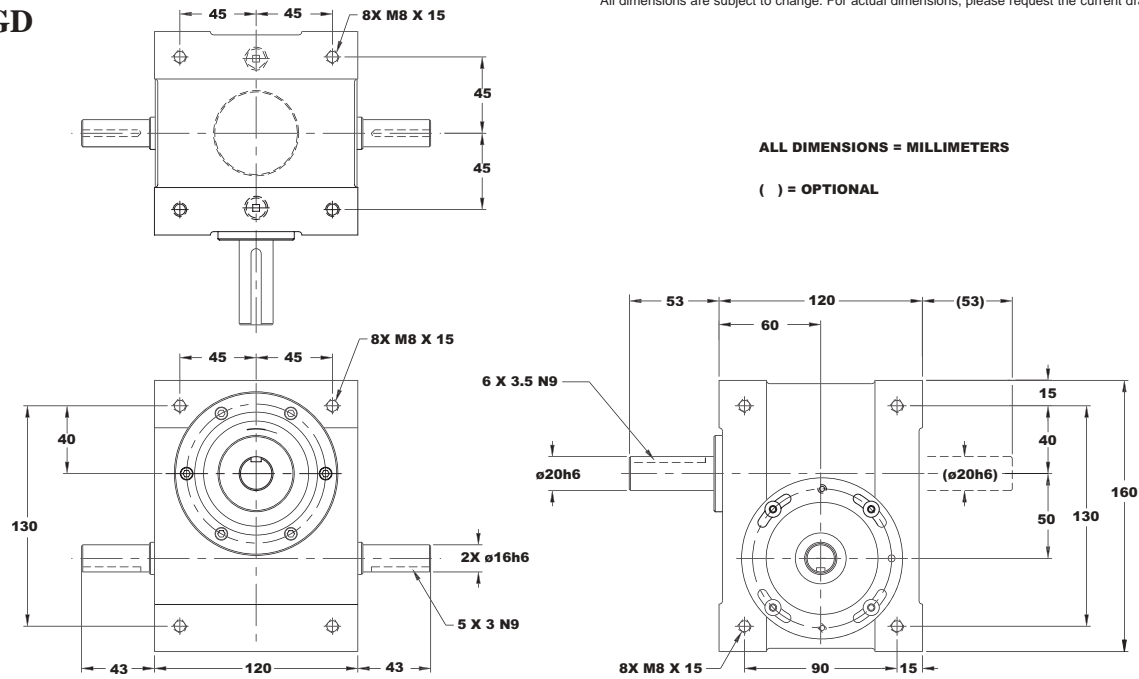
All dimensions are subject to change. For actual dimensions, please request the current drawing from IMC.



( ) = OPTIONAL

# 50RGD/50RGS

## 50RGD



## 50RGD/RGS Indexer Capacities

Stops (S)	Index Period (β)	Motion	B <sub>10</sub> Capacity at 50 RPM (in-lb)	RGD Internal Inertia (lb-in <sup>2</sup> )	RGS Internal Inertia (lb-in <sup>2</sup> )	Model*
2	270	msec.50	621	1.4	1.6	50RG(D/S)2H18-270
3	270	ms	287	1.3	1.5	50RG(D/S)3H14-270
	180	ms	300	1.3	1.5	50RG(D/S)3H14-180
4	270	ms	326	1.4	1.5	50RG(D/S)4H14-270
	180	ms	351	1.4	1.5	50RG(D/S)4H14-180
6	270	ms	606	1.4	1.6	50RG(D/S)6H18-270
	180	ms	671	1.4	1.6	50RG(D/S)6H18-180
	120	ms	719	1.4	1.6	50RG(D/S)6H18-120
	90	ms	734	1.4	1.6	50RG(D/S)6H18-90
8	270	ms	336	1.4	1.5	50RG(D/S)8H14-270
	180	ms	375	1.4	1.5	50RG(D/S)8H14-180
	120	ms	396	1.4	1.5	50RG(D/S)8H14-120
	90	ms	403	1.4	1.5	50RG(D/S)8H14-90
12	270	ms	275	1.4	1.5	50RG(D/S)12H12-270
	180	ms	310	1.4	1.5	50RG(D/S)12H12-180
	120	ms	322	1.4	1.5	50RG(D/S)12H12-120
	90	ms	329	1.4	1.5	50RG(D/S)12H12-90
16	180	ms	447	1.4	1.5	50RG(D/S)16H14-180 II
24	180	ms	374	1.4	1.5	50RG(D/S)24H12-180 II
	120	ms	409	1.4	1.5	50RG(D/S)24H12-120 II

\* Specify "D" for Dial (Flange) Output or "S" for Shaft Output.

Other Motions (stops and index periods) available. Contact your IMC sales representative for more information.

## Technical Specifications

### Output Load Capacity – loads carried during index

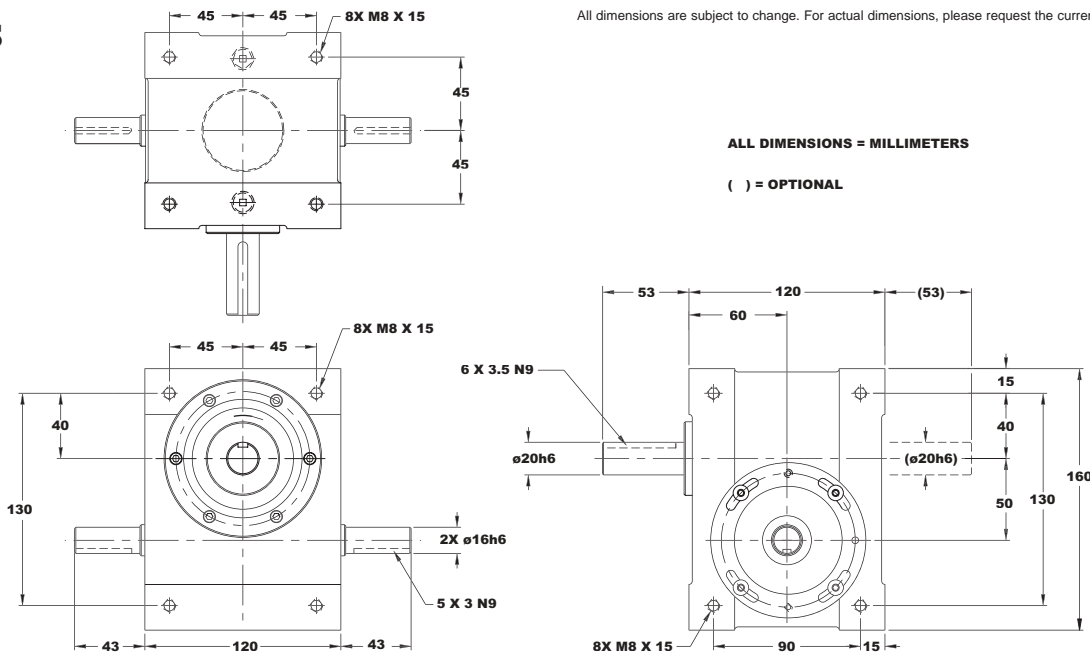
	RGD	RGS
Radial	1775 lbs	689 lbs
Thrust/Axial	925 lbs	545 lbs
Moment	1572 in-lbs	1438 in-lbs

**Accuracy** ±73 arcsec / ±.0011" at 3" Radius

**Repeatability** ±37 arcsec / ±.0007" at 3" Radius

# 50RGS

All dimensions are subject to change. For actual dimensions, please request the current drawing from IMC.



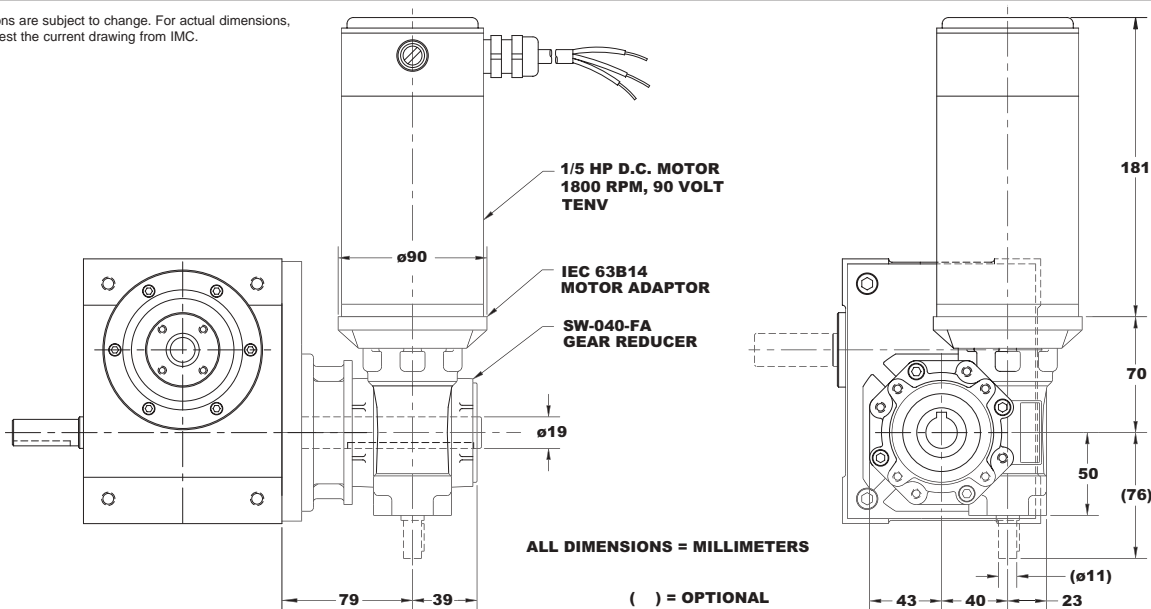
## Standard Features

- ◆ Fully Metric
- ◆ Universal Mounting: mounting holes on any of 6 sides
- ◆ Center Through Hole (.59 in. / 15 mm Diameter) in RGD model.
- ◆ Right Hand Cam

## Accessories and Options

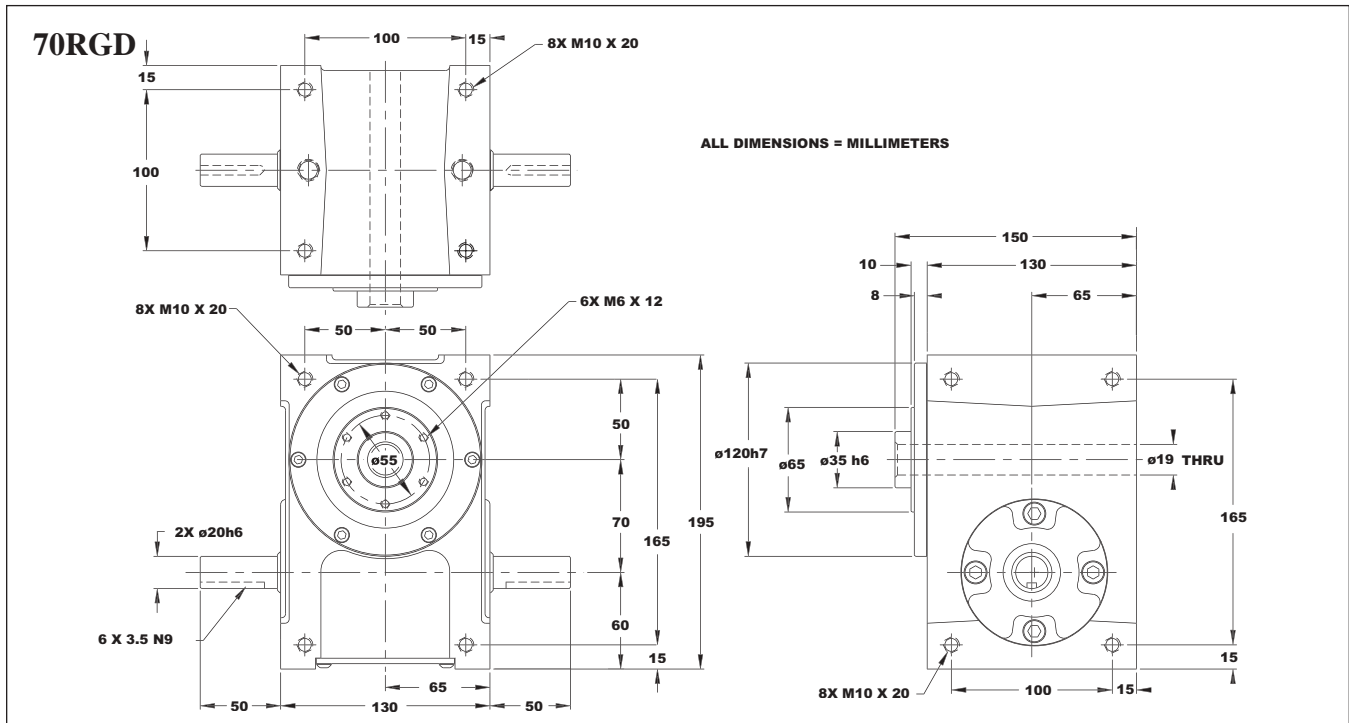
- ◆ SW-040 Gear Reducer (ratios from 5:1 to 40:1) with
  - IEC63B14 Motor Adapter
  - 1/4 hp AC Motor and Inverter Drive (up to 60 cpm)
  - 1/5 hp DC Motor and Varipak DC Motor Control (up to 30 cpm)
- ◆ .125 hp DC Gear Motor Drive Package
  - Direct Drive or Belt Drive
  - Varipak DC Motor Control (up to 30 cpm)
- ◆ Output Overload Clutch Models: M50F, M50FC, M50S and M50C
  - Available Settings: 270, 320, 390 in-lb or 30, 35, 40 Nm
- ◆ Single or Dual Cycle Cam and Limit Switch
- ◆ Left Hand Cam
- ◆ Relief in Dwell for shot-pin applications

All dimensions are subject to change. For actual dimensions, please request the current drawing from IMC.



# 70RGD/70RGS

D



70RGD/RGS Indexer Capacities						
Stops (S)	Index Period (β)	Motion	B <sub>10</sub> Capacity at 50 RPM (in-lb)	RGD Internal Inertia (lb-in <sup>2</sup> )	RGS Internal Inertia (lb-in <sup>2</sup> )	Model*
2	270	ms	585	7	8	70RG(D/S)2H20-270
	180	ms	562	7	8	70RG(D/S)2H18-180
3	270	ms	720	7	8	70RG(D/S)3H20-270
	180	ms	753	7	8	70RG(D/S)3H20-180
4	270	ms	821	9	10	70RG(D/S)4H20-270
	180	msc.15	942	9	10	70RG(D/S)4H20-180
	120	msc.33	1107	10	10	70RG(D/S)4H18-120
6	270	ms	1406	9	10	70RG(D/S)6H24-270
	180	ms	1583	9	10	70RG(D/S)6H24-180
	120	ms	1768	9	10	70RG(D/S)6H24-120
	90	msc.33	2110	9	10	70RG(D/S)6H24-90
8	270	ms	853	9	10	70RG(D/S)8H20-270
	180	ms	949	9	10	70RG(D/S)8H20-180
	120	ms	1027	9	10	70RG(D/S)8H20-120
	90	ms	1063	9	10	70RG(D/S)8H20-90
12	270	ms	470	10	10	70RG(D/S)12H14-270
	180	ms	528	10	10	70RG(D/S)12H14-180
	120	ms	564	10	10	70RG(D/S)12H14-120
24	180	ms	584	10	10	70RG(D/S)12H14-90
	180	ms	635	10	10	70RG(D/S)24H14-180 II

\* Specify "D" for Dial (Flange) Output or "S" for Shaft Output.

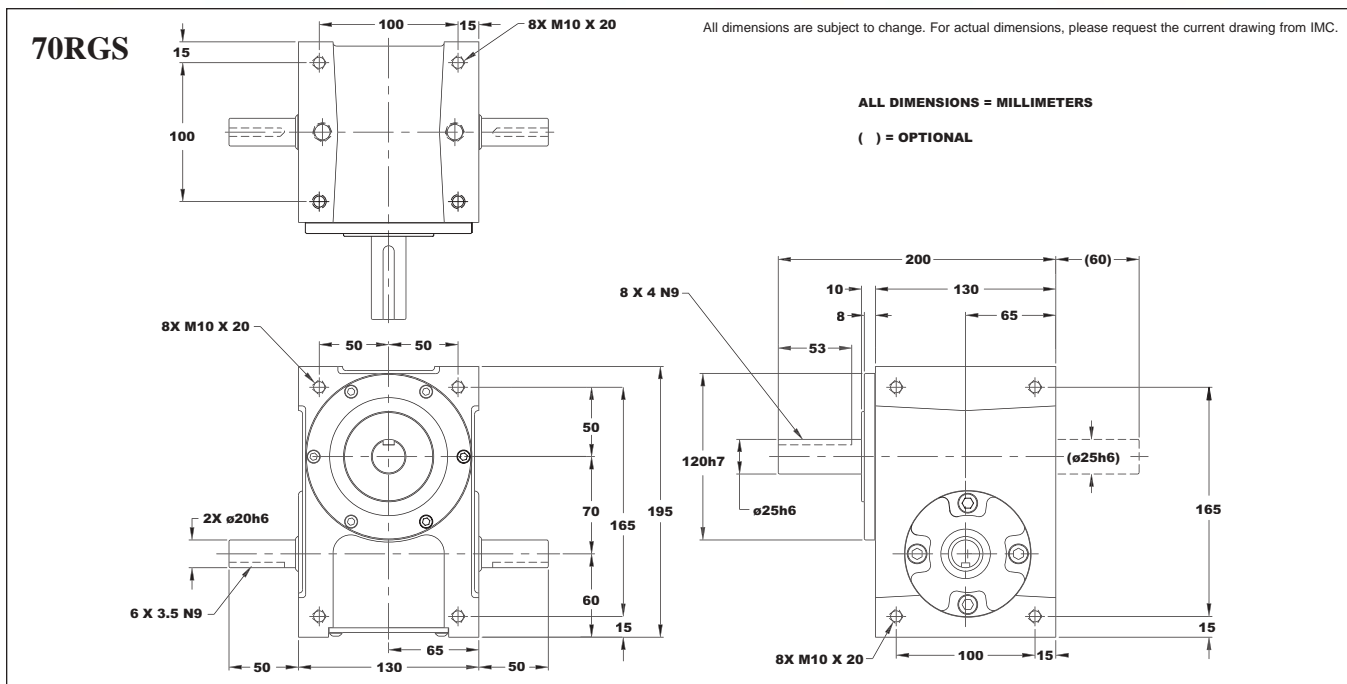
Other Motions (stops and index periods) available. Contact your IMC sales representative for more information.

## Technical Specifications

### Output Load Capacity – loads carried during index

	RGD	RGS
Radial	2833 lbs	1019 lbs
Thrust/Axial	2224 lbs	802 lbs
Moment	3626 in-lbs	2808 in-lbs

Accuracy	±50 arcsec / ±.0008" at 3" Radius
Repeatability	±25 arcsec / ±.0003" at 3" Radius

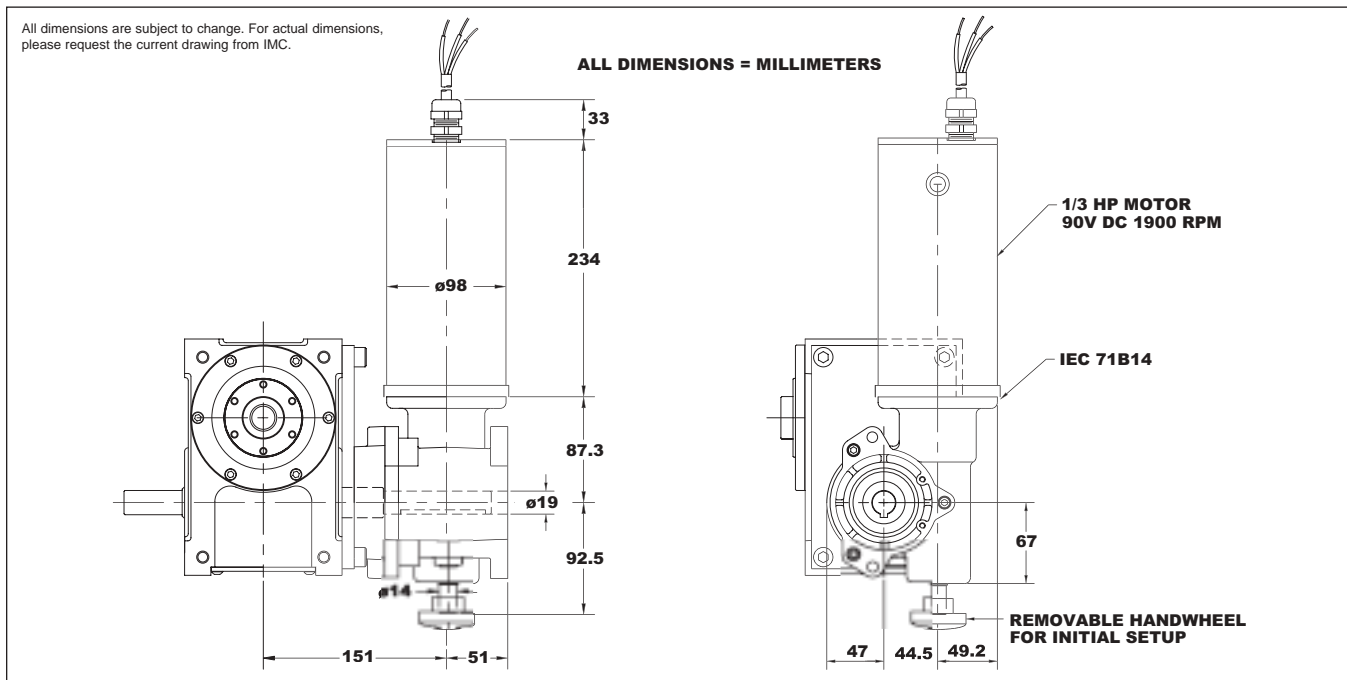


**Standard Features**

- ◆ Fully Metric
- ◆ Universal Mounting: mounting holes on any of 6 sides
- ◆ Center Through Hole (.75 in / 19 mm Diameter) in RGD version.
- ◆ Right Hand Cam

**Accessories and Options**

- ◆ R180 Reducer (Ratios from 5:1 to 60:1)
- ◆ 1/3 hp DC Motor with Varipak DC Motor Control (up to 30 cpm)
- ◆ 1/3 hp AC Drive Package with Inverter Duty Motor and Inverter Drive (up to 60 cpm)
- ◆ Single or Dual Cycle Cam and Limit Switch
- ◆ Output Overload Clutch Models: M70F, M70FC, M70S and M70C
  - Available Settings: 400, 600, 700, 850, 1000 in-lb or 45, 7, 80, 95, 115 Nm
- ◆ Left Hand Cam
- ◆ Relief in Dwell for shot-pin applications

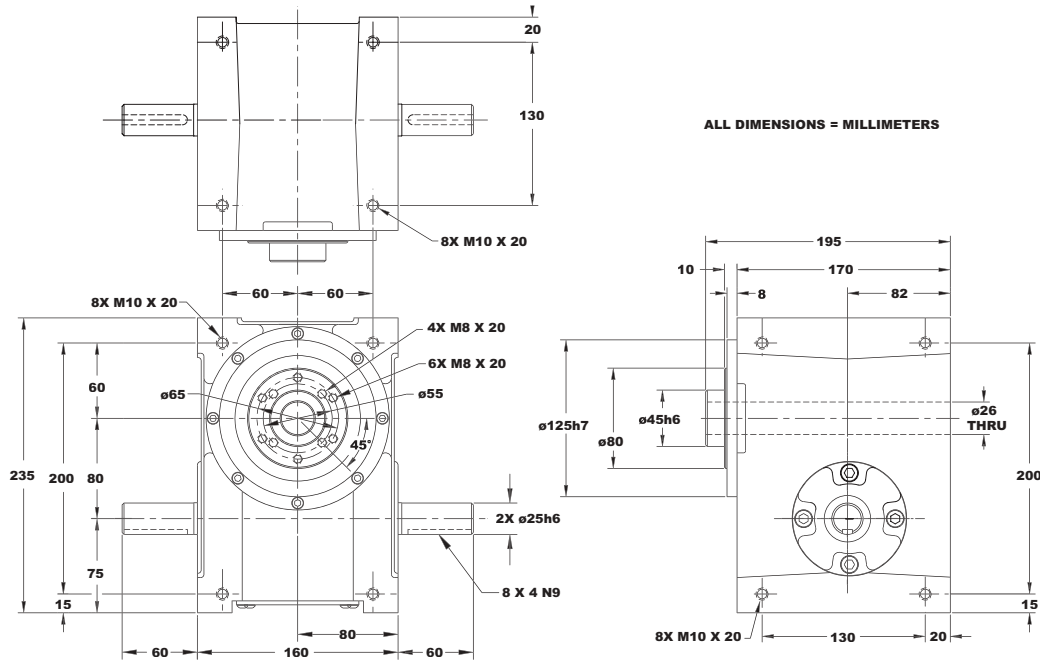




# 80RGD/80RGS

## 80RGD

All dimensions are subject to change. For actual dimensions, please request the current drawing from IMC.



### 80RGD/RGS Indexer Capacities

Stops (S)	Index Period (β)	Motion	B <sub>10</sub> Capacity at 50 RPM (in-lb)	RGD Internal Inertia (lb-in <sup>2</sup> )	RGS Internal Inertia (lb-in <sup>2</sup> )	Model*
2	330	ms	1144	16	17	80RG(D/S)2H24-330
	300	ms	1153	16	17	80RG(D/S)2H24-300
	270	msc.33	1388	16	17	80RG(D/S)2H24-270
3	270	ms	1422	16	17	80RG(D/S)3H24-270
	180	ms	1513	16	17	80RG(D/S)3H24-180
4	270	ms	1663	21	21	80RG(D/S)4H24-270
	180	msc.33	2377	21	21	80RG(D/S)4H24-180
6	270	ms	1524	18	19	80RG(D/S)6H28-270
	180	ms	1714	18	19	80RG(D/S)6H28-180
	120	ms	1823	18	19	80RG(D/S)6H28-120
	90	msc.50	2323	18	19	80RG(D/S)6H28-90
8	270	ms	1733	21	21	80RG(D/S)8H24-270
	180	ms	2072	21	21	80RG(D/S)8H24-180
	120	ms	2388	21	21	80RG(D/S)8H24-120
	90	msc.33	2937	21	21	80RG(D/S)8H24-90
12	270	ms	1011	20	20	80RG(D/S)12H18-270
	180	ms	1135	20	20	80RG(D/S)12H18-180
	120	msc.33	1420	20	20	80RG(D/S)12H18-120
	90	msc.60	1725	20	20	80RG(D/S)12H18-90

\* Specify "D" for Dial (Flange) Output or "S" for Shaft Output.

Other Motions (stops and index periods) available. Contact your IMC sales representative for more information.

### Technical Specifications

#### Output Load Capacity – loads carried during index

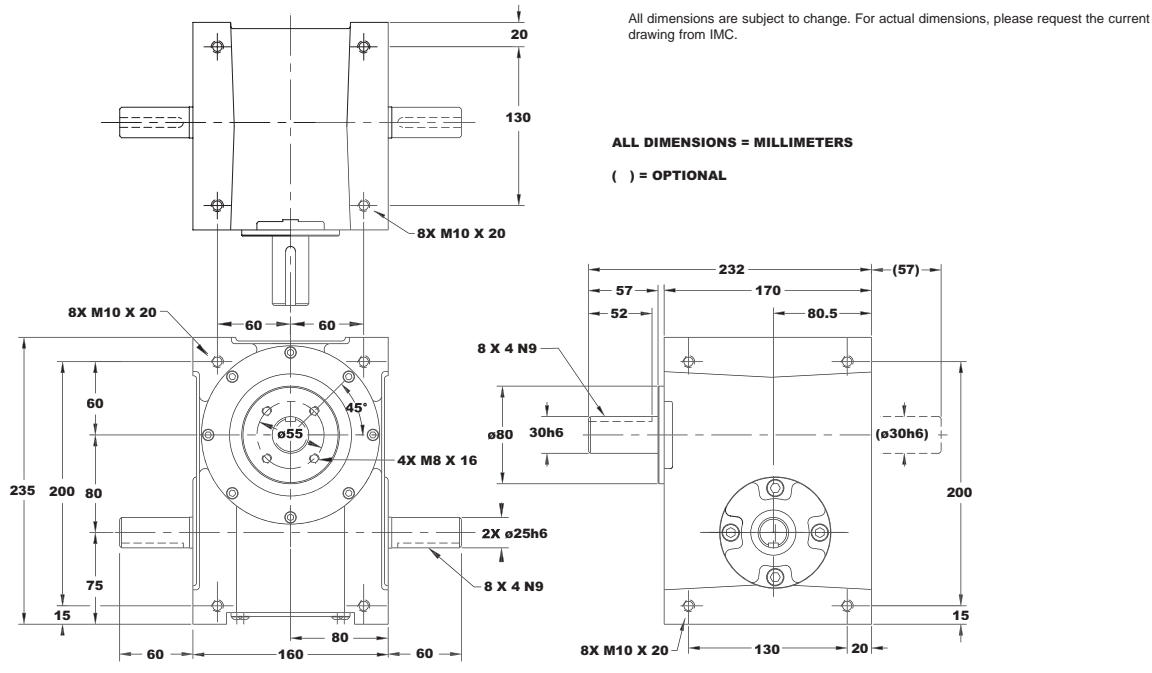
	RGD	RGS
Radial	4790 lbs	2162 lbs
Thrust/Axial	3470 lbs	1246 lbs
Moment	7544 in-lbs	4853 in-lbs

**Accuracy** ±45 arcsec / ±.0007" at 3" Radius

**Repeatability** ±24 arcsec / ±.0004" at 3" Radius



# 80RGS



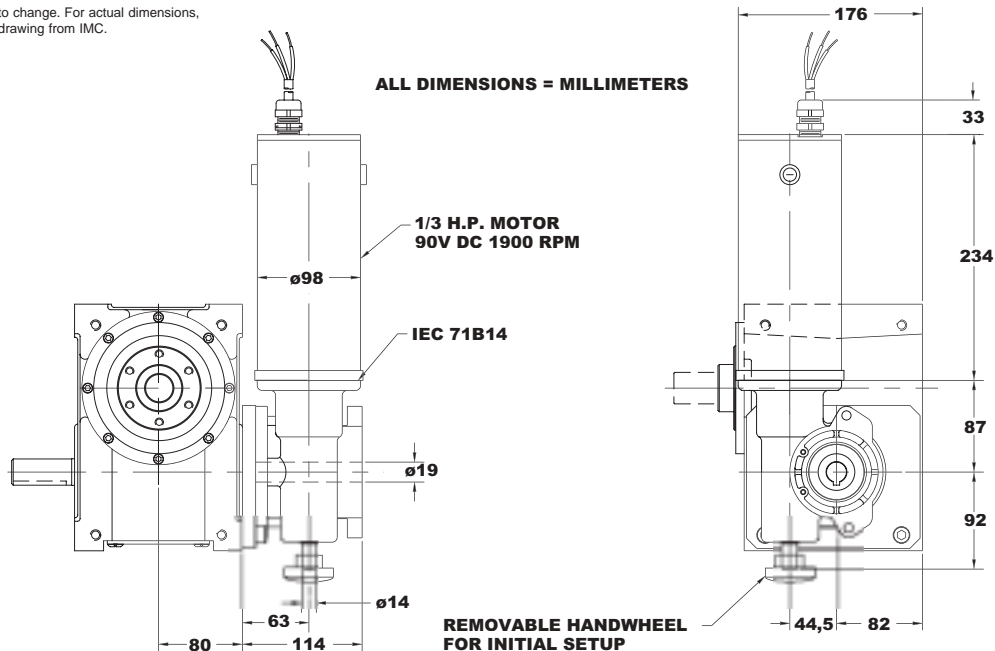
## Standard Features

- ◆ Fully Metric
- ◆ Universal Mounting: mounting holes on any of 6 sides
- ◆ Center Through Hole (1.02 in. / 26 mm) in RGD version.
- ◆ Right Hand Cam

## Accessories and Options

- ◆ R180 Reducer (Ratios from 5:1 to 60:1)
- ◆ 1/3 hp DC Motor with Varipak DC Motor Control (up to 30 cpm)
- ◆ 1/3 hp AC Drive Package with Inverter Duty Motor and Inverter Drive (up to 60 cpm)
- ◆ Single or Dual Cycle Cam and Limit Switch
- ◆ Output Overload Clutch Models: M80F, M80FC, M80S and M80C
  - Available Settings: 400, 600, 700, 850, 1000, 1300 in-lb or 45, 7, 80, 95, 115, 145 Nm
- ◆ Left Hand Cam
- ◆ Relief in Dwell for shot-pin applications

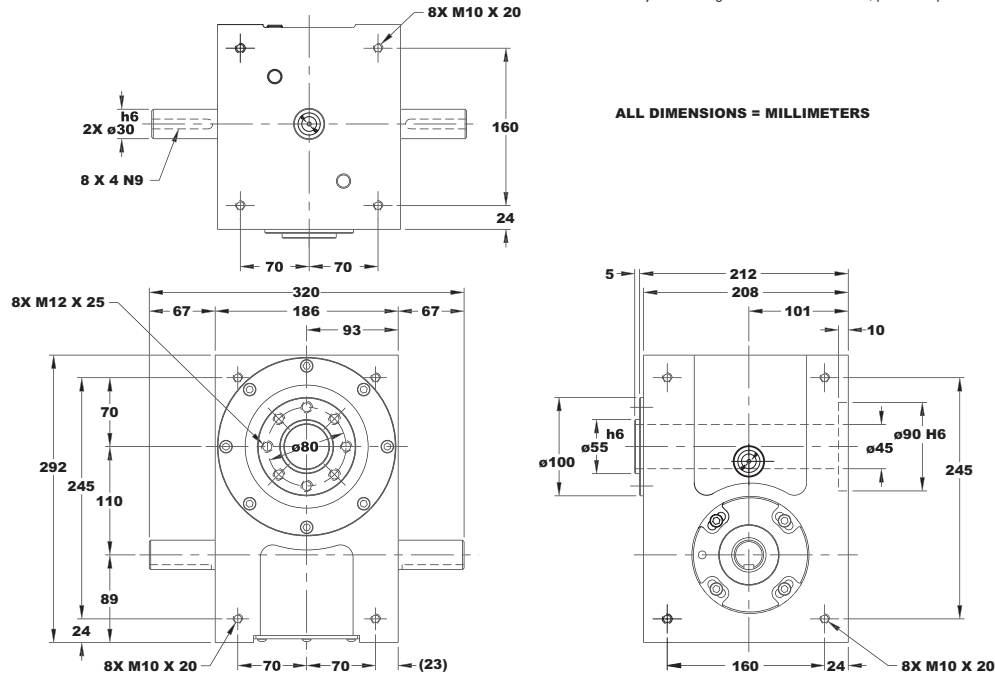
All dimensions are subject to change. For actual dimensions, please request the current drawing from IMC.



# 110RGD/110RGS

## 110RGD

All dimensions are subject to change. For actual dimensions, please request the current drawing from IMC.



### 110RGD/RGS Indexer Capacities

Stops (S)	Index Period (β)	Motion	B <sub>10</sub> Capacity at 50 RPM (in-lb)	RGD Internal Inertia (lb-in <sup>2</sup> )	RGS Internal Inertia (lb-in <sup>2</sup> )	Model*
2	300	msc.33	5271	51	56	110RG(D/S)2H40-300
	270	msc.50	6126	51	56	110RG(D/S)2H40-270
3	270	ms	5609	51	56	110RG(D/S)3H40-270
	180	msc.50	7829	51	56	110RG(D/S)3H40-180
4	270	ms	3282	48	55	110RG(D/S)4H32-270
	180	msc.33	4147	48	55	110RG(D/S)4H32-180
6	270	ms	7378	52	70	110RG(D/S)6H48-270
	180	msc.33	9342	52	70	110RG(D/S)6H48-180
	120	msc.33	8127	51	56	110RG(D/S)6H40-120
8	270	ms	3440	48	55	110RG(D/S)8H32-270
	180	ms	3823	48	55	110RG(D/S)8H32-180
	120	ms	4149	48	55	110RG(D/S)8H32-120
12	270	ms	2815	47	55	110RG(D/S)12H28-270
	180	ms	3157	47	55	110RG(D/S)12H28-180
	120	ms	3367	45	51	110RG(D/S)12H24-120
16	270	ms	1610	45	53	110RG(D/S)16H20-270
	180	ms	1807	45	53	110RG(D/S)16H20-180
	120	ms	1992	45	53	110RG(D/S)16H20-120
24	270	ms	3650	45	51	110RG(D/S)24H24-270 II
	180	ms	4134	45	51	110RG(D/S)24H24-180 II

\* Specify "D" for Dial (Flange) Output or "S" for Shaft Output.

Other Motions (stops and index periods) available. Contact your IMC sales representative for more information.

### Technical Specifications

#### Output Load Capacity – loads carried during index

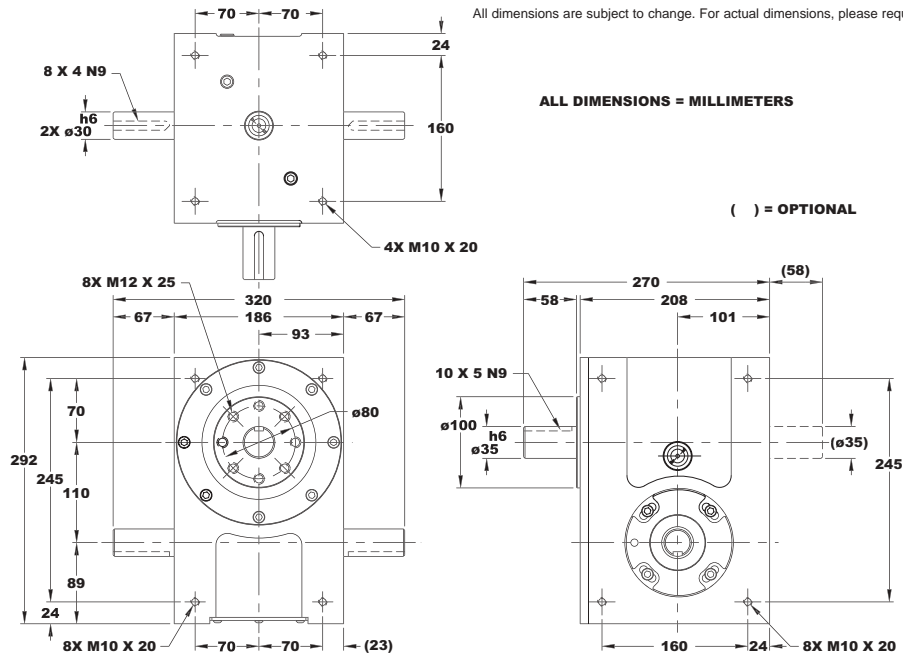
	RGD	RGS
Radial	5613 lbs	3375 lbs
Thrust/Axial	4411 lbs	2053 lbs
Moment	11050 in-lbs	7706 in-lbs

**Accuracy** ±30 arcsec / ±.0009" at 6" Radius

**Repeatability** ±15 arcsec / ±.0004" at 6" Radius

# 110RGS

All dimensions are subject to change. For actual dimensions, please request the current drawing from IMC.



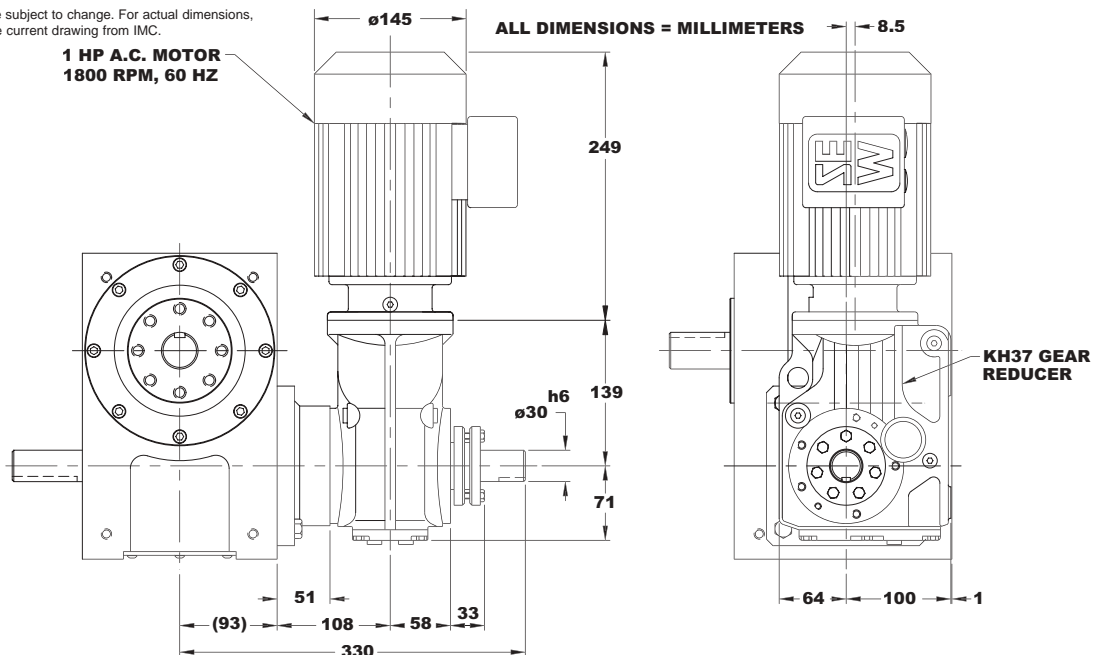
## Standard Features

- ◆ Fully Metric
- ◆ Universal Mounting: mounting holes on any of 6 sides
- ◆ Center Through Hole (1.77 in. / 45 mm Diameter) in RGD version.
- ◆ Right Hand Cam

## Accessories and Options

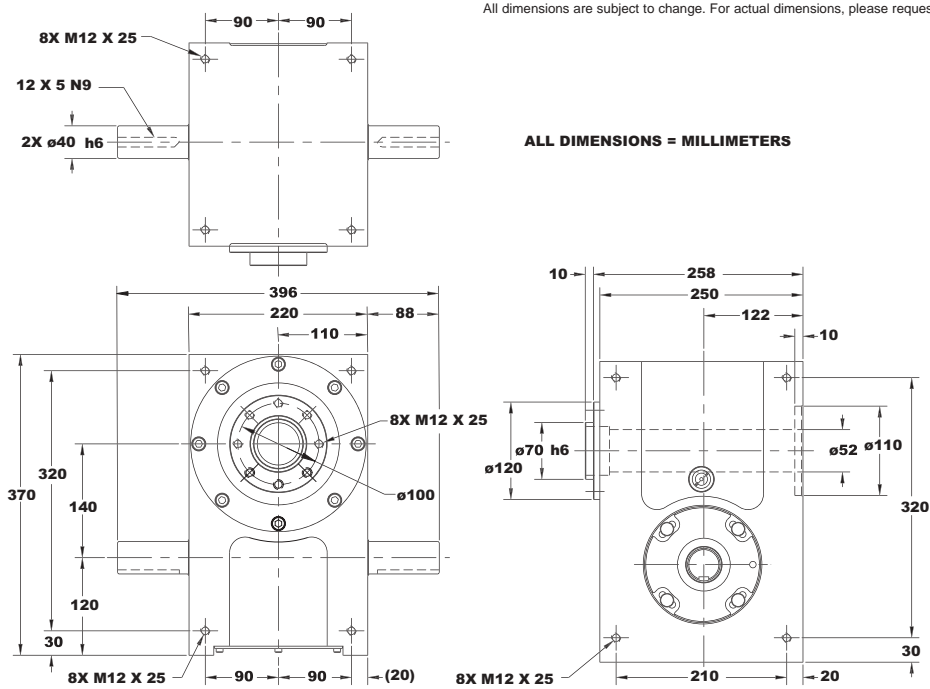
- ◆ KH37 Reducer
  - Ratios from 5.36:1 to 106.38:1 (consult factory for exact ratios available)
  - 1 hp AC Drive Package with Inverter Duty Motor and Inverter Drive (up to 60 cpm)
- ◆ Single or Dual Cycle Cam and Limit Switch
- ◆ Left Hand Cam
- ◆ Relief in Dwell for shot-pin applications

All dimensions are subject to change. For actual dimensions, please request the current drawing from IMC.



# 140RGD/140RGS

## 140RGD



## 140RGD/RGS Indexer Capacities

Stops (S)	Index Period (β)	Motion	B <sub>10</sub> Capacity at 50 RPM (in-lb)	RGD Internal Inertia (lb-in <sup>2</sup> )	RGS Internal Inertia (lb-in <sup>2</sup> )	Model*
2	300	msc.33	7979	163	163	140RG(D/S)2H48-300
3	270	ms	8434	163	163	140RG(D/S)3H48-270
	180	msc.50	11989	163	163	140RG(D/S)3H48-180
4	270	ms	7577	153	153	140RG(D/S)4H40-270
	180	msc.33	10151	153	153	140RG(D/S)4H40-180
6	270	ms	8924	163	163	140RG(D/S)6H48-270
	180	ms	10156	163	163	140RG(D/S)6H48-180
	120	ms	10906	163	163	140RG(D/S)6H48-120
8	270	ms	7929	153	153	140RG(D/S)8H40-270
	180	ms	9175	153	153	140RG(D/S)8H40-180
	120	ms	10184	153	153	140RG(D/S)8H40-120
12	270	ms	4516	147	147	140RG(D/S)12H32-270
	180	ms	5067	147	147	140RG(D/S)12H32-180
	120	ms	5834	147	147	140RG(D/S)12H32-120
16	270	ms	3617	154	154	140RG(D/S)16H24-270
	180	ms	4169	154	154	140RG(D/S)16H24-180
	120	ms	4793	154	154	140RG(D/S)16H24-120
24	270	ms	6185	147	147	140RG(D/S)24H32-270 II
	180	ms	7011	147	147	140RG(D/S)24H32-180 II
	120	ms	7793	147	147	140RG(D/S)24H32-120 II

\* Specify "D" for Dial (Flange) Output or "S" for Shaft Output.

Other Motions (stops and index periods) available. Contact your IMC sales representative for more information.

## Technical Specifications

**Output Load Capacity – loads carried during index**

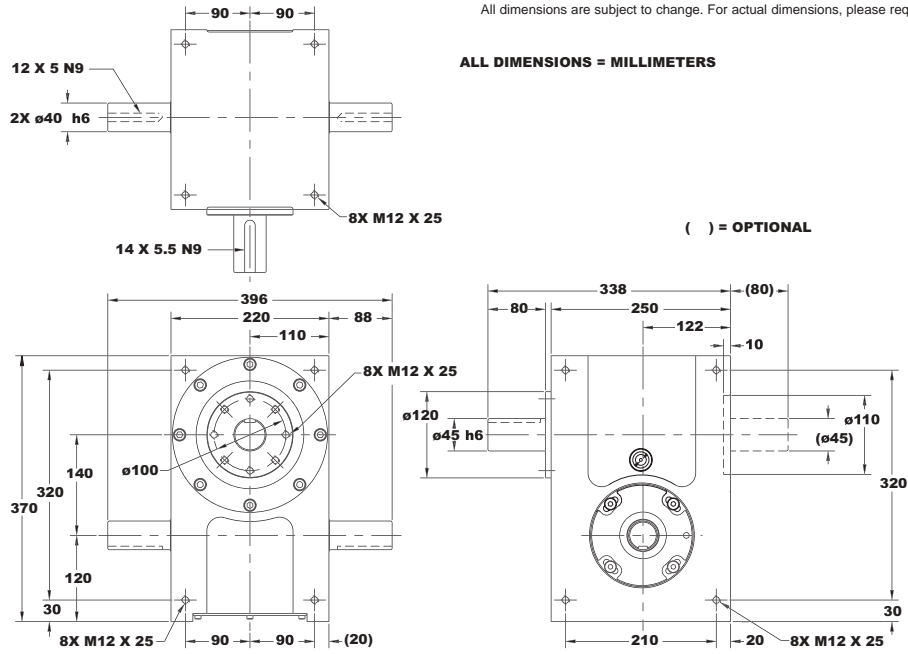
	RGD	RGS
Radial	8447 lbs	4727 lbs
Thrust/Axial	6629 lbs	2342 lbs
Moment	19953 in-lbs	16378 in-lbs

**Accuracy** ±25 arcsec / ±.0007" at 6" Radius

**Repeatability** ±12 arcsec / ±.0004" at 6" Radius

# 140RGS

All dimensions are subject to change. For actual dimensions, please request the current drawing from IMC.

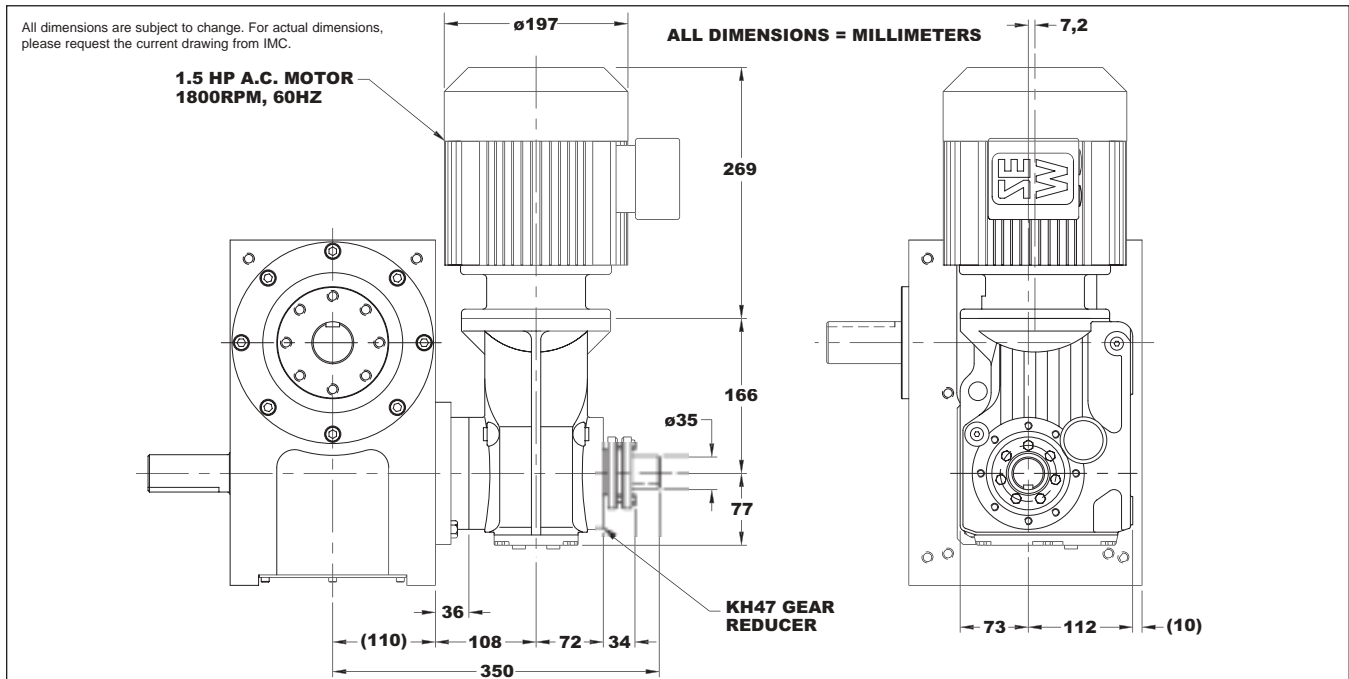


## Standard Features

- ◆ Fully Metric
- ◆ Universal Mounting: mounting holes on any of 6 sides
- ◆ Center Through Hole (2.05 in. / 52 mm Diameter) in RGD version.
- ◆ Right Hand Cam

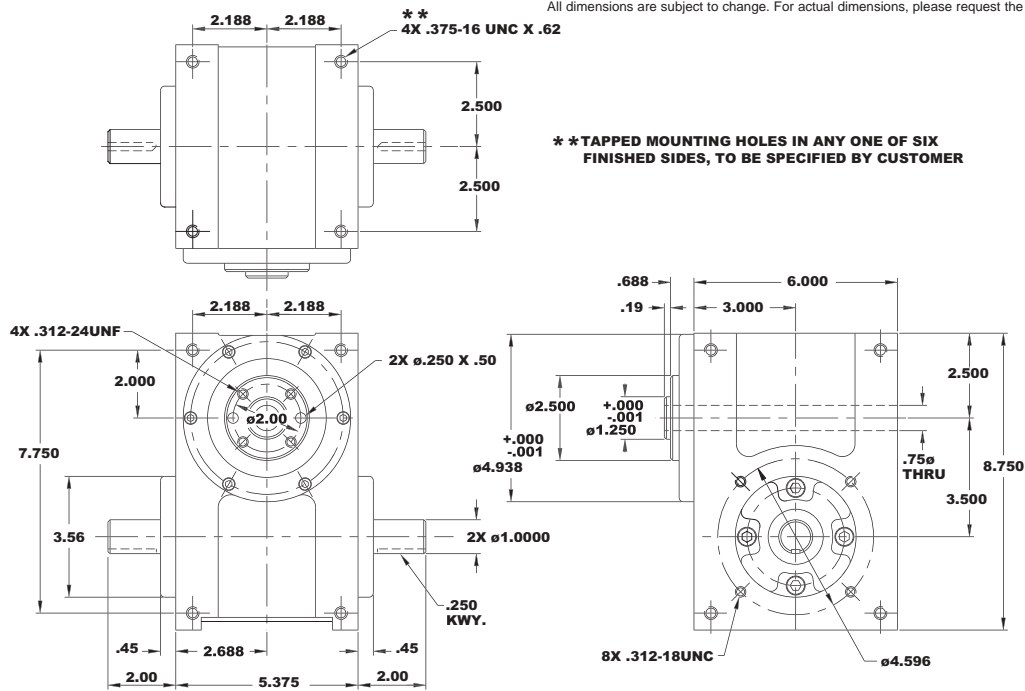
## Accessories and Options

- ◆ KH47 Reducer
  - Ratios from 6.58:1 to 131.87:1 (consult factory for exact ratios available)
  - 1 or 1.5 hp AC Drive Package with Inverter Duty Motor and Inverter Drive (up to 60 cpm)
- ◆ Single or Dual Cycle Cam and Limit Switch
- ◆ Left Hand Cam
- ◆ Relief in Dwell for shot-pin applications



# 350RGD/350RGS

## 350RGD



## 350RGD/RGS Indexer Capacities

Stops (S)	Index Period (β)	Motion	B <sub>10</sub> Capacity at 50 RPM (in-lb)	RGD Internal Inertia (lb-in <sup>2</sup> )	RGS Internal Inertia (lb-in <sup>2</sup> )	Model*
1	330	msc.50	1774	7.7	9.7	350RG(D/S)1H24-330
2	270	ms	1244	7.7	9.7	350RG(D/S)2H24-270
	180	msc.67	2047	7.7	9.7	350RG(D/S)2H24-180
3	270	ms	1530	7.7	9.7	350RG(D/S)3H24-270
	180	ms	1601	7.7	9.7	350RG(D/S)3H24-180
	300	ms	1701	8.1	10.1	350RG(D/S)4H24-300
4	270	ms	1767	8.1	10.1	350RG(D/S)4H24-270
	180	ms	2001	8.1	10.1	350RG(D/S)4H24-180
	270	ms	1615	7.7	9.7	350RG(D/S)6H24-270
6	180	ms	1791	7.7	9.7	350RG(D/S)6H24-180
	120	ms	1972	7.7	9.7	350RG(D/S)6H24-120
	90	ms	2063	7.7	9.7	350RG(D/S)6H24-90
8	270	ms	1840	8.1	10.1	350RG(D/S)8H24-270
	180	ms	2184	8.1	10.1	350RG(D/S)8H24-180
	120	ms	2532	8.1	10.1	350RG(D/S)8H24-120
12	90	ms	2716	8.1	10.1	350RG(D/S)8H24-90
	270	ms	1132	7.9	9.9	350RG(D/S)12H20-270
	180	ms	1269	7.9	9.9	350RG(D/S)12H20-180
12	120	ms	1396	7.9	9.9	350RG(D/S)12H20-120
	90	ms	1476	7.9	9.9	350RG(D/S)12H20-90

\* Specify "D" for Dial (Flange) Output or "S" for Shaft Output.

Other Motions (stops and index periods) available. Contact your IMC sales representative for more information.

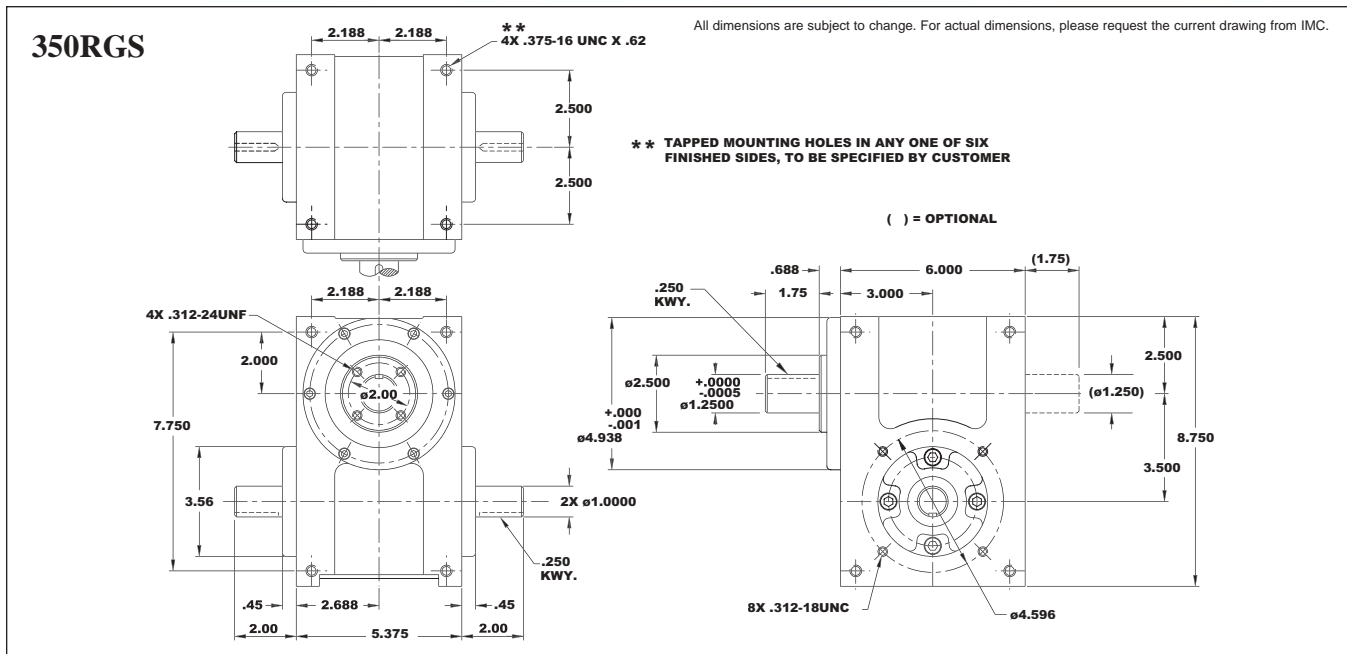
## Technical Specifications

### Output Load Capacity – loads carried during index

	RGD	RGS
Radial	1935 lbs	3287 lbs
Thrust/Axial	1406 lbs	786 lbs
Moment	2419 in-lbs	5752 in-lbs

**Accuracy** ±41 arcsec / ±.0012" at 6" Radius

**Repeatability** ±21 arcsec / ±.0006" at 6" Radius

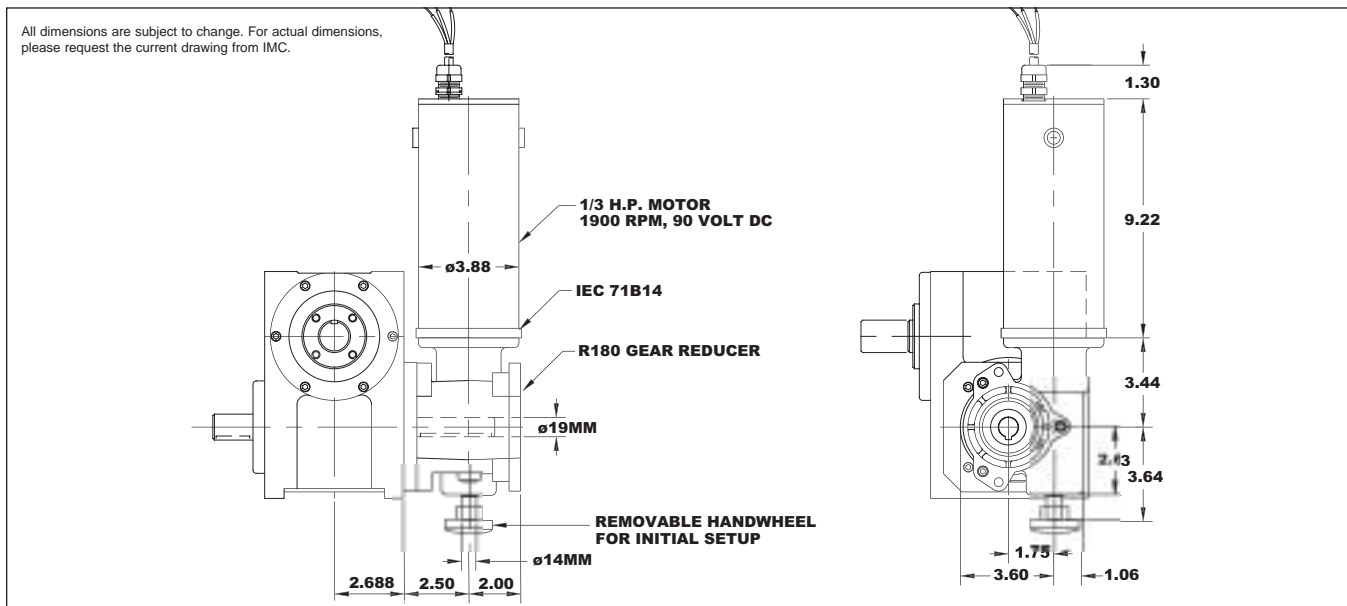


**Standard Features**

- ◆ Universal Mounting: mounting holes on any of 6 sides
- ◆ Right Hand Cam Standard
- ◆ Center Through Hole (.75 in. Diameter) in RGD version.

**Accessories and Options**

- ◆ R180 Reducer (Ratios from 5:1 to 60:1)
  - 1/3 hp DC Motor with Varipak DC Motor Control (up to 30 cpm)
  - 1/3 hp AC Drive Package with Inverter Duty Motor and Inverter Drive (up to 60 cpm)
- ◆ R225 Reducer (Ratios from 5:1 to 60:1)
  - 56C Motor Adapter and Coupling
  - 1 hp DC Motor with Varipak DC Motor Control (up to 30 cpm)
  - 1 hp AC Drive Package with Inverter Duty Motor and Inverter Drive (up to 60 cpm)
- ◆ Single or Dual Cycle Cam and Limit Switch
- ◆ Output Overload Clutch Models: 2.3F, 2.3FC, 2.3S and 2.3C
  - Settings (in-lbs): 400, 600, 700, 850, 1000, 1300, 1800, 2000, 2300
- ◆ Relief in Dwell for shot-pin applications
- ◆ Electric Clutch-Brake
- ◆ Air Clutch-Brake (with R225 Reducer only)
- ◆ Left Hand Cam
- ◆ Relief in Dwell for shot-pin applications

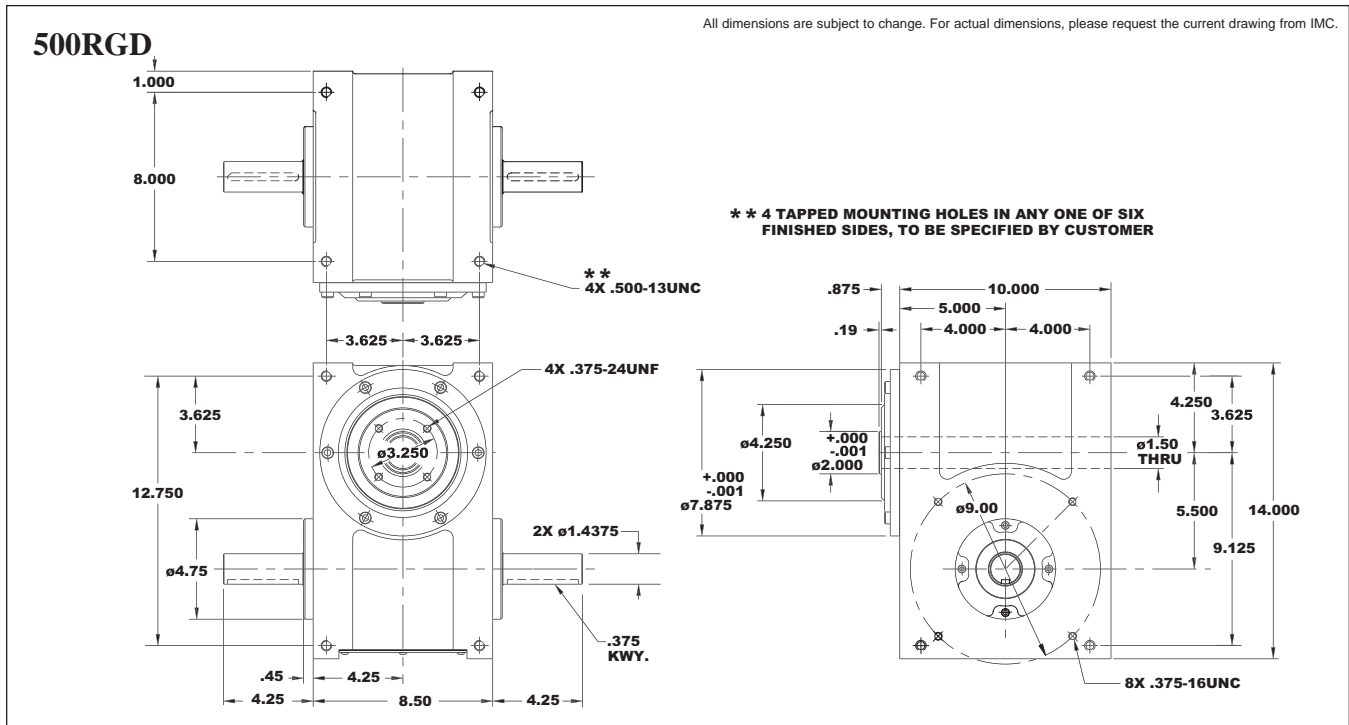




# 500RGD/500RGS

D

All dimensions are subject to change. For actual dimensions, please request the current drawing from IMC.



500RGD/RGS Indexer Capacities						
Stops (S)	Index Period (β)	Motion	B <sub>10</sub> Capacity at 50 RPM (in-lb)	RGD Internal Inertia (lb-in <sup>2</sup> )	RGS Internal Inertia (lb-in <sup>2</sup> )	Model*
1	330	msc.60	6767	62	45	500RG(D/S)1H40-330
2	270	ms	4400	62	45	500RG(D/S)2H40-270
3	270	ms	5265	62	45	500RG(D/S)3H40-270
	180	ms	5706	62	45	500RG(D/S)3H40-180
4	270	ms	6121	66	48	500RG(D/S)4H40-270
	180	ms	6971	66	48	500RG(D/S)4H40-180
	120	msc.20	3892	60	42	500RG(D/S)4H32-120
6	270	ms	5464	62	45	500RG(D/S)6H40-270
	180	ms	6091	62	45	500RG(D/S)6H40-180
	120	ms	6641	62	45	500RG(D/S)6H40-120
	90	ms	6909	62	45	500RG(D/S)6H40-90
8	270	ms	6151	66	48	500RG(D/S)8H40-270
	180	ms	7006	66	48	500RG(D/S)8H40-180
	120	ms	7726	66	48	500RG(D/S)8H40-120
	90	ms	8219	66	48	500RG(D/S)8H40-90
12	270	ms	2616	58	40	500RG(D/S)12H28-270
	180	ms	2960	58	40	500RG(D/S)12H28-180
	120	ms	3241	58	40	500RG(D/S)12H28-120
	90	ms	3449	58	40	500RG(D/S)12H28-90

\* Specify "D" for Dial (Flange) Output or "S" for Shaft Output.

Other Motions (stops and index periods) available. Contact your IMC sales representative for more information.

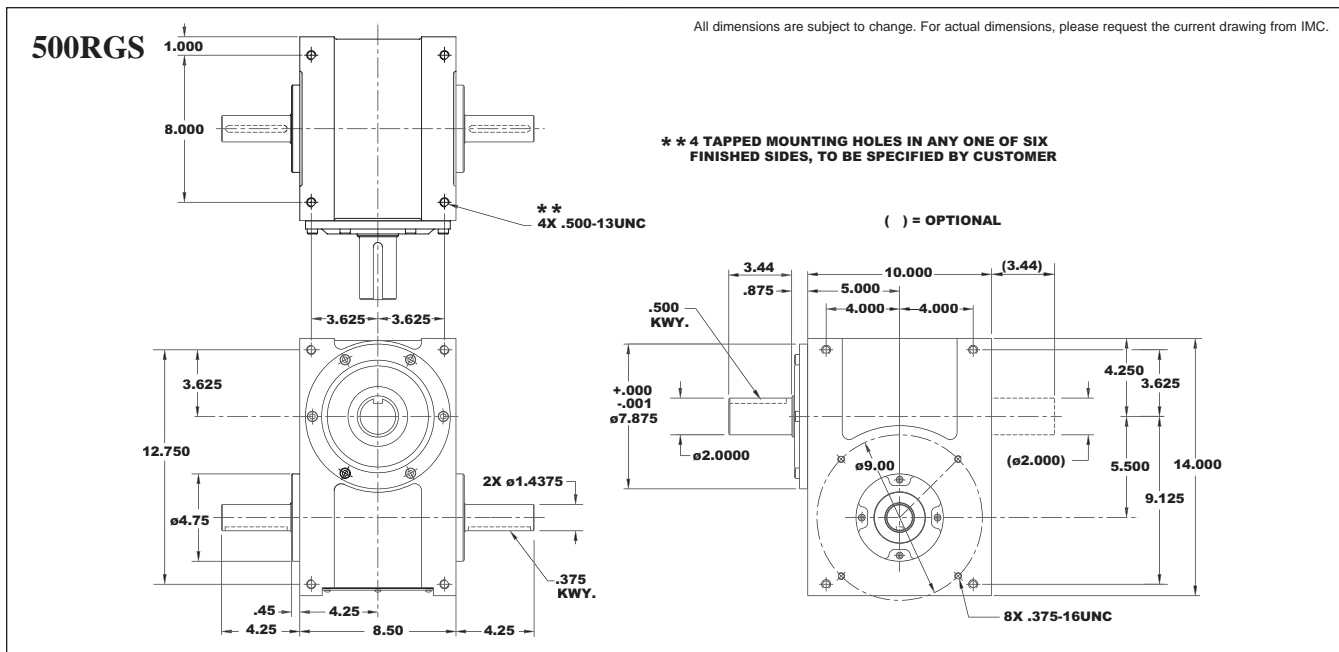
## Technical Specifications

**Output Load Capacity – loads carried during index**

	RGD	RGS
Radial	4004 lbs	6849 lbs
Thrust/Axial	2759 lbs	1433 lbs
Moment	8509 in-lbs	23562 in-lbs

**Accuracy** ±29 arcsec / ±.0008" at 6" Radius

**Repeatability** ±14 arcsec / ±.0004" at 6" Radius

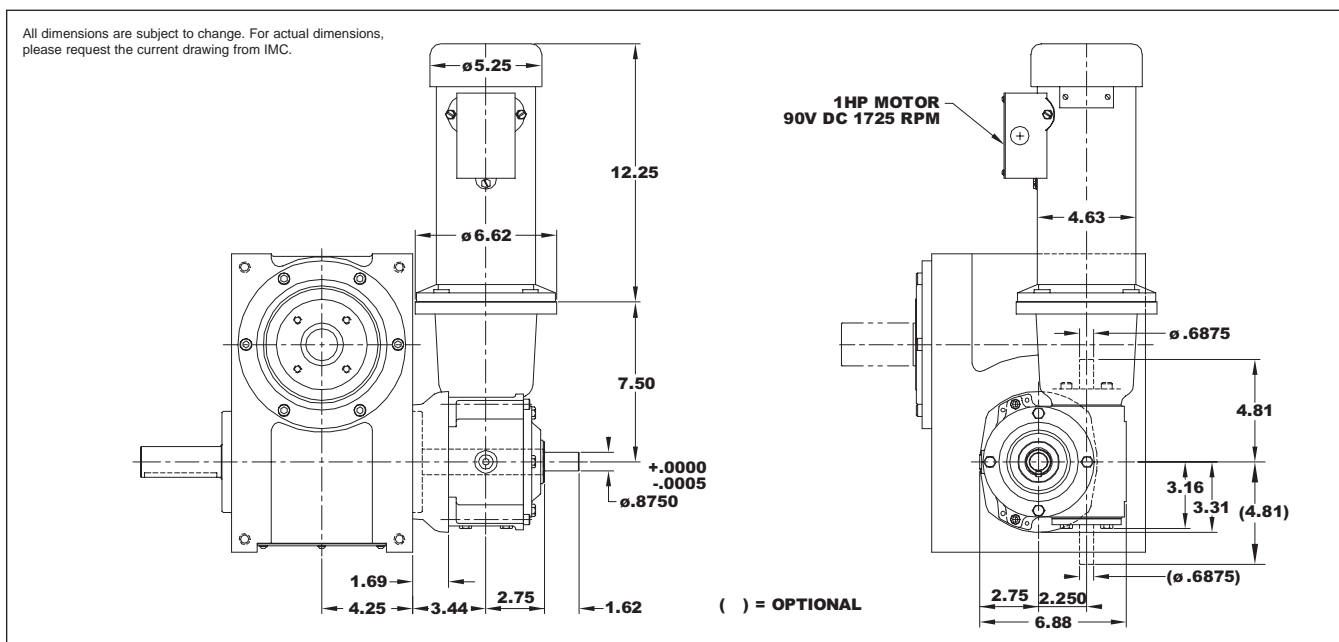


### Standard Features

- ◆ Universal Mounting: mounting holes on any of 6 sides
- ◆ Right Hand Cam Standard
- ◆ Center Through Hole (1.50 in. Diameter) in RGD version.

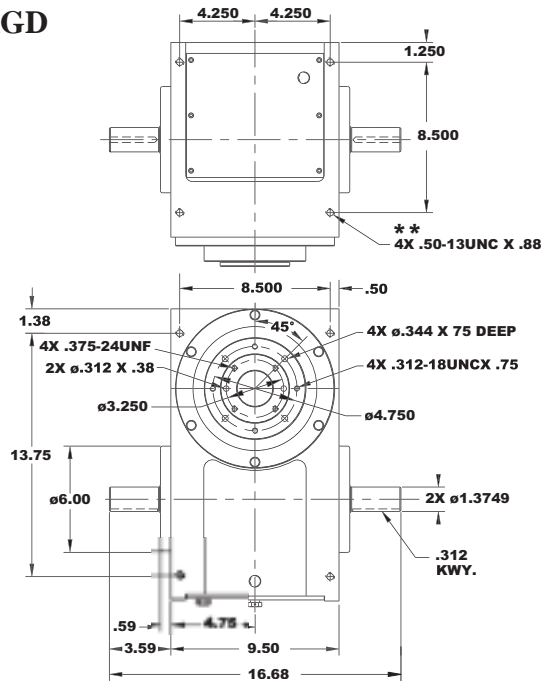
### Accessories and Options

- ◆ R225 Reducer (Ratios from 5:1 to 60:1)
  - 1 hp DC Motor with Varipak DC Motor Control (up to 30 cpm)
  - 1 hp AC Drive Package with Inverter Duty Motor and Inverter Drive (up to 60 cpm)
- ◆ Single or Dual Cycle Cam and Limit Switch
- ◆ Output Overload Clutch Models: 11S, 11C, 11F, 11C-SD, 11S-SD, 11FC-SD
  - Available Settings (in-lbs): 2300, 4000, 6000, 8500, 11000
- ◆ Left Hand Cam
- ◆ Relief in Dwell for shot-pin applications
- ◆ Electric Clutch-Brake
- ◆ Air Clutch-Brake
- ◆ Left Hand Cam
- ◆ Relief in Dwell for shot-pin applications



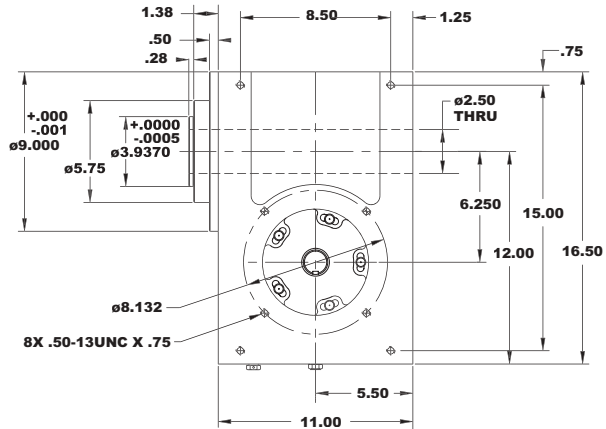
# 600RGD/600RGS

## 600RGD



All dimensions are subject to change. For actual dimensions, please request the current drawing from IMC.

**\*\* 4 TAPPED MOUNTING HOLES IN ANY ONE OF SIX FINISHED SIDES, TO BE SPECIFIED BY CUSTOMER**



## 600RGD/RGS Indexer Capacities

Stops (S)	Index Period (β)	Motion	B <sub>10</sub> Capacity at 50 RPM (in-lb)	RGD Internal Inertia (lb-in <sup>2</sup> )	RGS Internal Inertia (lb-in <sup>2</sup> )	Model*
2.0	300	ms	6516	256	137	600RG(D/S)2H48-300
3.0	270	ms	7955	256	137	600RG(D/S)3H48-270
	180	ms	8769	256	137	600RG(D/S)3H48-180
4.0	270	ms	6749	249	131	600RG(D/S)4H40-270
	180	ms	7477	249	131	600RG(D/S)4H40-180
6.0	270	ms	8286	256	137	600RG(D/S)6H48-270
	180	ms	9333	256	137	600RG(D/S)6H48-180
	120	ms	10286	256	137	600RG(D/S)6H48-120
	90	ms	10715	256	137	600RG(D/S)6H48-90
8.0	270	ms	6928	244	126	600RG(D/S)8H40-270
	180	ms	7747	244	126	600RG(D/S)8H40-180
	120	ms	8503	244	126	600RG(D/S)8H40-120
	90	ms	8936	244	126	600RG(D/S)8H40-90
12.0	270	ms	4091	244	126	600RG(D/S)12H32-270
	180	ms	4610	244	126	600RG(D/S)12H32-180
	120	ms	5096	244	126	600RG(D/S)12H32-120
	90	ms	5444	244	126	600RG(D/S)12H32-90
16.0	270	ms	9553	249	131	600RG(D/S)16H40-270 II
	120	ms	11684	249	131	600RG(D/S)16H40-120 II
	90	ms	12224	249	131	600RG(D/S)16H40-90 II

\* Specify "D" for Dial (Flange) Output or "S" for Shaft Output.

Other Motions (stops and index periods) available. Contact your IMC sales representative for more information.

## Technical Specifications

### Output Load Capacity – loads carried during index

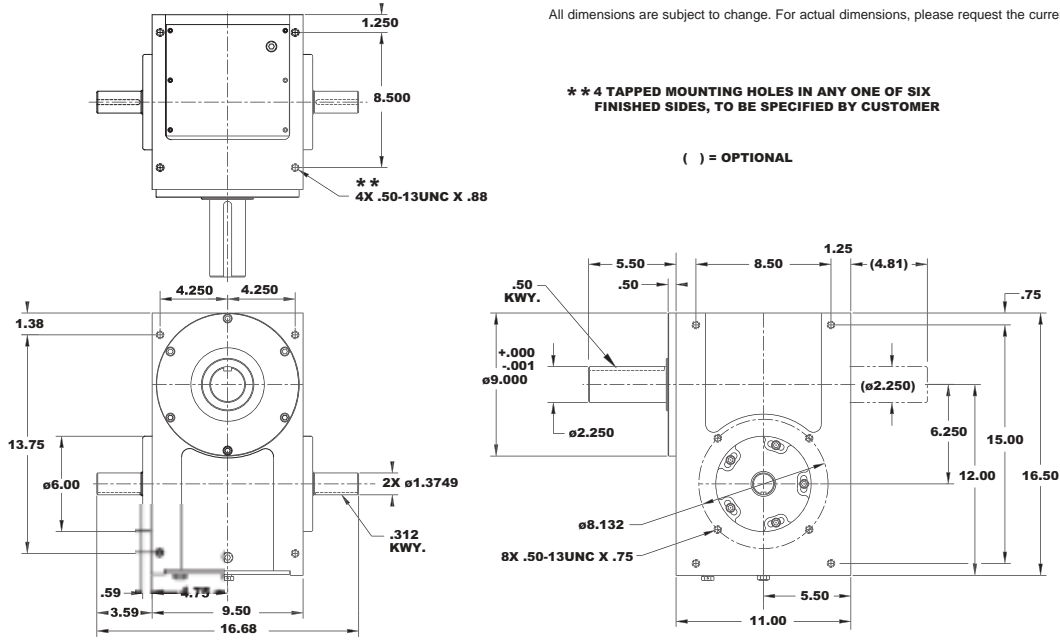
	RGD	RGS
Radial	5667 lbs	6960 lbs
Thrust/Axial	3528 lbs	3529 lbs
Moment	16292 in-lbs	33548 in-lbs

**Accuracy** ±40 arcsec / ±.0011" at 6" Radius

**Repeatability** ±20 arcsec / ±.0006" at 6" Radius

# 600RGS

All dimensions are subject to change. For actual dimensions, please request the current drawing from IMC.



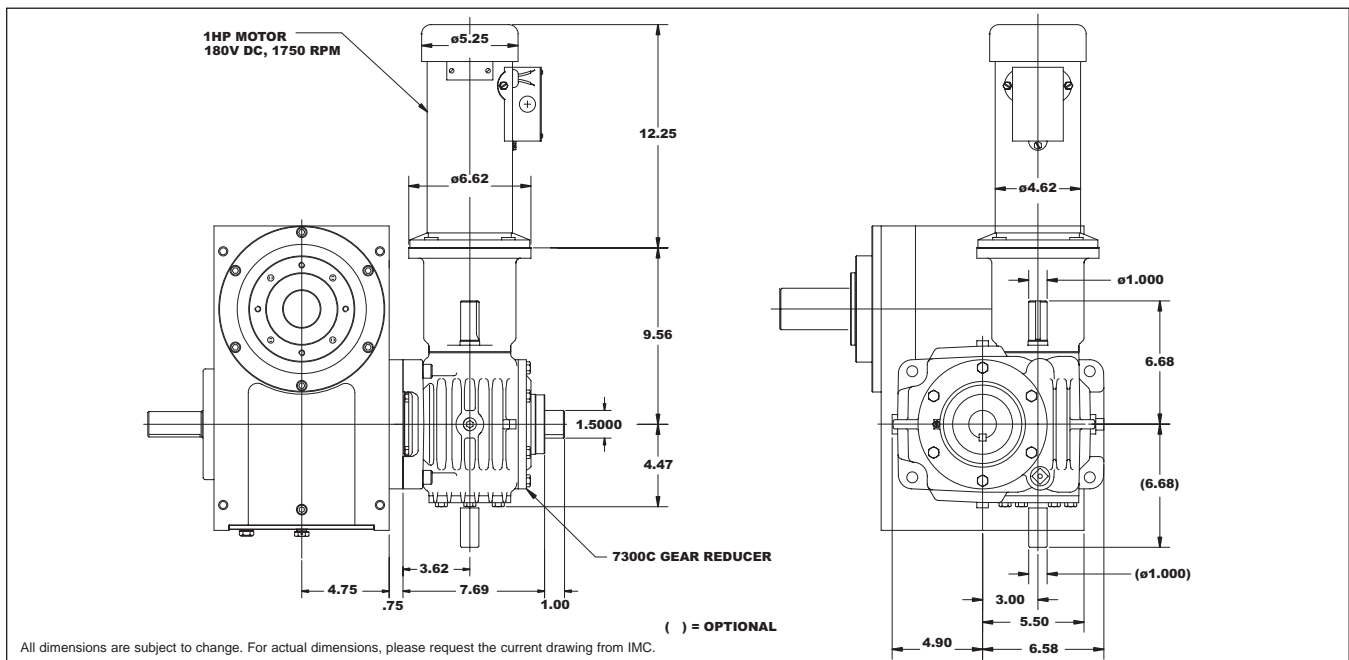
D

## Standard Features

- ◆ Universal Mounting: mounting holes on any of 6 sides
- ◆ Right Hand Cam Standard
- ◆ Center Through Hole (1.50 in. Diameter) in RGD version.

## Accessories and Options

- ◆ 7300C or 7350C Reducer (Ratios from 5:1 to 60:1)
- ◆ 1 or 2 hp DC Motor with Varipak DC Motor Control (up to 30 cpm)
- ◆ 1 or 2 hp AC Drive Package with Inverter Duty Motor and Inverter Drive (up to 60 cpm)
- ◆ Single or Dual Cycle Cam and Limit Switch
- ◆ Output Overload Clutch Models: 11FM, 11SM
  - Available Settings (in-lbs): 2300, 4000, 6000, 8500, 11000
- ◆ Left Hand Cam
- ◆ Relief in Dwell for shot-pin applications
- ◆ Electric Clutch-Brake
- ◆ Air Clutch-Brake
- ◆ Left Hand Cam
- ◆ Relief in Dwell for shot-pin applications

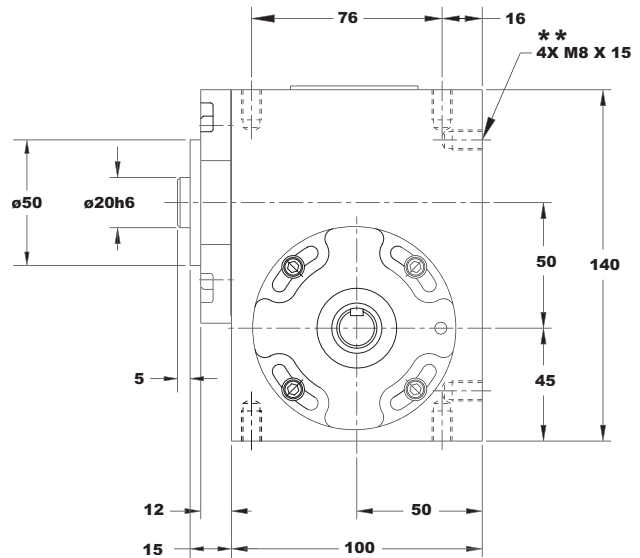
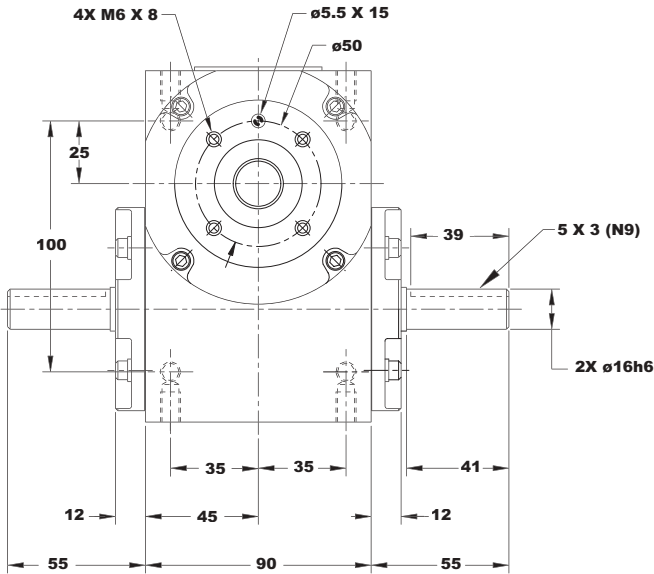


All dimensions are subject to change. For actual dimensions, please request the current drawing from IMC.

# FD100F/FD100S

## FD100F

All dimensions are subject to change. For actual dimensions, please request the current drawing from IMC.



\*\* 4 TAPPED MOUNTING HOLES IN ANY ONE OF THREE FINISH SIDES SHOWN, TO BE SPECIFIED BY CUSTOMER

### FD100F/FD100S Indexer Capacities

Stops (S)	Index Period (β)	Motion	B <sub>10</sub> Capacity at 50 RPM (in-lb)	Type "F" Internal Inertia (lb-in <sup>2</sup> )	Type "S" Internal Inertia (lb-in <sup>2</sup> )	Model*
2	315	msc.30	252	2.0	0.5	FD100(F/S)-6/3-F50-315 MSC.30
3	270	ms	262	2.0	0.5	FD100(F/S)-6/2-F50-270
	180	msc.30	120	2.0	0.5	FD100(F/S)-6/2-F39-180 MSC.30
4	270	ms	180	2.1	0.5	FD100(F/S)-8/2-F50-270
	180	ms	139	2.1	0.5	FD100(F/S)-8/2-F39-180
6	270	ms	333	2.0	0.5	FD100(F/S)-6-F50-270
	180	ms	294	2.0	0.5	FD100(F/S)-6-F50-180
	120	ms	241	2.0	0.5	FD100(F/S)-6-F50-120
	90	ms	117	2.0	0.4	FD100(F/S)-6-F39-90
8	270	ms	351	2.1	0.5	FD100(F/S)-8-F50-270
	180	ms	324	2.1	0.5	FD100(F/S)-8-F50-180
	120	ms	281	2.1	0.5	FD100(F/S)-8-F50-120
	90	ms	138	2.0	0.4	FD100(F/S)-8-F39-90
12	270	ms	197	2.0	0.5	FD100(F/S)-12-F39-270
	180	ms	190	2.0	0.5	FD100(F/S)-12-F39-180
	120	ms	179	2.0	0.5	FD100(F/S)-12-F39-120
16	270	ms	351	2.0	0.5	FD100(F/S)-8X2-F50-135/135
	180	ms	179	2.0	0.4	FD100(F/S)-8X2-F39-90/90
24	270	ms	197	2.0	0.5	FD100(F/S)-12X2-F39-135/135
	180	ms	190	2.0	0.5	FD100(F/S)-12X2-F39-90/90

\* Specify "F" for Flange (Dial) Output or "S" for Shaft Output

Other Motions (stops and index periods) available. Contact your IMC sales representative for more information.

### Technical Specifications

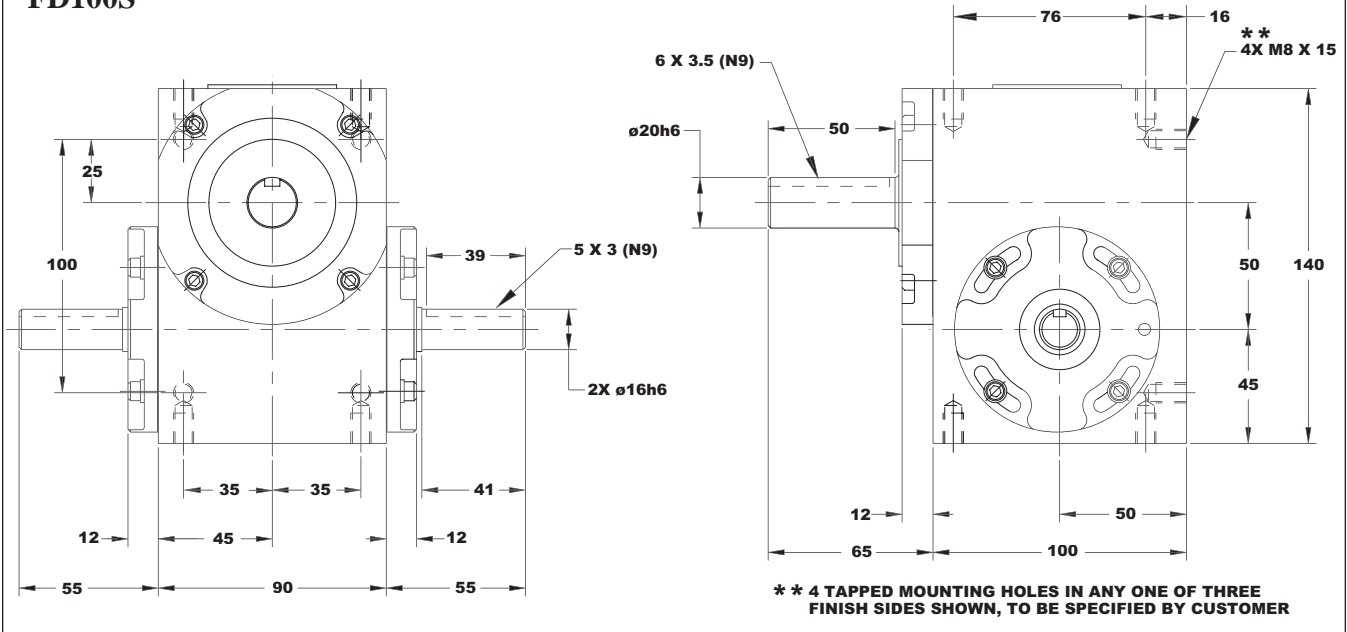
#### Output Load Capacity – loads carried during index

	F	S
Radial	1075 lbs	730 lbs
Thrust/Axial	620 lbs	514 lbs
Moment	1058 in-lbs	1438 in-lbs

Accuracy	±68 arcsec / ±.001" at 3" Radius
Repeatability	±34 arcsec / ±.0005" at 3" Radius

**FD100S**

All dimensions are subject to change. For actual dimensions, please request the current drawing from IMC.



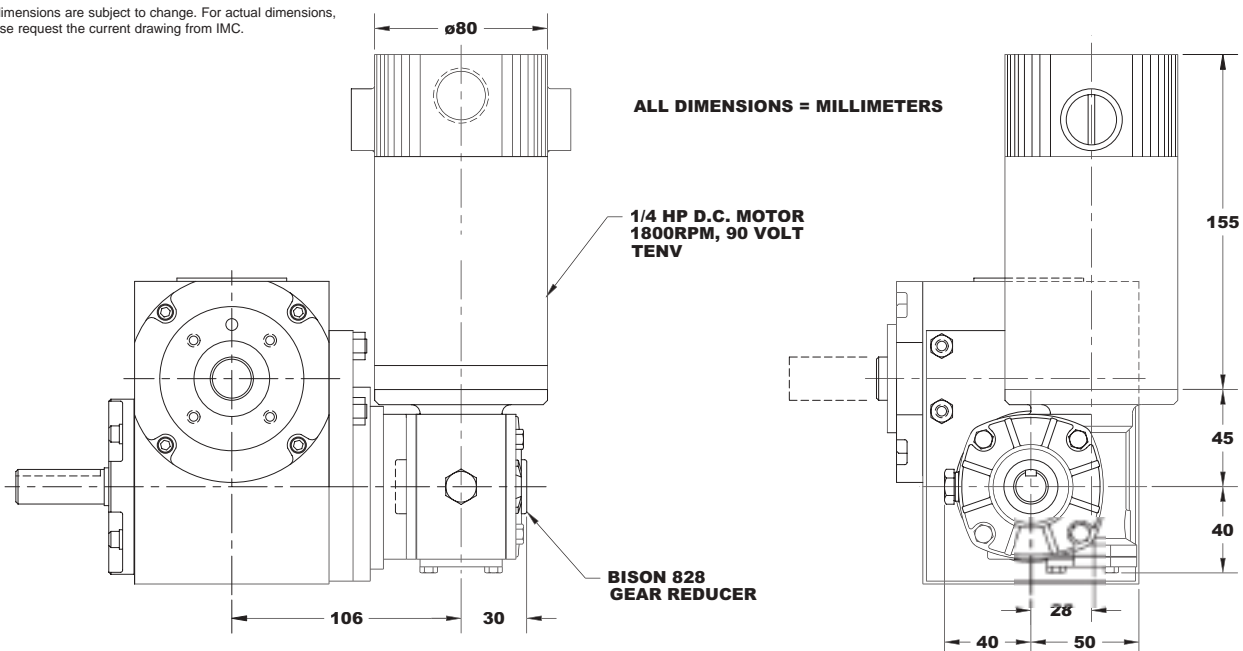
**Standard Features**

- ◆ Universal Mounting: mounting holes on any of 3 sides
- ◆ Right Hand Cam

**Accessories and Options**

- ◆ .25 hp DC Gearmotor Drive Package
  - Direct Drive or Belt Drive
  - Varipak DC Motor Control (up to 30 cpm)
- ◆ Output Overload Clutch Models: RT3 F/S, RT3 F/F, RT3DF
  - Available Settings (in-lb), Adjustable Ranges: 100-175, 175-275, 250-350, 325-500
- ◆ Single or Dual Cycle Cam and Limit Switch
- ◆ Left Hand Cam
- ◆ Relief in Dwell for shot-pin applications

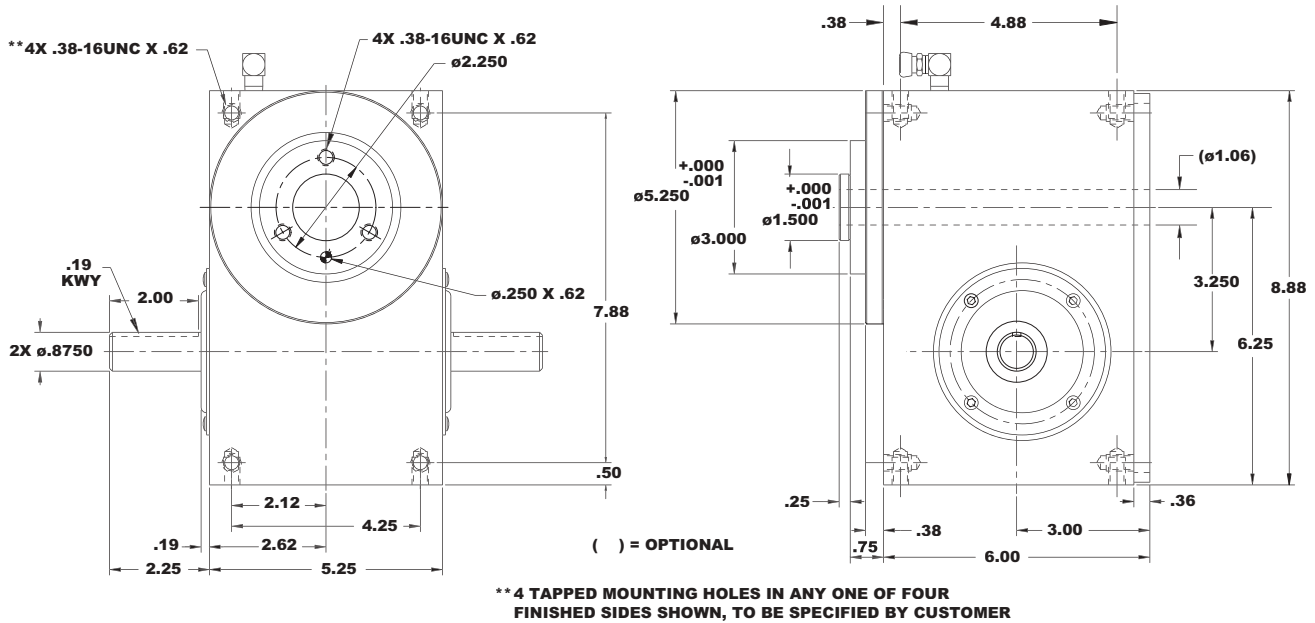
All dimensions are subject to change. For actual dimensions, please request the current drawing from IMC.



# FD162F/FD162S

## FD162F

All dimensions are subject to change. For actual dimensions, please request the current drawing from IMC.



## FD162F/FD162S Indexer Capacities

Stops (S)	Index Period ( $\beta$ )	Motion	B <sub>10</sub> Capacity at 50 RPM (in-lb)	Type "F" Internal Inertia (lb-in <sup>2</sup> )	Type "S" Internal Inertia (lb-in <sup>2</sup> )	Model*
2	300	ms	1053	11	4.2	FD162(F/S)-6/3-F75-300
3	270	ms	1340	11	4.2	FD162(F/S)-6/2-F75-270
	180	ms	1157	11	4.2	FD162(F/S)-6/2-F75-180
4	270	ms	1691	11	4.6	FD162(F/S)-8/2-F75-270
	180	msc.10	1758	11	4.6	FD162(F/S)-8/2-F75-180 MSC.10
6	270	ms	1512	11	4.2	FD162(F/S)-6-F75-270
	180	ms	1560	11	4.2	FD162(F/S)-6-F75-180
	120	ms	1526	11	4.2	FD162(F/S)-6-F75-120
8	270	ms	1821	11	4.6	FD162(F/S)-8-F75-270
	180	ms	1907	11	4.6	FD162(F/S)-8-F75-180
	120	ms	1939	11	4.6	FD162(F/S)-8-F75-120
12	270	ms	1278	11	4.4	FD162(F/S)-12-F62-270
	180	ms	1347	11	4.4	FD162(F/S)-12-F62-180
	120	ms	1396	11	4.4	FD162(F/S)-12-F62-120
16	270	ms	2044	11	4.6	FD162(F/S)-8X2-F75-135/135
	180	ms	2201	11	4.6	FD162(F/S)-8X2-F75-90/90
	120	ms	2283	11	4.6	FD162(F/S)-8X2-F75-60/60
24	270	ms	1432	11	4.4	FD162(F/S)-12X2-F62-135/135
	180	ms	1552	11	4.4	FD162(F/S)-12X2-F62-90/90
	120	ms	1643	11	4.4	FD162(F/S)-12X2-F62-60/60

\* Specify "F" for Flange (Dial) Output or "S" for Shaft Output

Other Motions (stops and index periods) available. Contact your IMC sales representative for more information.

## Technical Specifications

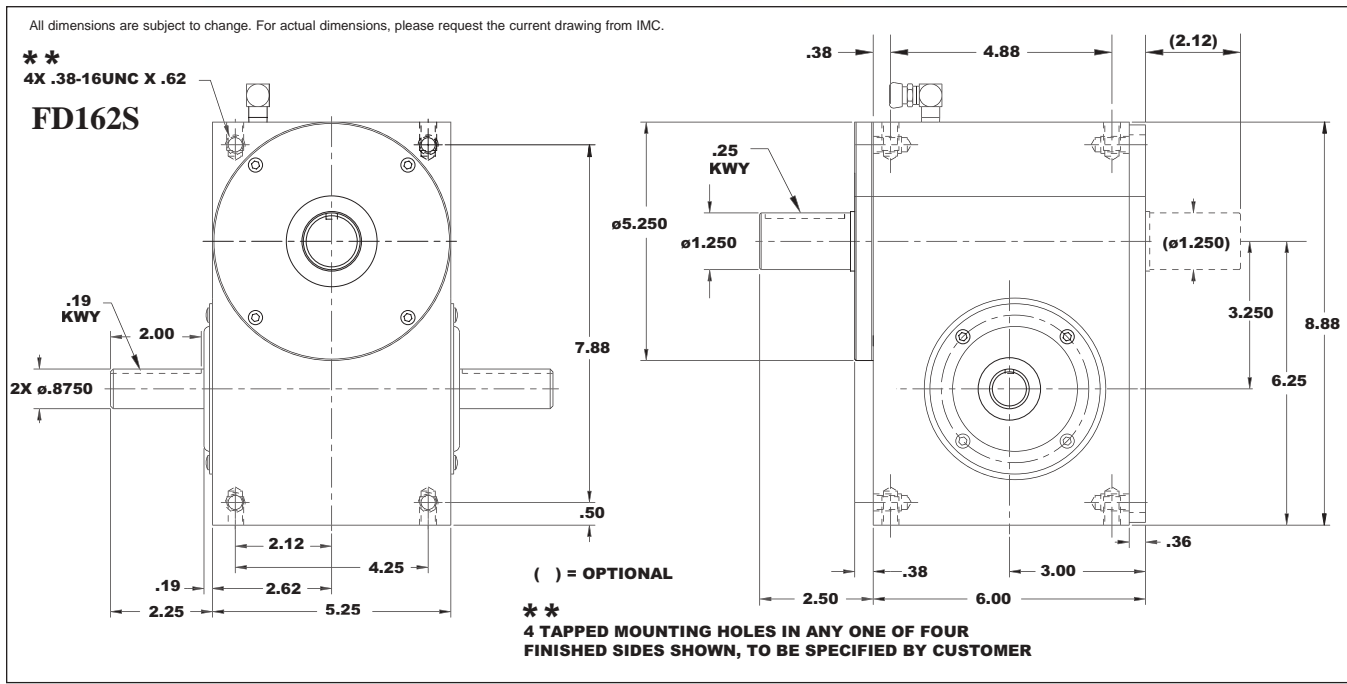
**Output Load Capacity – loads carried during index**

	F	S
Radial	1465 lbs	2876 lbs
Thrust/Axial	1112 lbs	1112 lbs
Moment	2197 in-lbs	5752 in-lbs

**Accuracy**  $\pm 45$  arcsec /  $\pm .0007''$  at 3" Radius

**Repeatability**  $\pm 22$  arcsec /  $\pm .0003''$  at 3" Radius



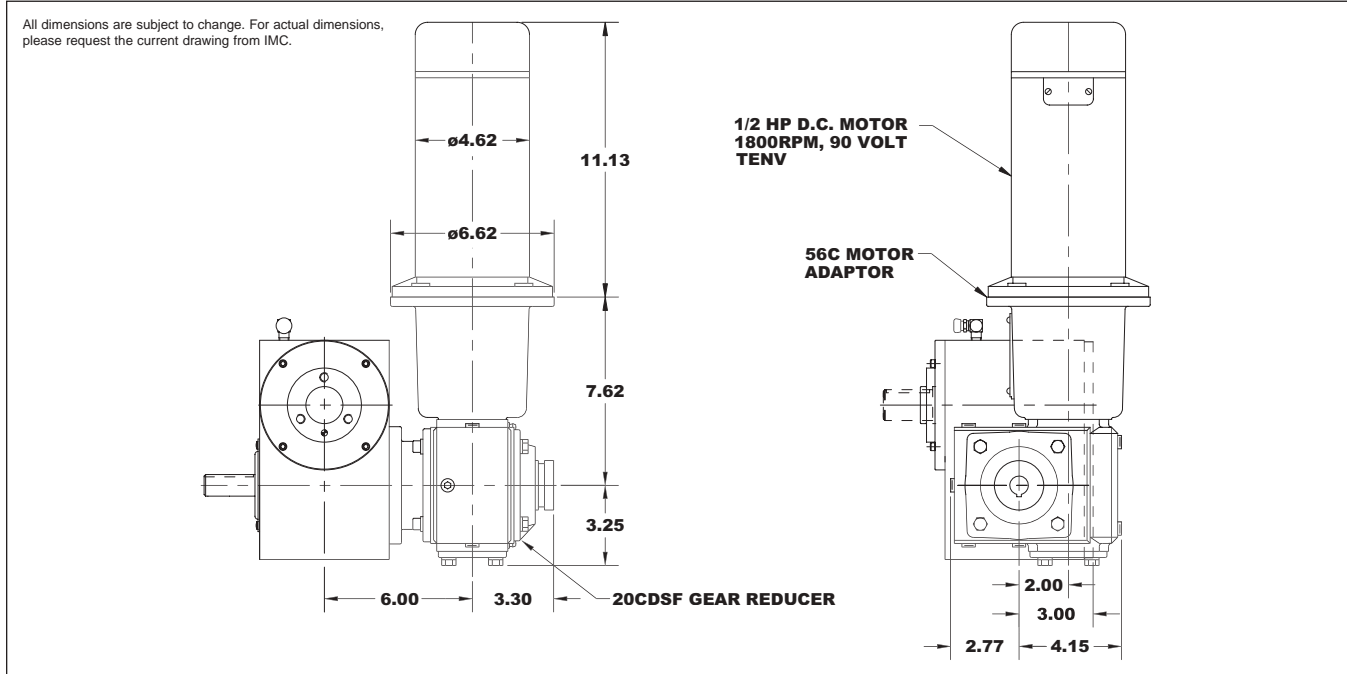


**Standard Features**

- ◆ Universal Mounting: mounting holes on any of 3 sides
- ◆ Right Hand Cam

**Accessories and Options**

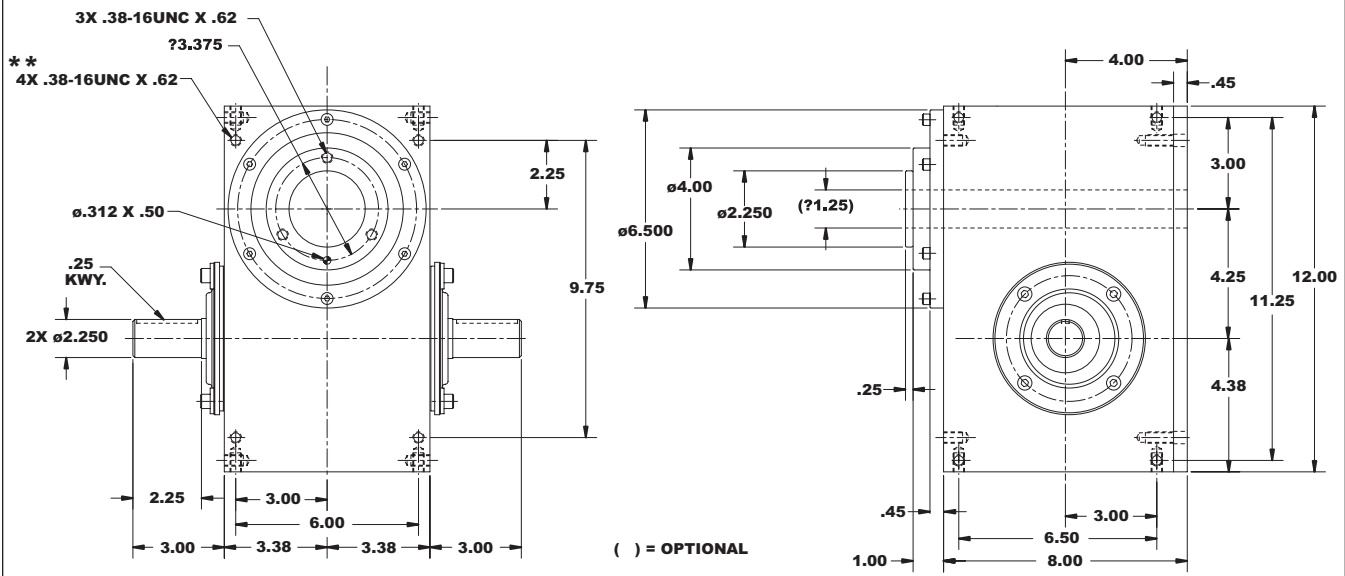
- ◆ 20CDSF Reducer with 56C Motor Adapter (Ratios of 5:1 to 60:1)
- ◆ 1/2 or 1 hp DC Motor with Varipak DC Motor Control (up to 30 cpm)
- ◆ 1/3 or 1 hp AC Drive Package with Inverter Duty Motor and Inverter Drive (up to 60 cpm)
- ◆ Output Overload Clutch Models: RT5 F/S, RT5 F/F, RT5DF
- Available Settings (in-lb), Adjustable Ranges: 500-850, 800-1700, 1600-3000
- ◆ Single or Dual Cycle Cam and Limit Switch
- ◆ Left Hand Cam
- ◆ Relief in Dwell for shot-pin applications



# FD200F/FD200S

## FD200F

All dimensions are subject to change. For actual dimensions, please request the current drawing from IMC.



\*\* 4 TAPPED MOUNTING HOLES IN ANY ONE OF SIX FINISHED SIDES SHOWN, TO BE SPECIFIED BY CUSTOMER

### FD200F/FD200S Indexer Capacities

Stops (S)	Index Period (β)	Motion	B <sub>10</sub> Capacity at 50 RPM (in-lb)	Type "F" Internal Inertia (lb-in <sup>2</sup> )	Type "S" Internal Inertia (lb-in <sup>2</sup> )	Model*
2	300	ms	1827	32	14	FD200(F/S)-6/3-F100-300
3	270	ms	2248	32	14	FD200(F/S)-6/2-F100-270
	180	ms	2033	32	14	FD200(F/S)-6/2-F100-180
4	270	ms	2710	33	15	FD200(F/S)-8/2-F100-270
	180	ms	2704	33	15	FD200(F/S)-8/2-F100-180
6	270	ms	2486	32	14	FD200(F/S)-6-F100-270
	180	ms	2580	32	14	FD200(F/S)-6-F100-180
	120	ms	2581	32	14	FD200(F/S)-6-F100-120
8	270	ms	2990	33	15	FD200(F/S)-8-F100-270
	180	ms	3135	33	15	FD200(F/S)-8-F100-180
	120	ms	3214	33	15	FD200(F/S)-8-F100-120
12	270	ms	2214	31	14	FD200(F/S)-12-F75-270
	180	ms	2768	31	14	FD200(F/S)-12-F75-180
	120	ms	2874	31	14	FD200(F/S)-12-F75-120
16	270	ms	3350	33	15	FD200(F/S)-8X2-F100-135/135
	180	ms	3616	33	15	FD200(F/S)-8X2-F100-90/90
	120	ms	3784	33	15	FD200(F/S)-8X2-F100-60/60
24	270	ms	2936	31	14	FD200(F/S)-12X2-F75-135/135
	180	ms	3189	31	14	FD200(F/S)-12X2-F75-90/90
	120	ms	3382	31	14	FD200(F/S)-12X2-F75-60/60

\* Specify "F" for Flange (Dial) Output or "S" for Shaft Output

Other Motions (stops and index periods) available. Contact your IMC sales representative for more information.

### Technical Specifications

Output Load Capacity – loads carried during index

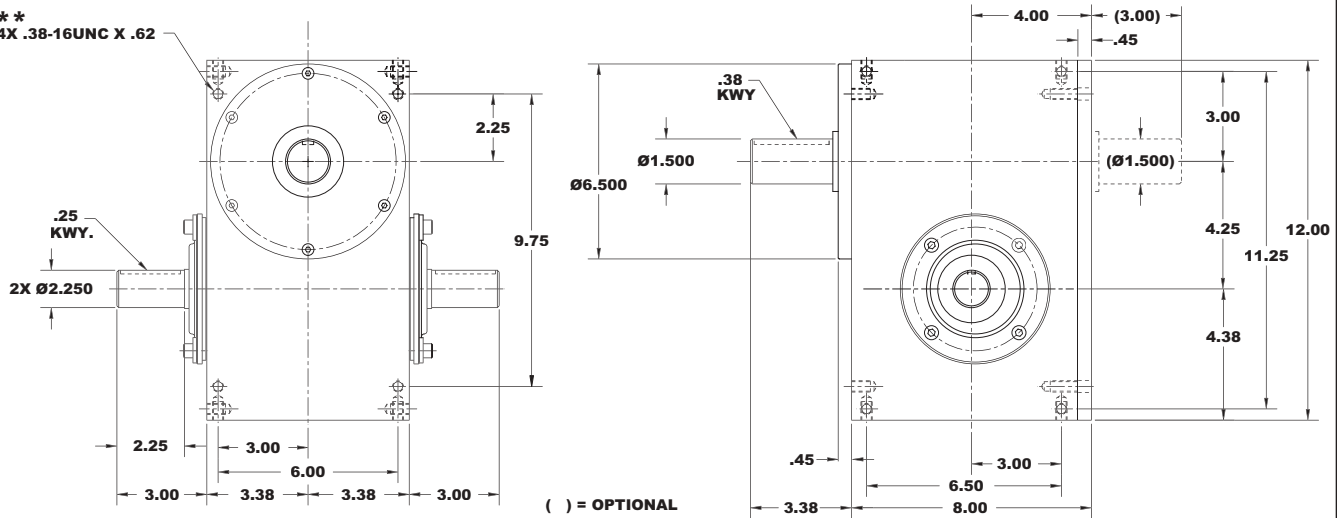
	F	S
Radial	1871 lbs	3615 lbs
Thrust/Axial	1187 lbs	1246 lbs
Moment	3742 in-lbs	9940 in-lbs

Accuracy ±36 arcsec / ±.001" at 6" Radius  
 Repeatability ±18 arcsec / ±.0005" at 6" Radius

All dimensions are subject to change. For actual dimensions, please request the current drawing from IMC.

## FD200S

\*\*  
4X .38-16UNC X .62



\*\* 4 TAPPED MOUNTING HOLES IN ANY ONE OF SIX FINISHED SIDES SHOWN, TO BE SPECIFIED BY CUSTOMER

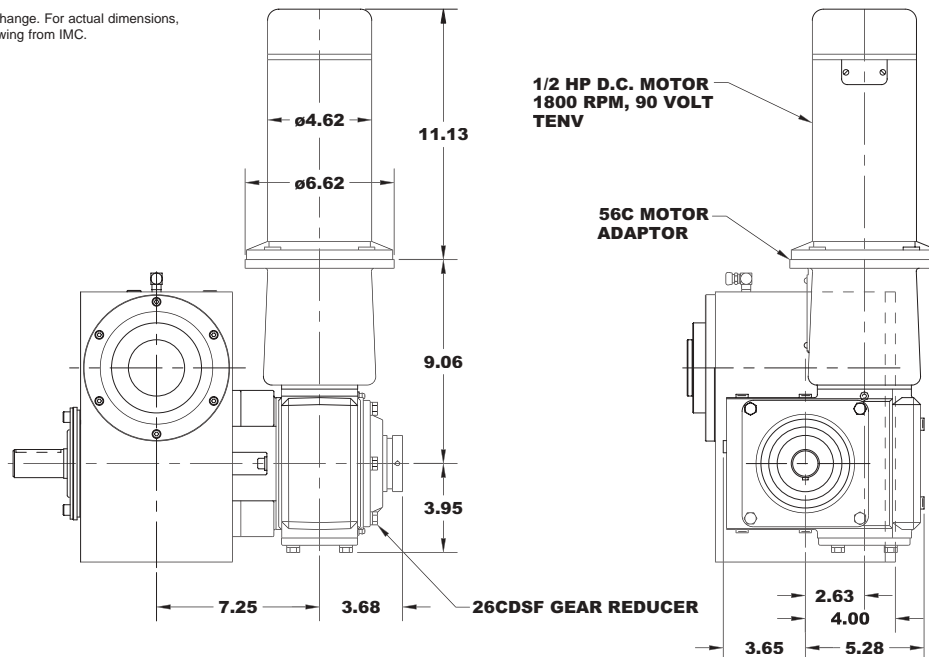
### Standard Features

- ◆ Universal Mounting: mounting holes on any of 4 sides
- ◆ Right Hand Cam

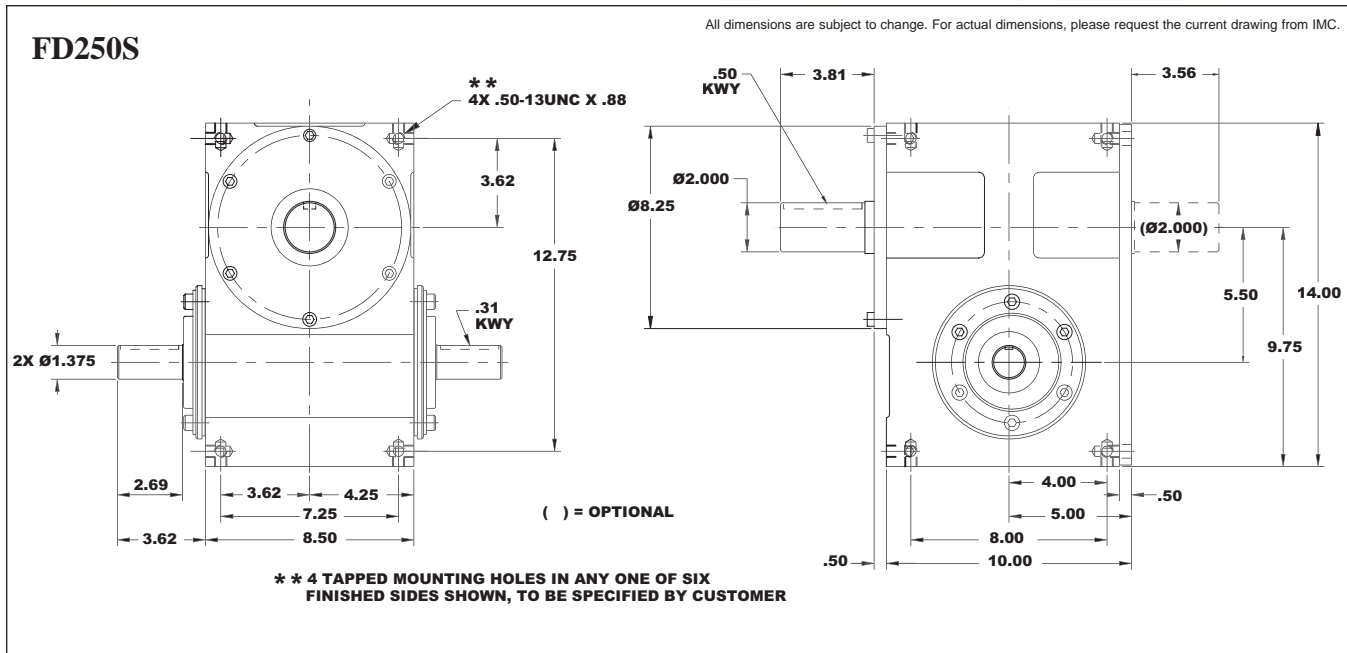
### Accessories and Options

- ◆ Center Through Hole (1.25 in. Diameter) in F version.
- ◆ 26CDSF Reducer with 56C Motor Adapter (Ratios of 5:1 to 60:1)
- ◆ 1/2 or 1 hp DC Motor with Varipak DC Motor Control (up to 30 cpm)
- ◆ 1/2 or 1 hp AC Drive Package with Inverter Duty Motor and Inverter Drive (up to 60 cpm)
- ◆ Output Overload Clutch Models: RT5 F/S, RT5 F/F, RT5DF
- Available Settings (in-lb), Adjustable Ranges: 500-850, 800-1700, 1600-3000
- ◆ Single or Dual Cycle Cam and Limit Switch
- ◆ Left Hand Cam
- ◆ Relief in Dwell for shot-pin applications

All dimensions are subject to change. For actual dimensions, please request the current drawing from IMC.





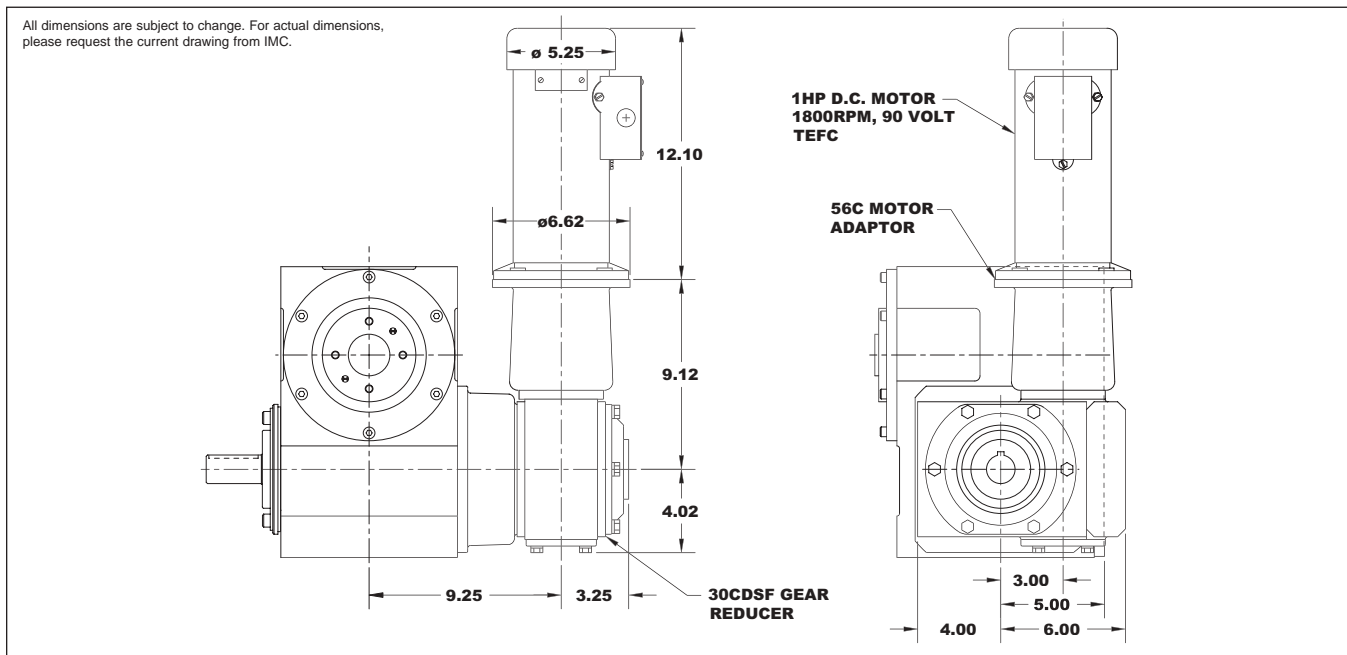


**Standard Features**

- ◆ Universal Mounting: mounting holes on any of 6 sides
- ◆ Right Hand Cam

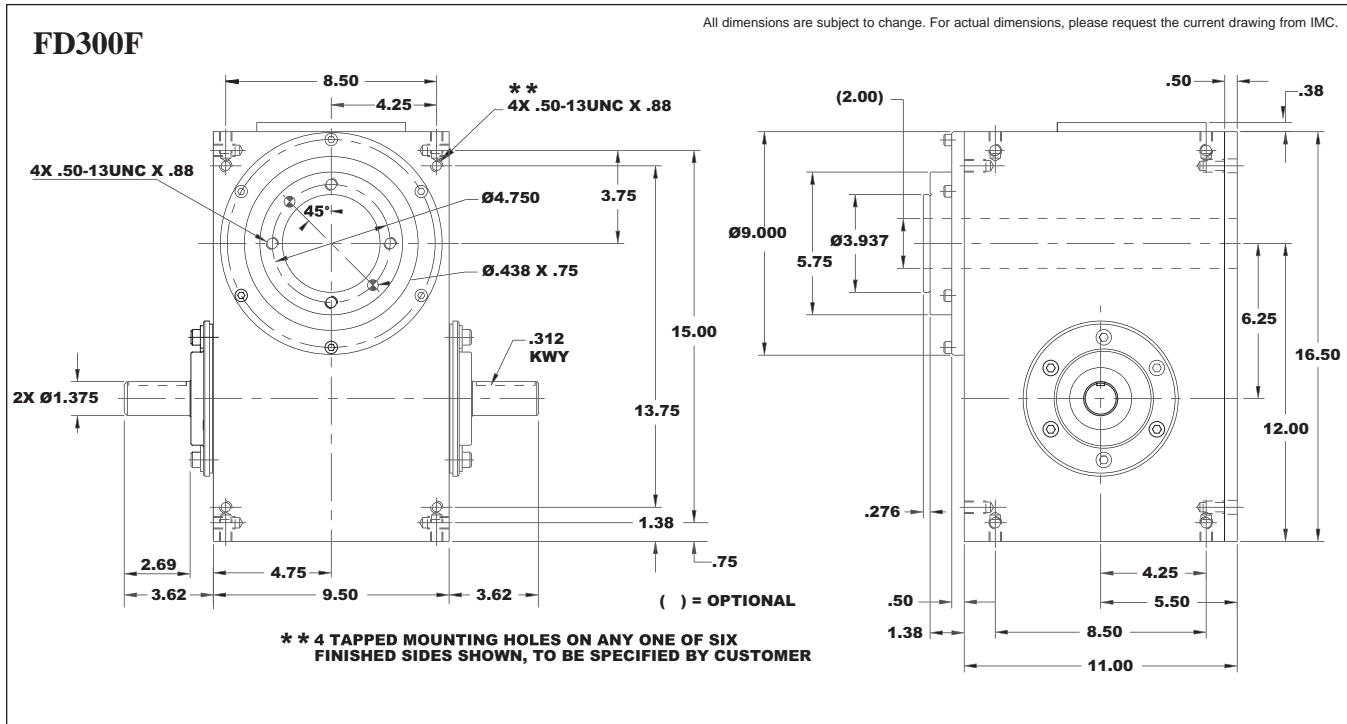
**Accessories and Options**

- ◆ Center Through Hole (1.5 in. Diameter) in F version.
- ◆ 30CDSF Reducer with 56C Motor Adapter (Ratios of 5:1 to 60:1)
- ◆ R3 Reducer with 56C Motor Adapter (Ratios of 5:1 to 60:1)
- ◆ R3 FSC Input Overload Clutch
- ◆ 1 hp DC Motor with Varipak DC Motor Control (up to 30 cpm)
- ◆ 1 hp AC Drive Package with Inverter Duty Motor and Inverter Drive (up to 60 cpm)
- ◆ Output Overload Clutch Models: RT6 F/S, RT6 F/F, RT6DF
  - Available Settings (in-lb), Adjustable Ranges: 1000-2700, 2500-5000, 4000-8500
- ◆ R3 FSC Input Overload Clutch
- ◆ Single or Dual Cycle Cam and Limit Switch
- ◆ Left Hand Cam
- ◆ Relief in Dwell for shot-pin applications



# FD300F/FD300S

D



FD300F/FD300S Indexer Capacities						
Stops (S)	Index Period (β)	Motion	B <sub>10</sub> Capacity at 50 RPM (in-lb)	Type "F" Internal Inertia (lb-in <sup>2</sup> )	Type "S" Internal Inertia (lb-in <sup>2</sup> )	Model*
2	300	ms	8188	241	118	FD300(F/S)-6/3-F175-300
3	270	ms	10215	241	118	FD300(F/S)-6/2-F175-270
	180	msc.20	10008	241	118	FD300(F/S)-6/2-F175-180 MSC.20
4	270	ms	9207	236	113	FD300(F/S)-8/2-F150-270
	180	ms	8862	236	113	FD300(F/S)-8/2-F150-180
6	270	ms	11352	241	118	FD300(F/S)-6-F175-270
	180	ms	11764	241	118	FD300(F/S)-6-F175-180
	120	ms	11655	241	118	FD300(F/S)-6-F175-120
	270	ms	9859	236	113	FD300(F/S)-8-F150-270
8	180	ms	10327	236	113	FD300(F/S)-8-F150-180
	120	ms	10539	236	113	FD300(F/S)-8-F150-120
	270	ms	5139	219	96	FD300(F/S)-12-F100-270
12	180	ms	5422	219	96	FD300(F/S)-12-F100-180
	120	ms	5627	219	96	FD300(F/S)-12-F100-120
	270	ms	11044	236	113	FD300(F/S)-8X2-F150-135/135
16	180	ms	11910	236	113	FD300(F/S)-8X2-F150-90/90
	120	ms	12410	236	113	FD300(F/S)-8X2-F150-60/60
	270	ms	5753	219	96	FD300(F/S)-12X2-F100-135/135
24	180	ms	6247	219	96	FD300(F/S)-12X2-F100-90/90
	120	ms	6620	219	96	FD300(F/S)-12X2-F100-60/60

\* Specify "F" for Flange (Dial) Output or "S" for Shaft Output  
 Other Motions (stops and index periods) available. Contact your IMC sales representative for more information.

## Technical Specifications

	Output Load Capacity – loads carried during index		Accuracy	±40 arcsec / ±.0011" at 6" Radius
	F	S		
Radial	2555 lbs	6869 lbs	Repeatability	±20 arcsec / ±.0006" at 6" Radius
Thrust/Axial	1235 lbs	2427 lbs		
Moment	7347 in-lbs	23562 in-lbs		



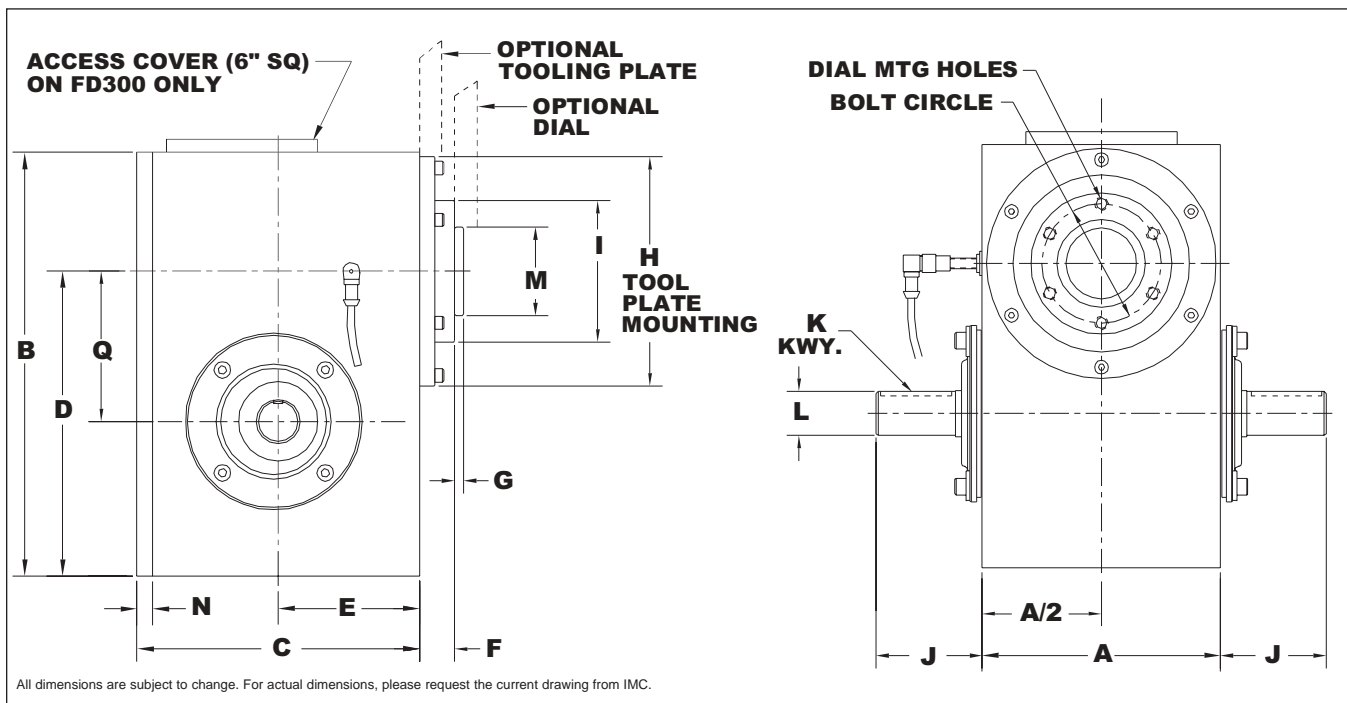


# Sentry Series: Internal Torque Limiter

In addition to the standard Roller Gear series features, the **Sentry Series Index Drives** incorporate the **patented Internal Torque Limiter**, available only from IMC, as a standard feature. The advantages of the Internal Torque Limiter include:

- ◆ **Ideal for Harsh Environments.** Dusty, dirty, humid and washdown environments do not reduce indexer or machine performance due to the Sentry Series totally enclosed design.
- ◆ **Provides For Overload Protection.** The Sentry Series recognizes machine jams and disengages the drive. This reduces downtime, eliminates the need for costly spare parts, prolongs indexer life, improves output and increases productivity.

- ◆ **Reduces Assembly Time.** External clutches or torque limiters require an additional alignment operation and add overall tolerances to placement accuracy. With the addition of an Internal Torque Limiter, the time required for installation has been significantly reduced.
- ◆ **Self Lubricating.** The clutch is housed in an oil bath with no additional lubrication needed. An optional lubrication monitoring system signals host computers when oil is low or abnormally high in temperature.



# Sentry Series: Internal Torque Limiter

Model	A	B	C	D	E	F	G	H	I	J	K	L	M	N	Q	Dial Mtg Holes*	Dowel Holes*	Bolt Circle
S162	5.25	8.88	6.00	6.25	3.00	.75	.25	5.25	3.00	2.25	3/16 x 3/32	.88	1.50	.38	3.25	(3)3/8-16 5/8 DP	(1) 1/4 5/8 DP	2.25
S200	6.75	12.00	8.00	8.63	4.00	1.00	.25	6.50	4.00	3.00	1/4 x 1/8	1.25	2.50	.45	4.25	(3)3/8-16 5/8 DP	(1)5/16 1/2 DP	3.38
S250	8.50	14.00	10.00	9.75	5.00	.875	.19	8.25	4.50	3.59	5/16 x 5/32	1.38	2.00	.50	5.50	(4)3/8-16 11/16 DP	(2)5/16 1/2 DP	3.25
S300	9.50	16.50	11.00	12.00	5.50	1.38	.28	9.00	5.75	3.59	5/16 x 5/32	1.38	3.94	.50	6.25	(4)1/2-13 7/8 DP	(2)7/16 3/4 DP	4.75

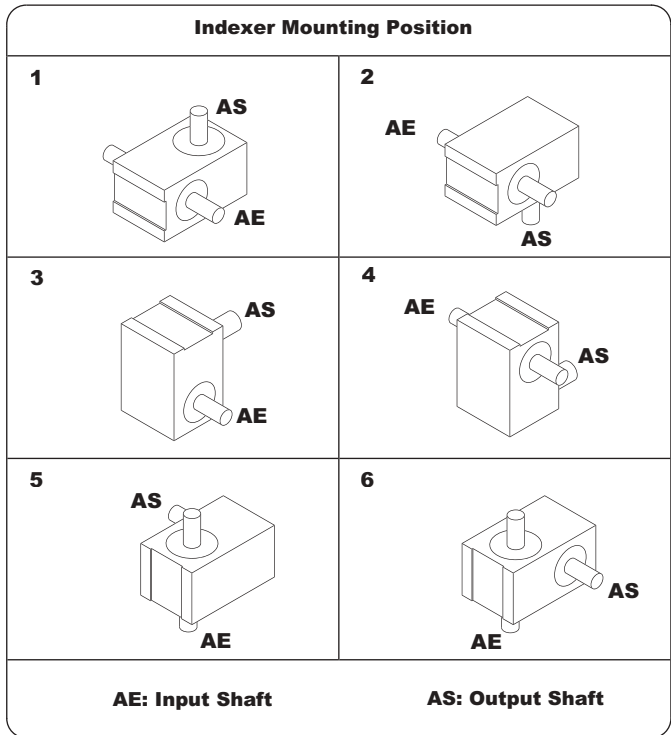
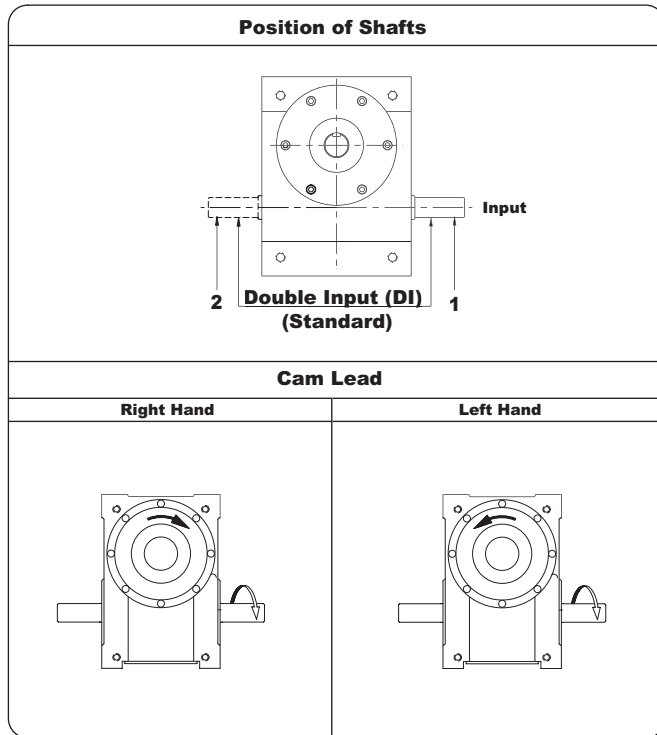
\* See corresponding "FD" unit drawings for housing mounting hole dimensions and dial mounting hole location

# Indexer Ordering Procedure

1. Model
2. Input Shaft Configuration
  - ◆ Side 1
  - ◆ Side 2
  - ◆ Double Input – DI (Standard)
3. Cam Lead (Helix)
  - ◆ Right Hand (Standard)
  - ◆ Left Hand

NOTE: Input may rotate in either direction to achieve desired direction of output rotation.

4. Indexer Mounting Position: 1-6



# Reducer Ordering Procedure

1. Model
2. Ratio
  - ◆ 5:1, 10:1, 15:1, 20:1, 25:1, 30:1, 40:1, 50:1, 60:1
3. Motor Adapter
4. Reducer Input Shaft Extension
  - ◆ Single Input (SE) or Double Input (DE)
5. Mounting
  - ◆ Mounting Position A, B, C, or D
  - ◆ Mounted on Indexer Side 1 or Side 2
6. Input Shaft Orientation
  - ◆ Left or Right (See Diagram Below)

