



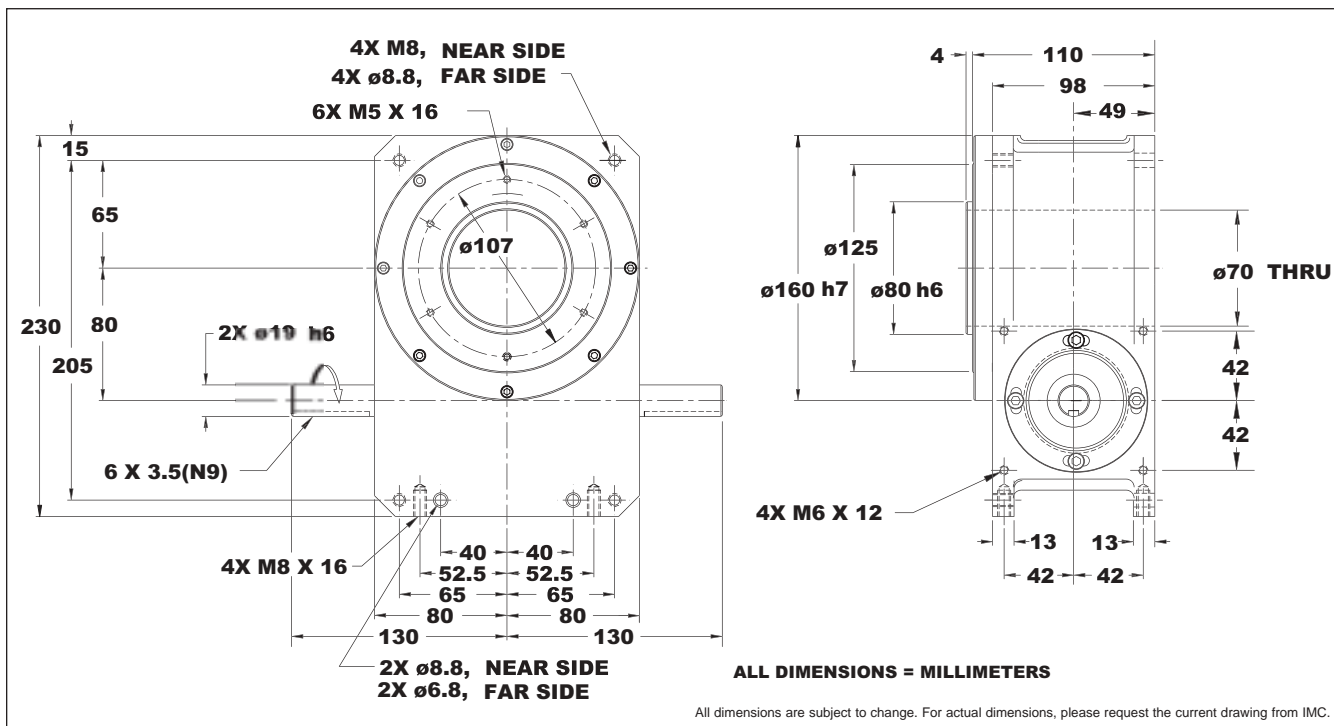
## Features

The RDM Series Index Drive is ideal for rotary dial applications with features including:

- ◆ Large Output Mounting Surface supported by 4-point contact bearing offering superior thrust and moment capacity
- ◆ Large Center Thru Hole
- ◆ Low Profile
- ◆ Complete, Motorized Drive Packages
- ◆ Optional Output Overload Clutch

# 80RDM

B



80RDM Indexer Capacities					
Stops (S)	Index Period ( $\beta$ )	Motion	B <sub>10</sub> Capacity at 50 RPM (in-lb)	Internal Inertia (lb-in <sup>2</sup> )	Model
2	330	msc.50	716	28	80RDM2H16-330
3	330	msc.25	798	28	80RDM3H16-330
4	330	msc.33	1455	28	80RDM4H20-330
6	270	ms	1540	30	80RDM6H20-270
8	270	ms	1197	29	80RDM8H16-270
12	270	ms	1661	30	80RDM12H20-270
	180	ms	1817	30	80RDM12H20-180
16	120	msc.33	2222	30	80RDM12H20-120
	270	ms	1260	29	80RDM16H16-270
	180	ms	1392	29	80RDM16H16-180
	120	ms	1473	29	80RDM16H16-120
24	90	msc.33	1724	29	80RDM16H16-90
	270	ms	2012	30	80RDM24H20-270 II
	180	ms	2233	30	80RDM24H20-180 II
32	270	ms	1523	29	80RDM32H16-270 II
	180	ms	1681	29	80RDM32H16-180 II
4	360	c.v.	482	30	80RDM0H20-360 4:1
8	360	c.v.	370	29	80RDM0H16-360 8:1
12	360	c.v.	547	30	80RDM0H20-360 12:1
16	360	c.v.	384	29	80RDM0H16-360 16:1

Other Motions (stops and index periods) available. Contact your IMC sales representative for more information.

## Technical Specifications

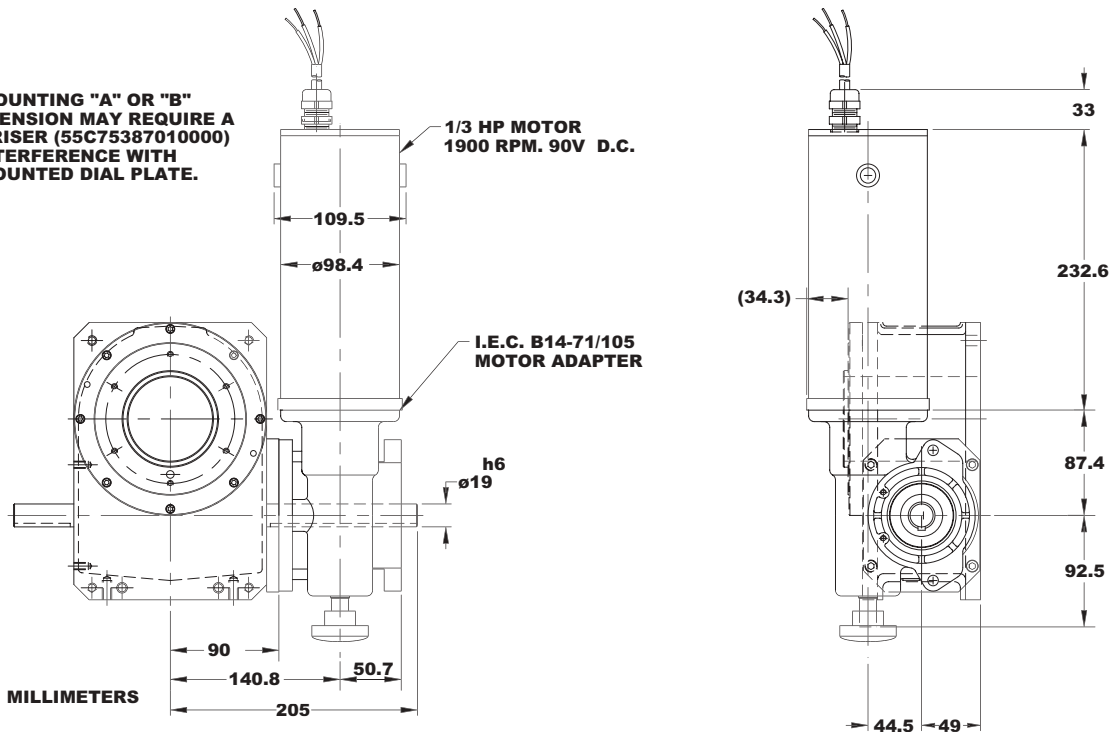
### Output Load Capacity – loads carried during index

Radial	730 lbs
Thrust/Axial	1,810 lbs
Moment	1,810 in.-lbs

### Typical Application Dial Diameter: 8 in. to 28 in.

Accuracy	$\pm 44$ arcsec / $\pm 0.003$ " at 14" Radius
Repeatability	$\pm 22$ arcsec / $\pm 0.0014$ " at 14" Radius

**WARNING NOTE:**  
R180 REDUCER MOUNTING "A" OR "B"  
WITH SINGLE EXTENSION MAY REQUIRE A  
.250 THICK DIAL RISER (55C75387010000)  
TO ELIMINATE INTERFERENCE WITH  
UNDERSIDE OF MOUNTED DIAL PLATE.



All dimensions are subject to change. For actual dimensions, please request the current drawing from IMC.

## Standard Package

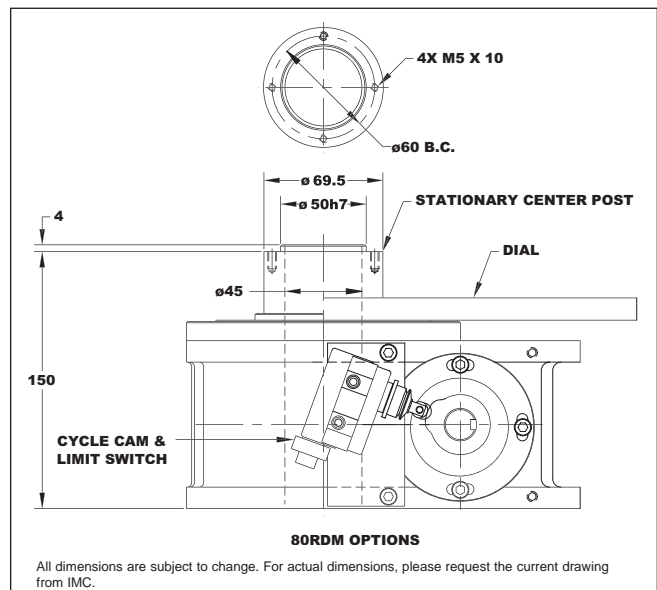
### 80RDM Indexer with

- ◆ R180 Reducer (Ratios from 5:1 to 60:1)
  - Double Extended Worm Shaft (Input)
  - Worm Shaft Handwheel
- ◆ Double Extended Camshaft (Input Shaft)
- ◆ Center Thru Hole (70 mm / 2.76 in. Diameter)
- ◆ 1/3 hp DC Motor

- ◆ Varipak DC Motor Control (up to 30 cpm)
- ◆ Cycle Cam and Limit Switch Mounted to Camshaft
- ◆ Right Hand Cam
- ◆ Universal Mounting Capability

## Optional Accessories

- ◆ 1/3 hp AC Drive Package with Inverter Duty Motor and Inverter Drive (up to 60 cpm)
- ◆ SW-030 or SW-040 reducer with Option Internal OLC
- ◆ Stationary Center Post
- ◆ Dual Cam and Limit Switch
- ◆ Base Riser Blocks
- ◆ Electric Clutch-Brake
- ◆ Air Motor Drive Package
- ◆ 180IOC Input Overload Clutch
- ◆ Left Hand Cam
- ◆ Relief in Dwell for shot-pin applications
- ◆ Custom Dial Plate

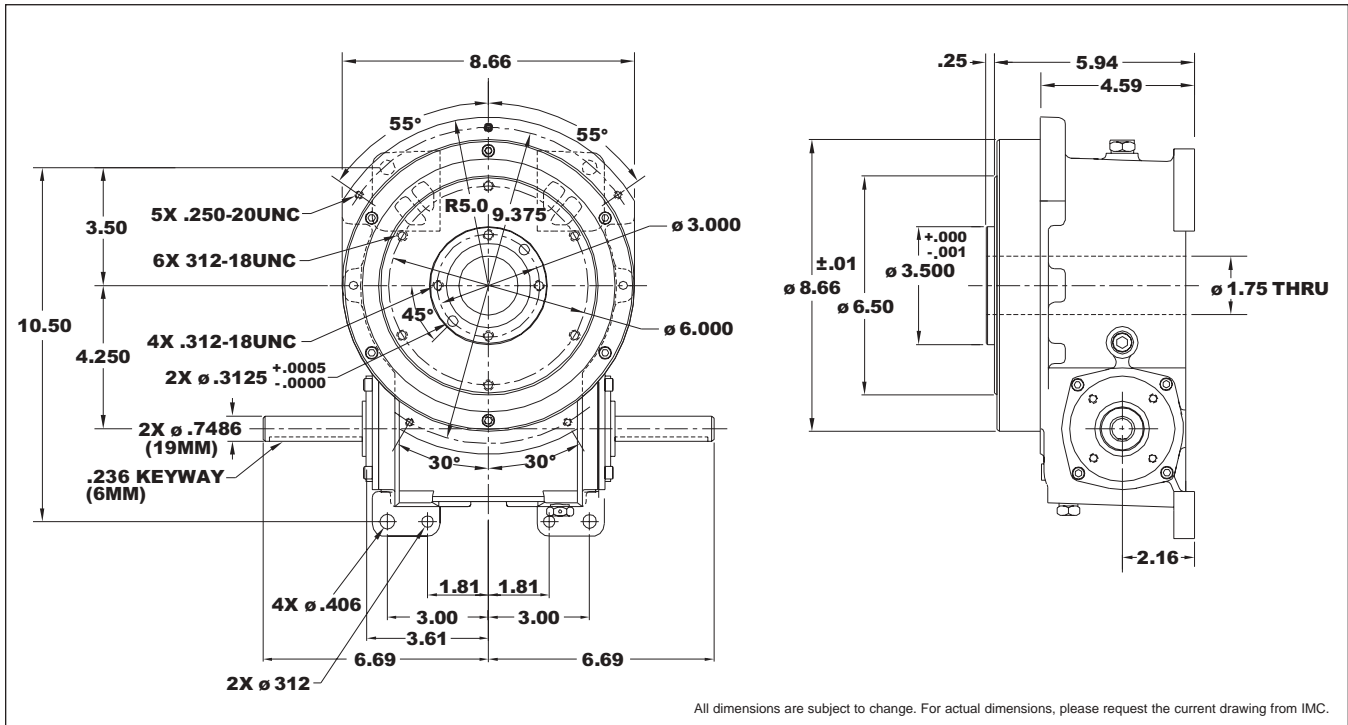


80RDM OPTIONS

All dimensions are subject to change. For actual dimensions, please request the current drawing from IMC.

# 601RDM

B



601RDM Indexer Capacities					
Stops (S)	Index Period (β)	Motion	B <sub>10</sub> Capacity at 50 RPM (in-lb)	Internal Inertia (lb-in <sup>2</sup> )	Model
2	330	msc.67	1555	112	601RDM2H20-330
3	330	msc.33	2950	112	601RDM3H24-330
4	330	msc.33	3683	112	601RDM4H24-330
6	270	ms	4025	112	601RDM6H24-270
8	270	msc.33	5035	112	601RDM8H24-270
	180	msc.67	6758	112	601RDM8H24-180
12	270	ms	4452	112	601RDM12H24-270
	180	ms	4985	112	601RDM12H24-180
	120	msc.33	6225	112	601RDM12H24-120
16	270	ms	4511	112	601RDM16H24-270
	180	ms	5061	112	601RDM16H24-180
	120	msc.50	6780	112	601RDM16H24-120
24	270	ms	5879	112	601RDM24H24-270 II
	180	ms	6479	112	601RDM24H24-180 II
	270	ms	5937	112	601RDM32H24-270 II
32	180	ms	6651	112	601RDM32H24-180 II
	4	c.v.	1110	110	601RDM0H24-360 4:1
	6	c.v.	1212	110	601RDM0H24-360 6:1
8	c.v.	1274	112	601RDM0H24-360 8:1	
12	c.v.	1286	110	601RDM0H24-360 12:1	

Other Motions (stops and index periods) available. Contact your IMC sales representative for more information.

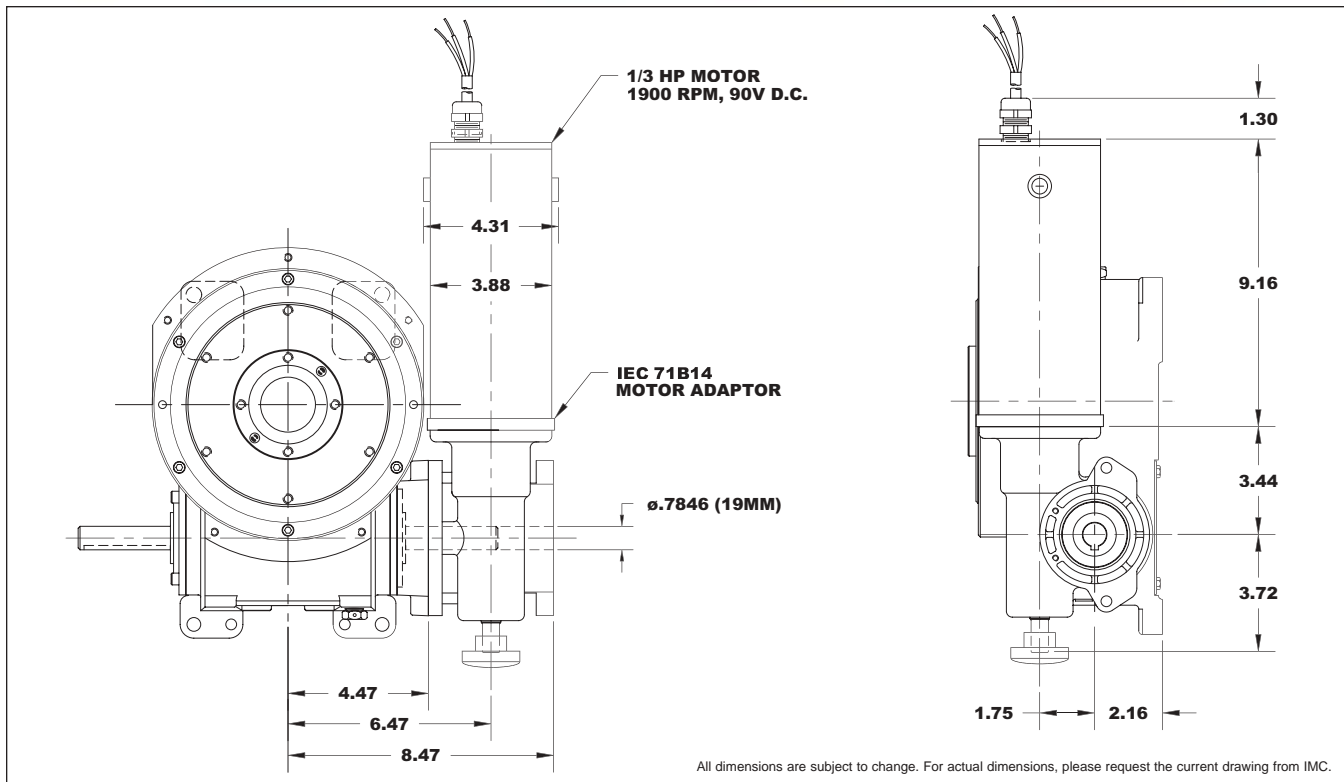
## Technical Specifications

### Output Load Capacity – loads carried during index

Radial	910 lbs
Thrust/Axial	2,270 lbs
Moment	3,180 in.-lbs

### Typical Application Dial Diameter: 12 in. to 36 in.

<b>Accuracy</b>	±39 arcsec / ±.003" at 18" Radius
<b>Repeatability</b>	±22 arcsec / ±.002" at 18" Radius



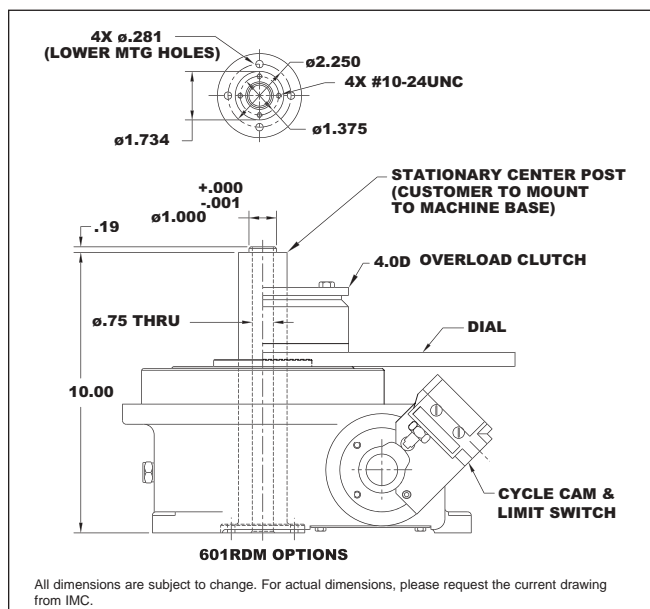
## Standard Package

### 601RDM Indexer with

- ◆ R180 Reducer (Ratios from 5:1 to 60:1)
  - Double Extended Worm Shaft (Input)
  - Worm Shaft Handwheel
- ◆ Double Extended Camshaft (Input Shaft)
- ◆ Center Thru Hole (1.75 in. Diameter)
- ◆ 1/3 hp DC Motor
- ◆ Varipak DC Motor Control (up to 30 cpm)
- ◆ Cycle Cam and Limit Switch Mounted to Camshaft
- ◆ Right Hand Cam

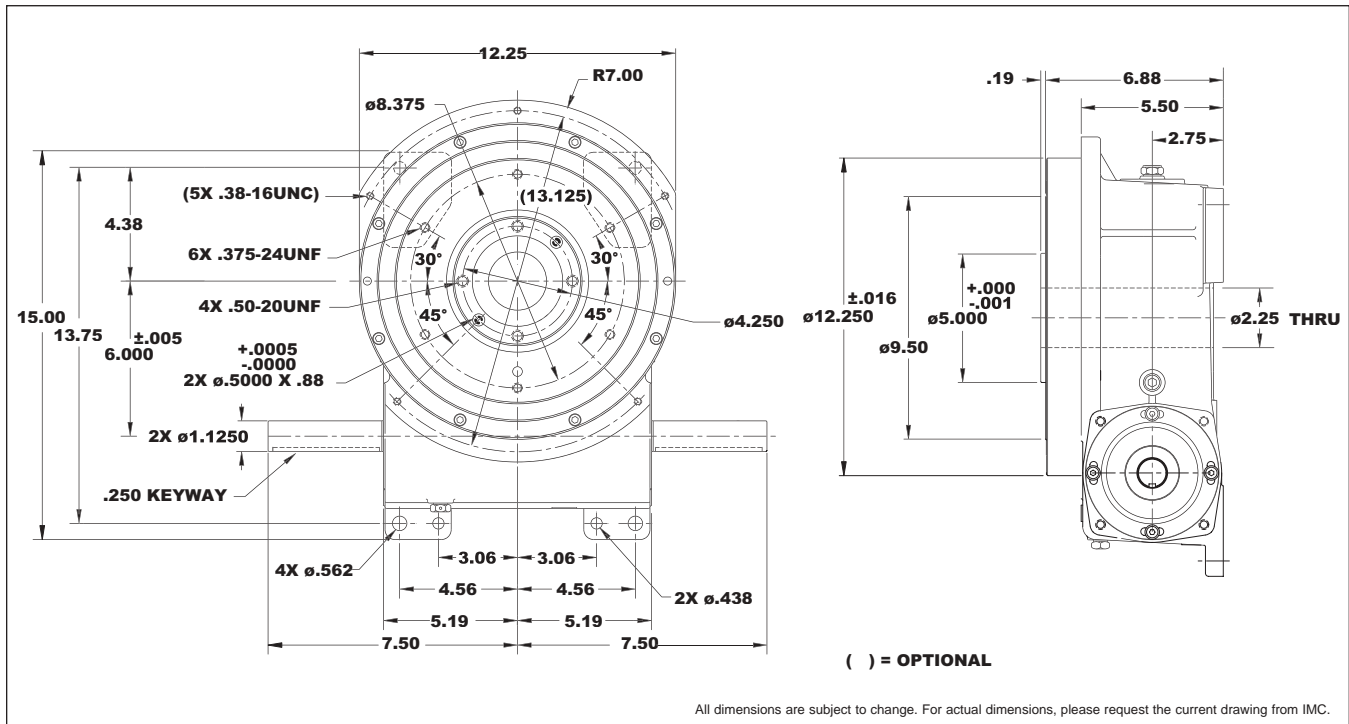
## Optional Accessories

- ◆ 1/3 hp AC Drive Package with Inverter Duty Motor and Inverter Drive (up to 60 cpm)
- ◆ R225 Heavy Duty Reducer (ratios from 5:1 to 60:1) with 1 hp DC Motor
- ◆ Output Overload Clutch model 4.0D
  - Available Settings (in-lbs): 420, 620, 750, 1150, 1750, 2940, 4000
- ◆ Stationary Center Post
- ◆ Dual Cam and Limit Switch
- ◆ Base Riser Blocks
- ◆ Electric Clutch-Brake
- ◆ Air Clutch-Brake (requires R225 Reducer)
- ◆ Air Motor Drive Package
- ◆ 180IOC or 225IOC Input OLC
- ◆ Left Hand Cam
- ◆ Relief in Dwell for shot-pin applications
- ◆ Custom Dial Plate



# 902RDM

B



902RDM Indexer Capacities					
Stops (S)	Index Period (β)	Motion	B <sub>10</sub> Capacity at 50 RPM (in-lb)	Internal Inertia (lb-in <sup>2</sup> )	Model
2	330	msc.67	5361	595	902RDM2H32-330
3	330	msc.33	5461	595	902RDM3H32-330
4	330	msc.33	6524	595	902RDM4H32-330
6	270	ms	6913	595	902RDM6H32-270
8	270	ms	8833	612	902RDM8H32-270
	180	msc.33	8023	612	902RDM8H24-180
12	270	ms	7726	595	902RDM12H32-270
	180	ms	8751	595	902RDM12H32-180
	120	ms	9276	595	902RDM12H32-120
16	270	ms	8711	612	902RDM16H32-270
	180	ms	9599	612	902RDM16H32-180
	120	ms	10202	612	902RDM16H32-120
24	270	ms	10877	595	902RDM24H32-270 II
	180	ms	11494	595	902RDM24H32-180 II
32	270	ms	11877	612	902RDM32H32-270 II
	180	ms	13108	612	902RDM32H32-180 II
4	360	c.v.	2092	612	902RDM0H32-360 4:1
6	360	c.v.	2359	595	902RDM0H32-360 6:1
8	360	c.v.	2498	612	902RDM0H32-360 8:1
12	360	c.v.	2539	595	902RDM0H32-360 12:1

Other Motions (stops and index periods) available. Contact your IMC sales representative for more information.

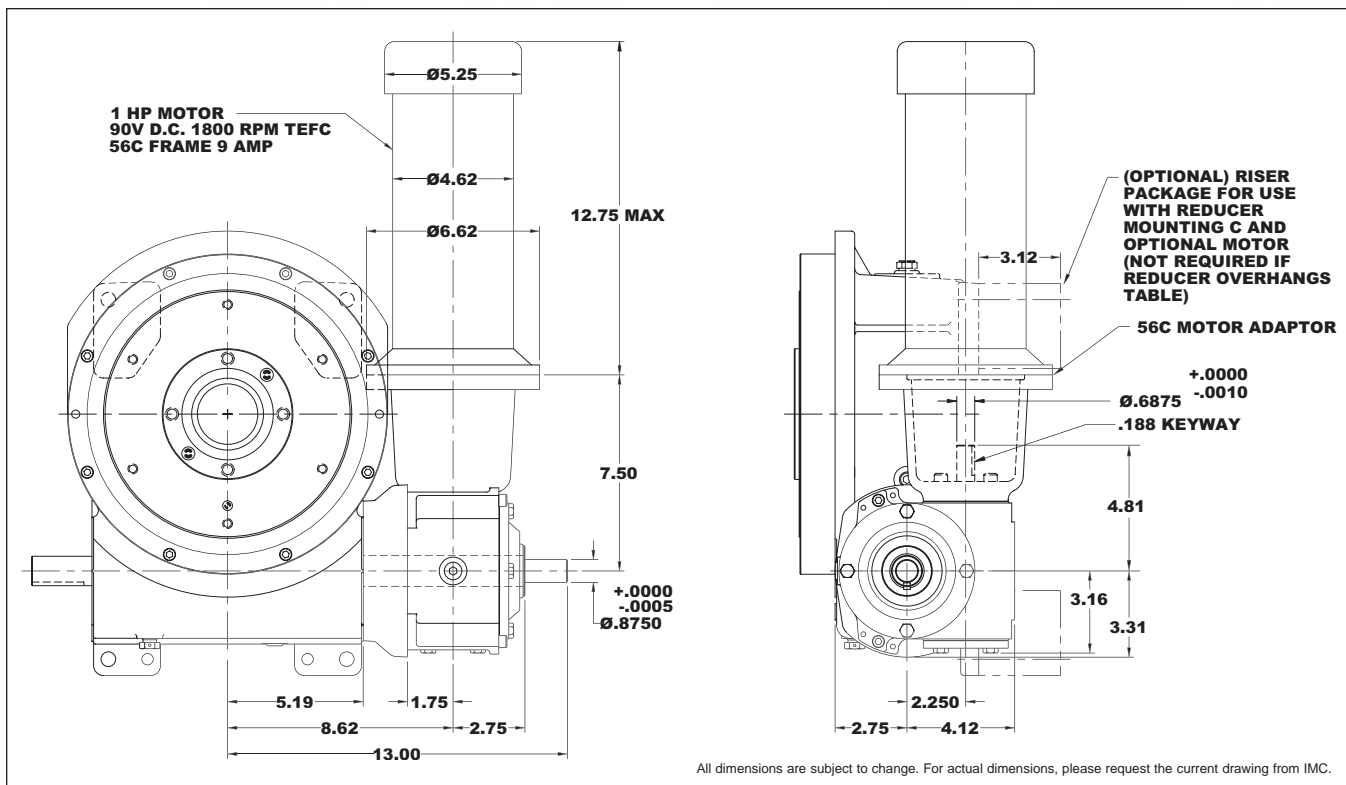
## Technical Specifications

### Output Load Capacity – loads carried during index

Radial	3,540 lbs
Thrust/Axial	8,850 lbs
Moment	17,700 in.-lbs

### Typical Application Dial Diameter: 20 in. to 48 in.

Accuracy	±27 arcsec / ±.003" at 24" Radius
Repeatability	±13 arcsec / ±.0015" at 24" Radius



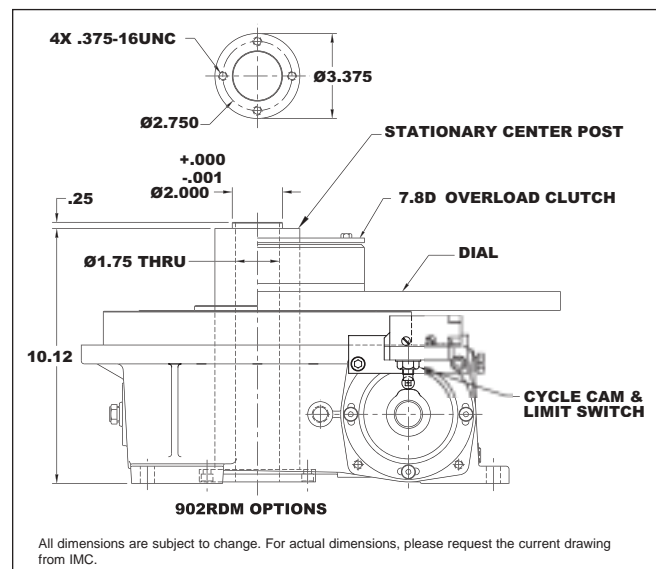
## Standard Package

### 902RDM Indexer with

- ◆ R225 Reducer (Ratios from 5:1 to 60:1)
- ◆ Double Extended Camshaft (Input Shaft)
- ◆ Center Thru Hole (2.25 in. Diameter)
- ◆ 1 hp DC Motor
- ◆ Varipak DC Motor Control (up to 30 cpm)
- ◆ Cycle Cam and Limit Switch Mounted to Camshaft
- ◆ Right Hand Cam

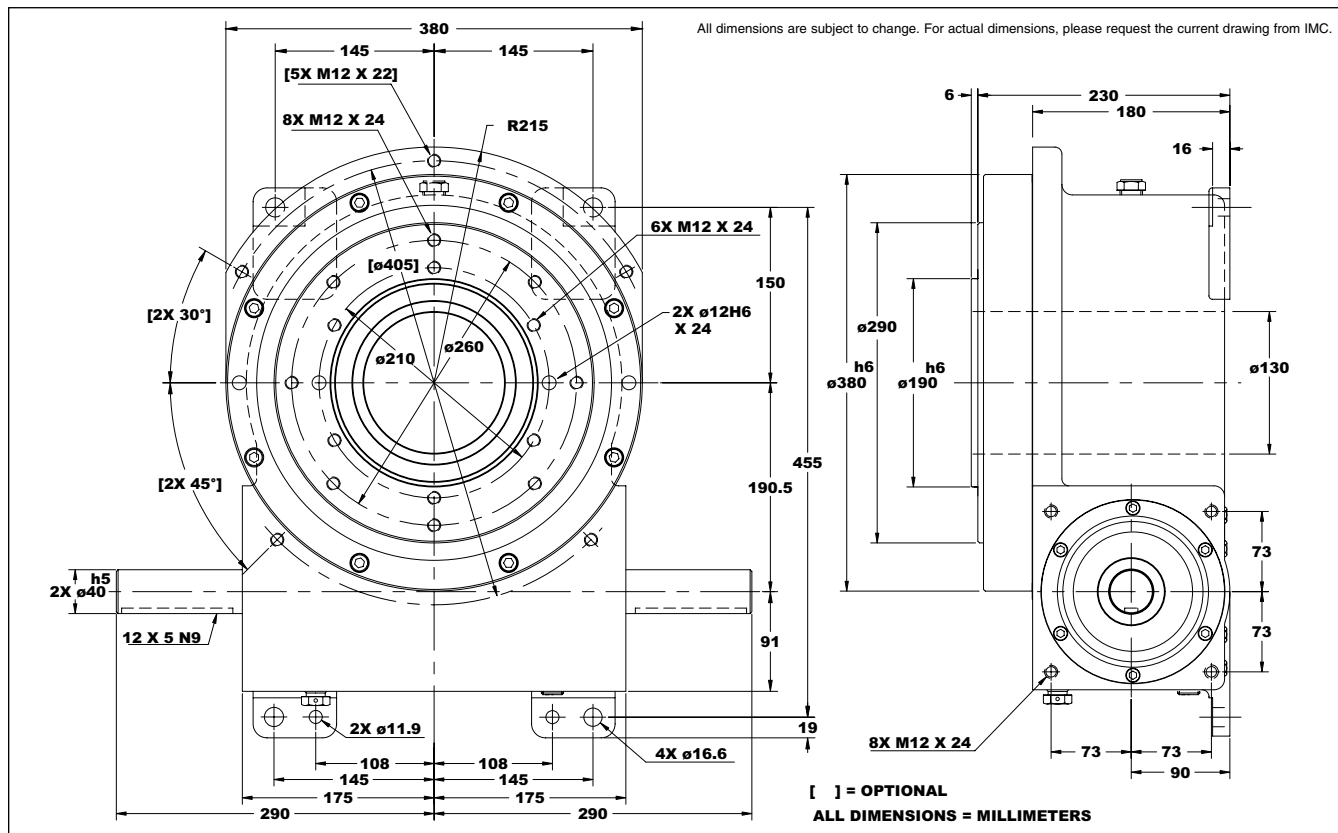
## Optional Accessories

- ◆ 1 hp AC Drive Package with Inverter Duty Motor and Inverter Drive (up to 60 cpm)
- ◆ R260 Reducer (Ratios from 5:1 to 60:1)
- ◆ Output Overload Clutch model 7.8D
  - Available Settings (in-lbs): 1400, 1700, 2600, 3200, 4200, 5000, 7200, 10000
- ◆ Stationary Center Post
- ◆ Dual Cam and Limit Switch
- ◆ Base Riser Blocks
- ◆ Electric Clutch-Brake
- ◆ Air Clutch-Brake
- ◆ Air Motor Drive Package
- ◆ 225IOC or 260IOC Input OLC
- ◆ Left Hand Cam
- ◆ Relief in Dwell for shot-pin applications
- ◆ Custom Dial Plate



# 1100RDM

B



## 1100RDM Indexer Capacities

Stops (S)	Index Period (β)	Motion	B <sub>10</sub> Capacity at 50 RPM (in-lb)	Internal Inertia (lb-in <sup>2</sup> )	Model
2	330	msc.67	13248	1978	1100RDM2H40-330
3	330	msc.50	15169	1907	1100RDM3H40-330
4	330	msc.33	21780	2019	1100RDM4H48-330
6	270	msc.25	25957	2019	1100RDM6H48-270
8	270	ms	18443	1955	1100RDM8H40-270
	180	msc.50	24196	1955	1100RDM8H40-180
12	270	ms	23992	2019	1100RDM12H48-270
	180	ms	27161	2019	1100RDM12H48-180
	120	ms	21709	1907	1100RDM12H40-120
16	270	ms	18824	1955	1100RDM16H40-270
	180	ms	20824	1907	1100RDM16H40-180
	120	msc.25	24373	1955	1100RDM16H40-120
24	270	ms	31373	2019	1100RDM24H48-270 II
	180	ms	35117	2019	1100RDM24H48-180 II
32	270	ms	25453	1955	1100RDM32H40-270 II
	180	ms	28258	1907	1100RDM32H40-180 II

Other Motions (stops and index periods) available. Contact your IMC sales representative for more information.

## Technical Specifications

### Output Load Capacity – loads carried during index

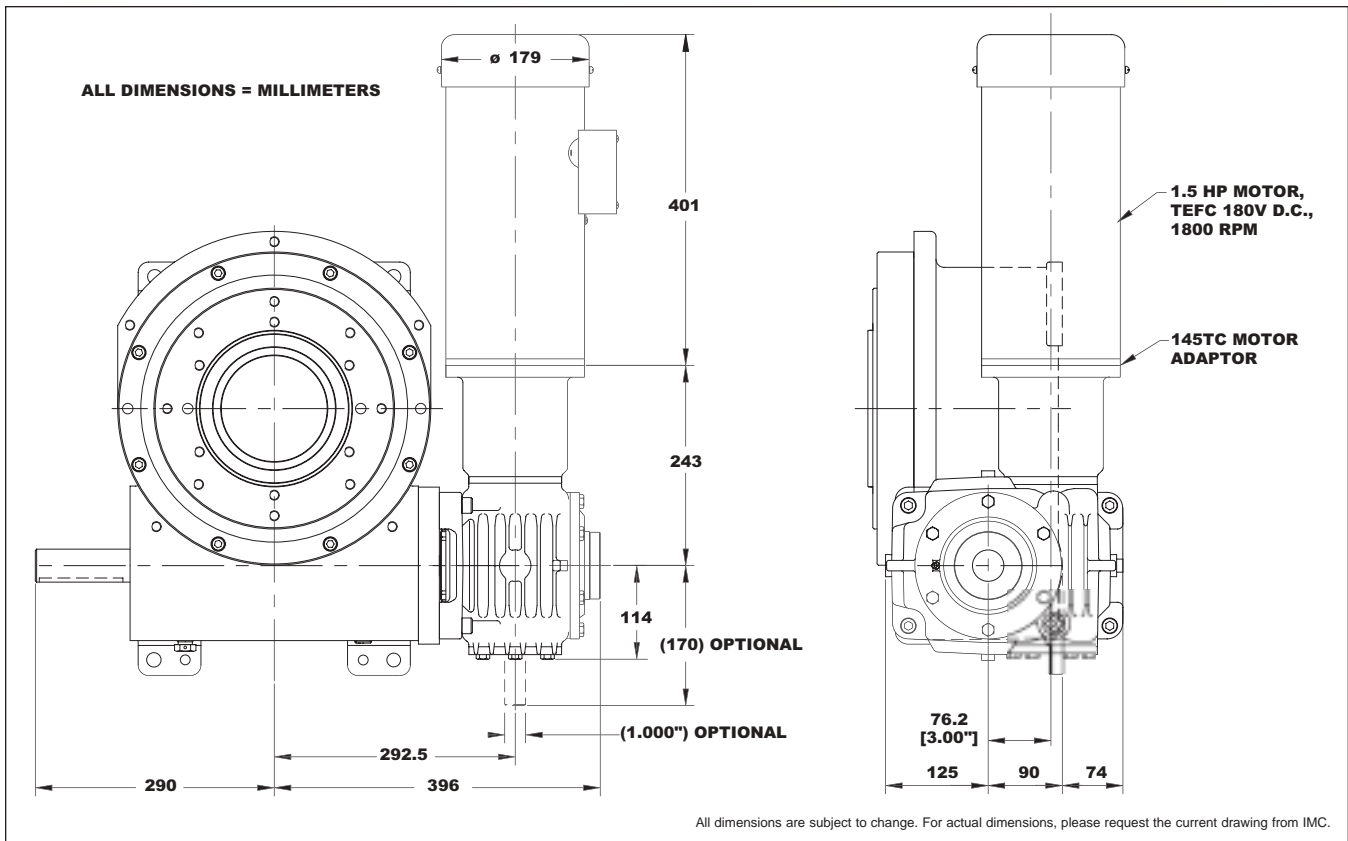
Radial	8744 lbs
Thrust/Axial	20,179 lbs
Moment	24,214 in-lbs

### Typical Application Dial Diameter: 20 in. to 60 in.

**Accuracy** ±22 arcsec / ±.003" at 30" Radius

**Repeatability** ±11 arcsec / ±.0016" at 30" Radius





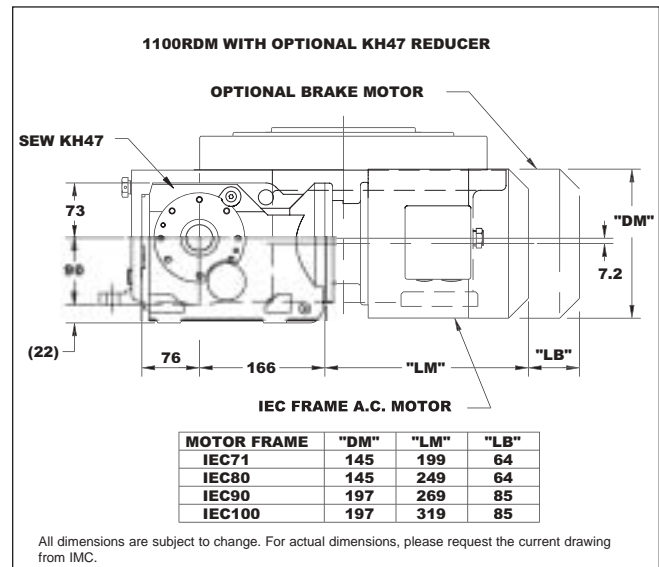
## Standard Package

### 1100RDM Indexer with

- ◆ 7300C Reducer (Ratios from 5:1 to 60:1)
- ◆ Double Extended Camshaft (Input Shaft)
- ◆ Center Thru Hole (130 mm / 5.1 in. Diameter)
- ◆ 1.5 hp DC motor
- ◆ Varipak DC Motor Control (up to 30 cpm)
- ◆ Cycle Cam and Limit Switch Mounted to Camshaft
- ◆ Right Hand Cam

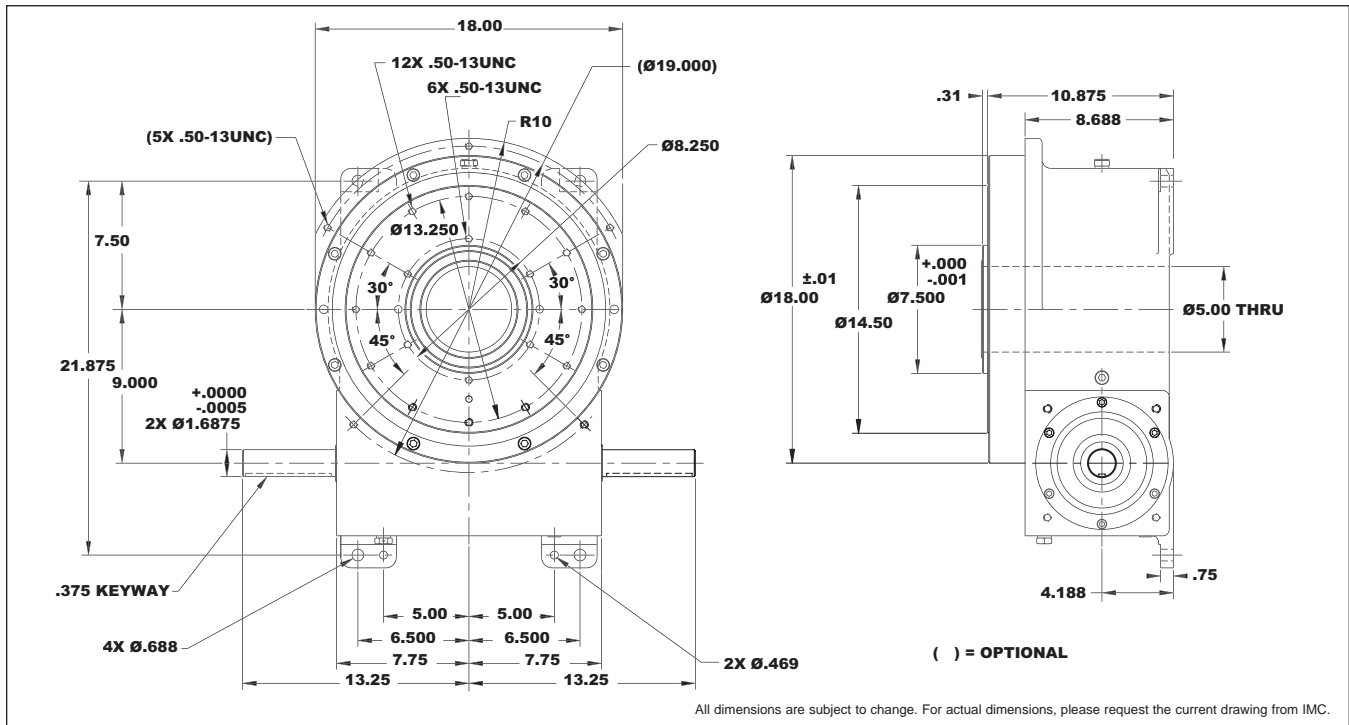
## Optional Accessories

- ◆ KH47 Reducer and AC Motor with Optional Brake
- ◆ AC drive package with Inverter Duty Motor and Inverter Drive (up to 60 cpm)
- ◆ 7350C Heavy Duty Reducer (Ratios from 5:1 to 60:1)
- ◆ Stationary Center Post
- ◆ Dual Cam and Limit Switch
- ◆ Electric Clutch-Brake
- ◆ Air Clutch Brake
- ◆ 300IOC Input OLC
- ◆ Left Hand Cam
- ◆ Relief in Dwell for shot-pin applications
- ◆ Custom Dial Plate



# 1305RDM

B



## 1305RDM Indexer Capacities

Stops (S)	Index Period ( $\beta$ )	Motion	B <sub>10</sub> Capacity at 50 RPM (in-lb)	Internal Inertia (lb-in <sup>2</sup> )	Model
2	330	msc.50	11374	4273	1305RDM2H40-330
3	330	msc.67	24389	4009	1305RDM3H48-330
4	330	msc.25	21640	4415	1305RDM4H48-330
6	270	ms	24014	4415	1305RDM6H48-270
8	270	msc.33	29334	4486	1305RDM8H48-270
8	180	ms	24607	4344	1305RDM8H40-180
12	270	ms	24919	4415	1305RDM12H48-270
	180	ms	27372	4415	1305RDM12H48-180
	120	ms	28835	4415	1305RDM12H48-120
16	270	ms	26692	4486	1305RDM16H48-270
	180	ms	29538	4486	1305RDM16H48-180
	120	msc.33	36506	4486	1305RDM16H48-120
24	270	ms	33371	4415	1305RDM24H48-270 II
	180	ms	36568	4415	1305RDM24H48-180 II
32	270	ms	36514	4486	1305RDM32H48-270 II
	180	ms	40186	4486	1305RDM32H48-180 II
4	360	c.v.	6743	4415	1305RDM0H48-360 4:1
6	360	c.v.	7381	4415	1305RDM0H48-360 6:1
8	360	c.v.	7755	4486	1305RDM0H48-360 8:1
12	360	c.v.	7830	4415	1305RDM0H48-360 12:1

Other Motions (stops and index periods) available. Contact your IMC sales representative for more information.

## Technical Specifications

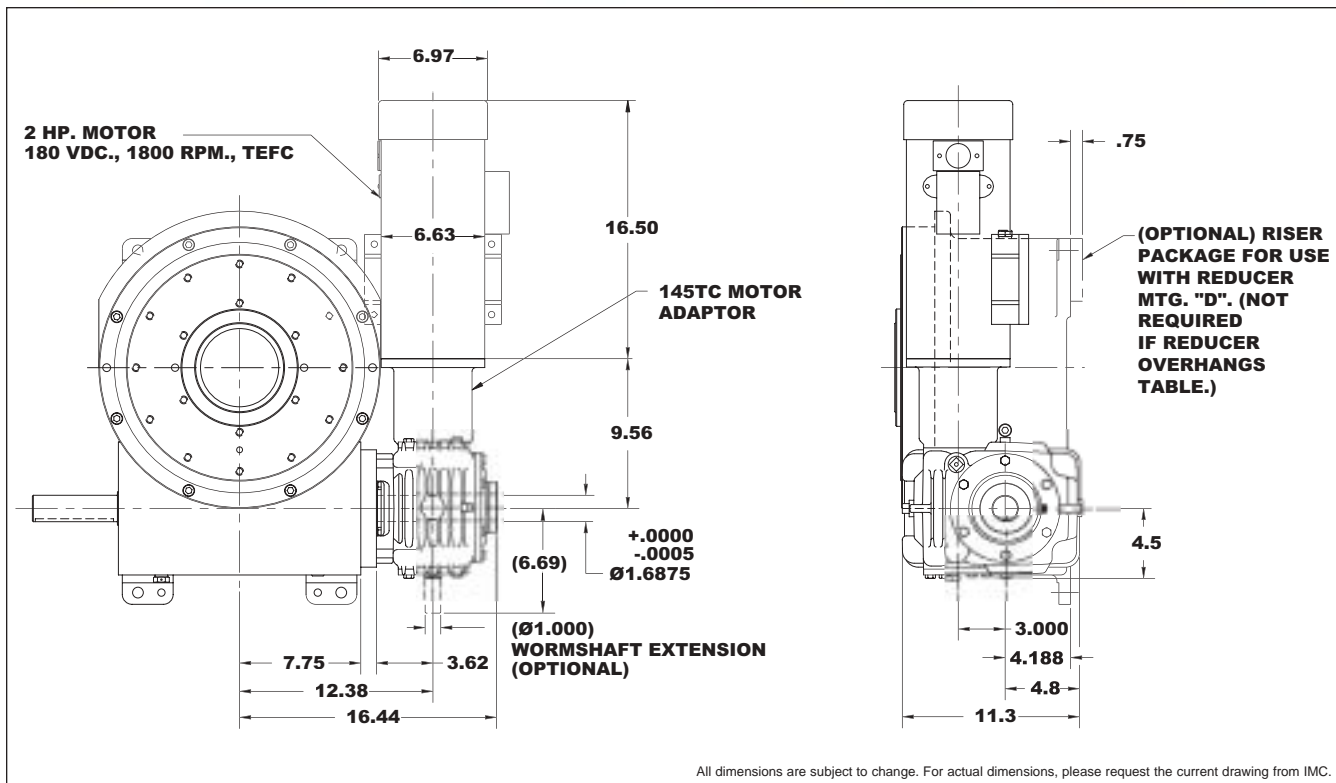
### Output Load Capacity – loads carried during index

Radial	4,650 lbs
Thrust/Axial	11,650 lbs
Moment	34,850 in.-lbs

### Typical Application Dial Diameter: 20 in. to 72 in.

**Accuracy**  $\pm 38$  arcsec /  $\pm .007$ " at 36" Radius

**Repeatability**  $\pm 10$  arcsec /  $\pm .002$ " at 36" Radius



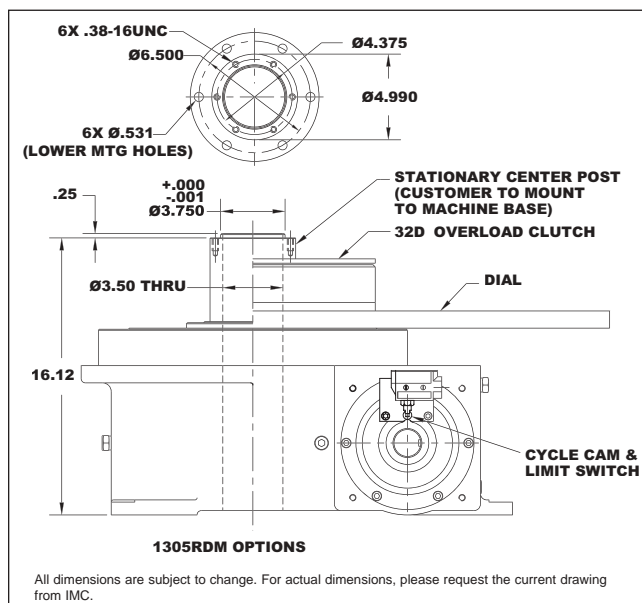
### Standard Package

#### 1305RDM Indexer with

- ◆ 7300C Reducer (Ratios from 5:1 to 60:1)
- ◆ Double Extended Camshaft (Input Shaft)
- ◆ Center Thru Hole (5.00 in. Diameter)
- ◆ 2 hp DC Motor
- ◆ Varipak DC Motor Control (up to 30 cpm)
- ◆ Cycle Cam and Limit Switch Mounted to Camshaft
- ◆ Right Hand Cam

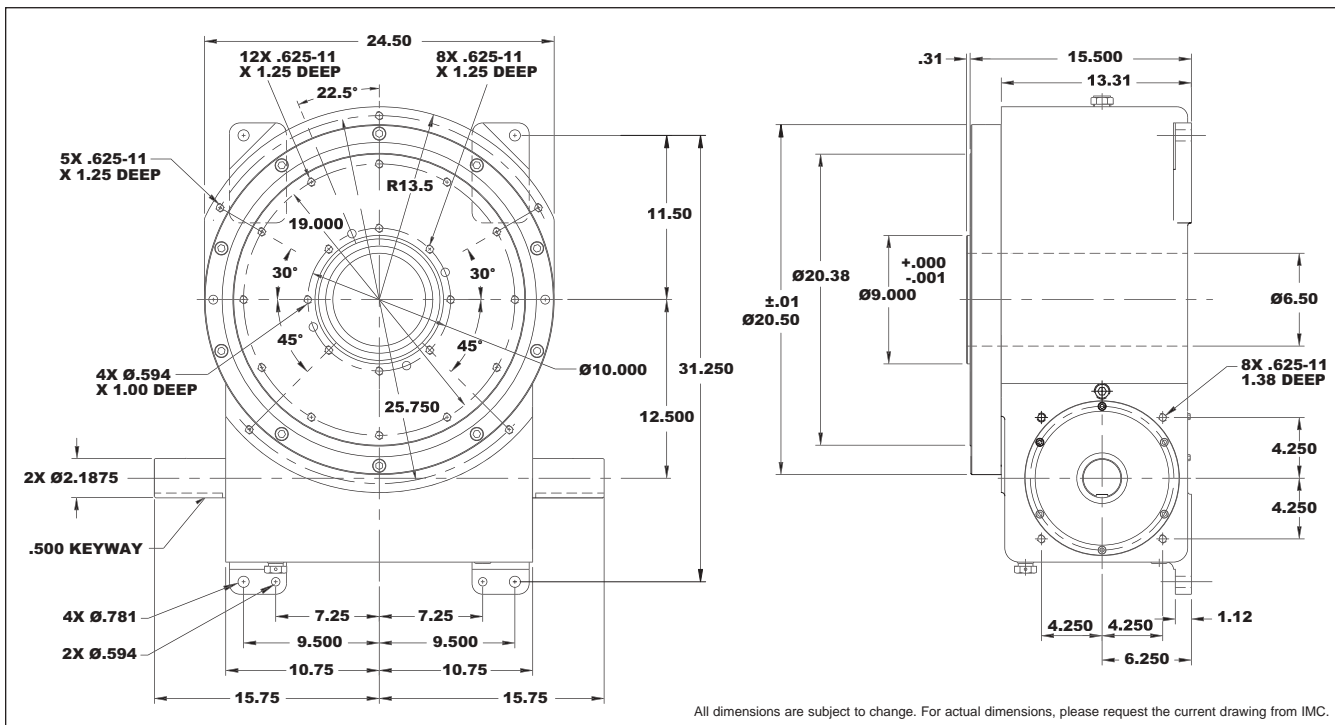
### Optional Accessories

- ◆ 2 hp AC Drive Package with Inverter Duty Motor and Inverter Drive (up to 60 cpm)
- ◆ 7350C Heavy Duty Reducer (Ratios from 5:1 to 60:1)
- ◆ Output Overload Clutch model 32D
  - Available Settings (in-lbs): 8500, 13000, 20000, 31000
- ◆ Stationary Center Post
- ◆ Dual Cam and Limit Switch
- ◆ Base Riser Blocks
- ◆ Electric Clutch-Brake
- ◆ Air Clutch-Brake
- ◆ 300IOC or 350IOC Input OLC
- ◆ Left Hand Cam
- ◆ Relief in Dwell for shot-pin applications
- ◆ Custom Dial Plate



# 1800RDM

B



## 1800RDM Indexer Capacities

Stops (S)	Index Period (β)	Motion	B <sub>10</sub> Capacity at 50 RPM (in-lb)	Internal Inertia (lb-in <sup>2</sup> )	Model
2	330	msc.50	27554	18407	1800RDM2H6-330
3	330	msc.33	48803	18407	1800RDM3H64-330
4	330	msc.25	56570	18407	1800RDM4H64-330
6	270	ms	64301	18407	1800RDM6H64-270
8	270	ms	64868	18985	1800RDM8H64-270
12	270	ms	71214	18407	1800RDM12H64-270
	180	ms	77925	18407	1800RDM12H64-180
16	120	ms	81918	18407	1800RDM12H64-120
	270	ms	64035	18985	1800RDM16H64-270
	180	ms	71219	18985	1800RDM16H64-180
24	120	msc.33	86845	18407	1800RDM16H64-120
	270	ms	86546	18407	1800RDM24H64-270 II
32	180	ms	93113	18985	1800RDM24H64-180 II
	270	ms	86288	18985	1800RDM32H64-270 II
4	360	c.v.	15430	18985	1800RDM0H64-360 4:1
6	360	c.v.	16867	18985	1800RDM0H64-360 6:1
8	360	c.v.	17710	18985	1800RDM0H64-360 8:1
12	360	c.v.	17875	18985	1800RDM0H64-360 12:1
16	360	c.v.	18410	18985	1800RDM0H64-360 16:1

Other Motions (stops and index periods) available. Contact your IMC sales representative for more information.

## Technical Specifications

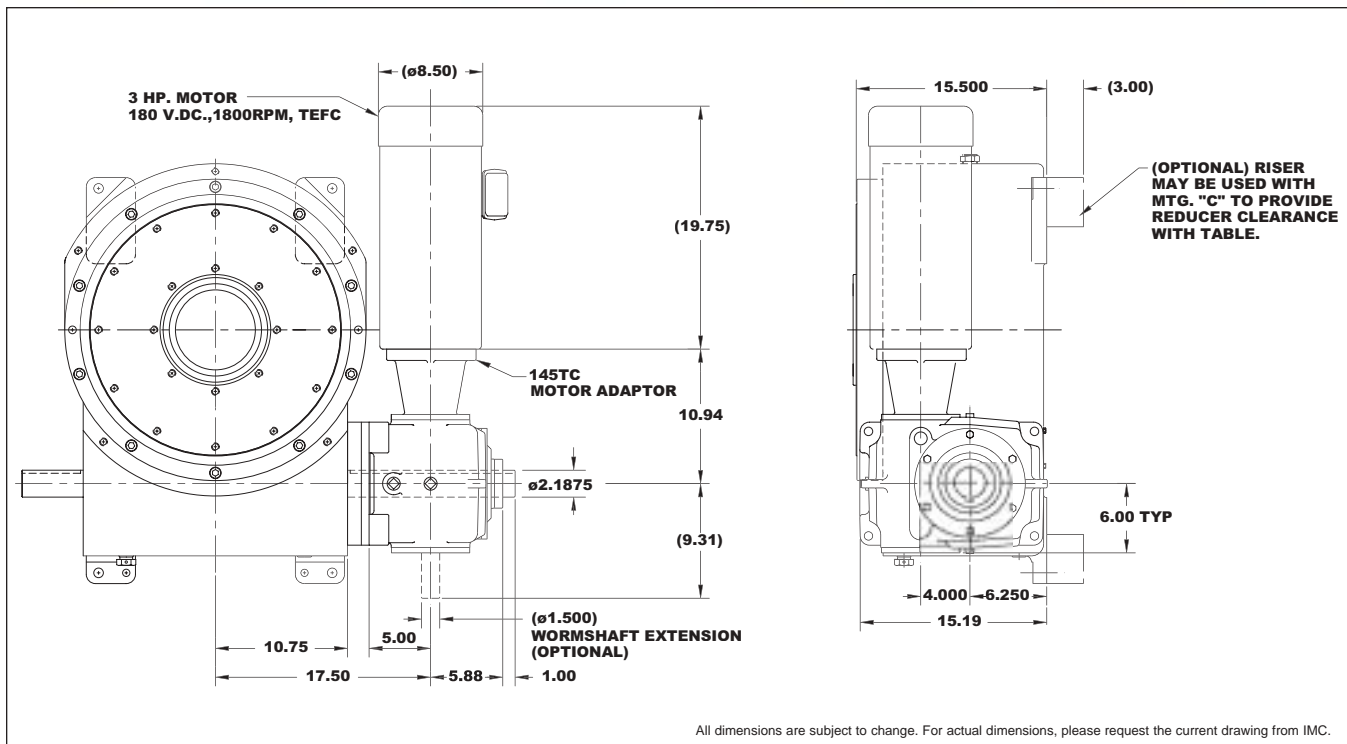
### Output Load Capacity – loads carried during index

Radial	5,850 lbs
Thrust/Axial	14,550 lbs
Moment	61,200 in.-lbs

### Typical Application Dial Diameter: 26 in. to 96 in.

**Accuracy** ±27 arcsec / ±.006" at 48" Radius

**Repeatability** ±7 arcsec / ±.0016" at 48" Radius



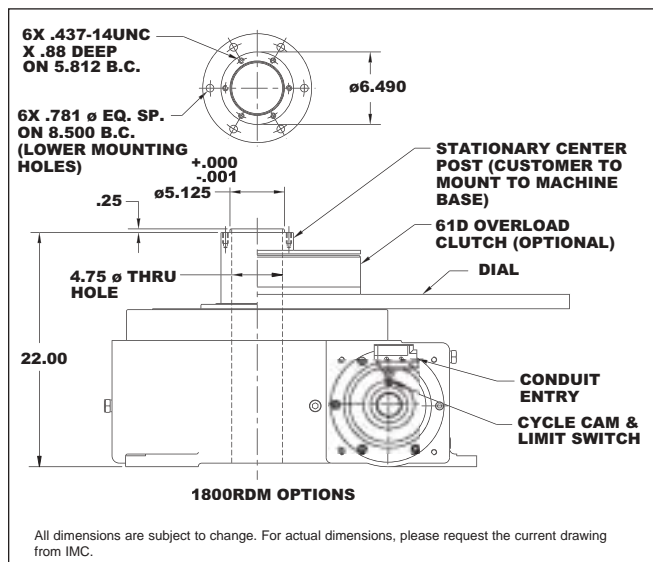
### Standard Package

#### 1800RDM Indexer with

- ◆ 7400C Reducer (Ratios from 5:1 to 60:1)
- ◆ Double Extended Camshaft (Input Shaft)
- ◆ Center Thru Hole (6.50 in. Diameter)
- ◆ 3 hp DC Motor
- ◆ Cycle Cam and Limit Switch Mounted to Camshaft
- ◆ Right Hand Cam

### Optional Accessories

- ◆ 2 or 3 hp AC Drive Package with Inverter Duty Motor and Inverter Drive (up to 60 cpm)
- ◆ 2 hp DC Motor with Varipak DC Motor Control (up to 30 cpm)
- ◆ 7500C Heavy Duty Reducer (Ratios from 5:1 to 60:1)
- ◆ Output Overload Clutch model 61D
  - Available Settings (in-lbs): 23000, 36000, 44000, 50000, 60000
- ◆ Stationary Center Post
- ◆ Dual Cam and Limit Switch
- ◆ Base Riser Blocks
- ◆ Electric Clutch-Brake
- ◆ Air Clutch-Brake
- ◆ 400IOC or 500IOC Input OLC
- ◆ Left Hand Cam
- ◆ Relief in Dwell for shot-pin applications
- ◆ Custom Dial Plate



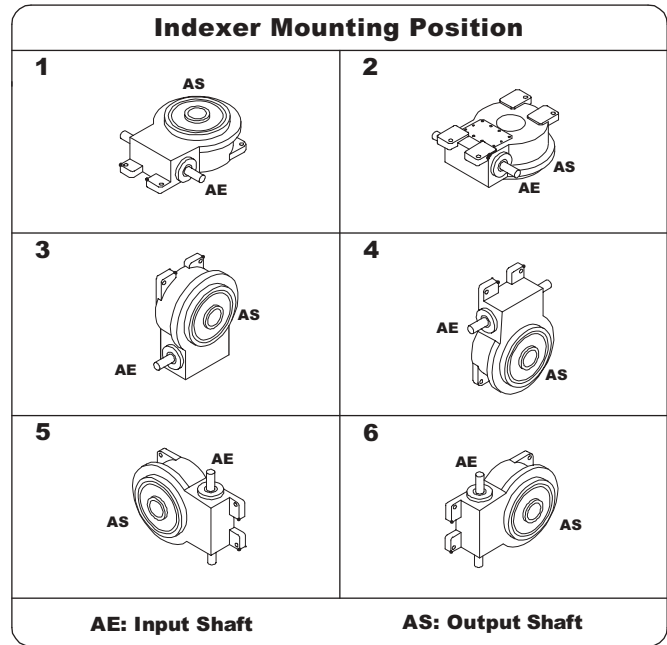
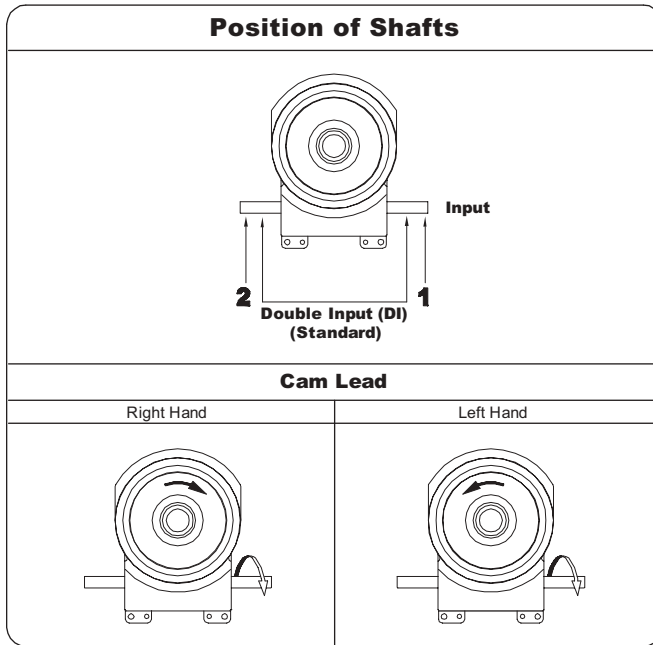
# Indexer Ordering Procedure

1. Model
2. Input Shaft Configuration
  - ◆ Side 1
  - ◆ Side 2
  - ◆ Double Input – DI (Standard)

3. Cam Lead (Helix)
  - ◆ Right Hand (Standard)
  - ◆ Left Hand

NOTE: Input may rotate in either direction to achieve desired direction of output rotation.

4. Indexer Mounting Position: 1-6



# Reducer Ordering Procedure

1. Model
2. Ratio
  - ◆ 5:1, 10:1, 15:1, 20:1, 25:1, 30:1, 40:1, 50:1, 60:1
3. Motor Adapter
4. Reducer Input Shaft Extension
  - ◆ Single Input (SE) or Double Input (DE)

5. Mounting
    - ◆ Mounting Position A, B, C, or D
    - ◆ Mounted on Indexer Side 1 or Side 2
  6. Input Shaft Orientation
    - ◆ Left or Right (See Diagram Below)
- \* Consult IMC for availability of this mounting

