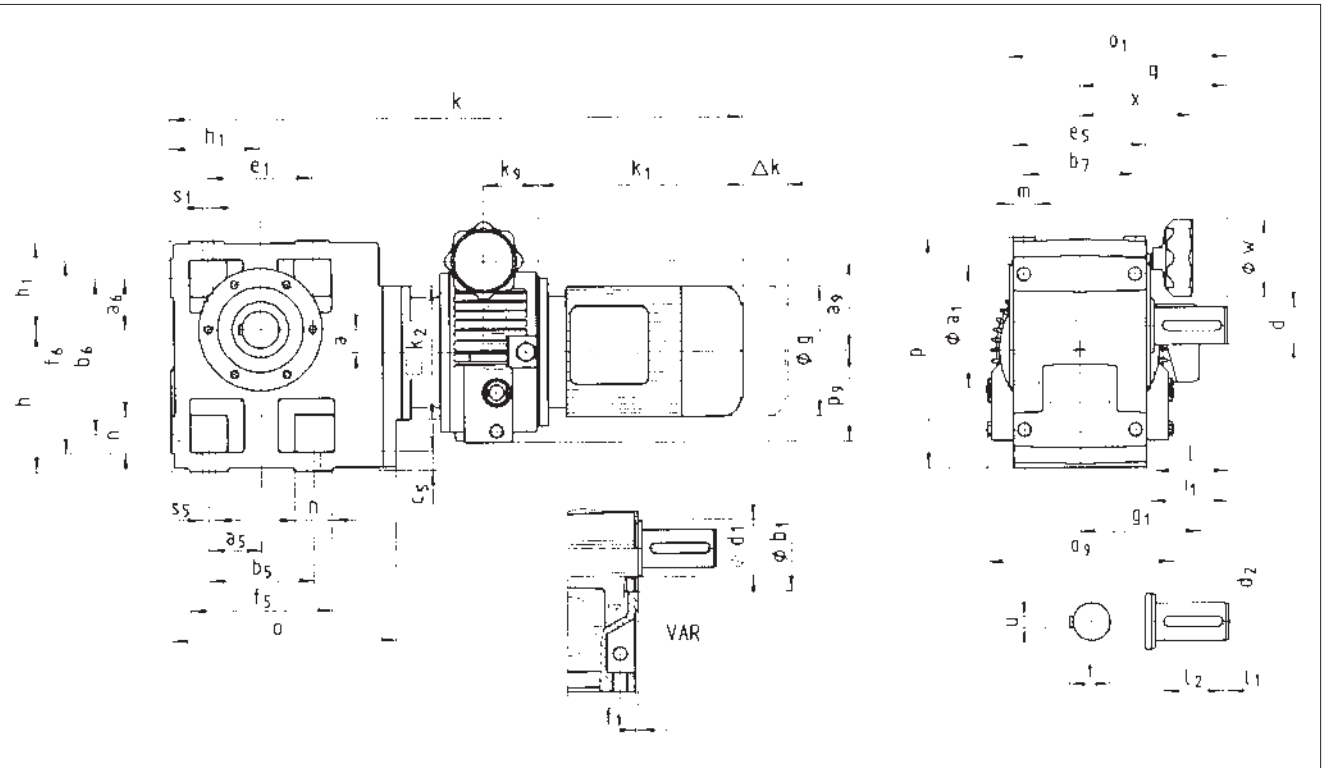
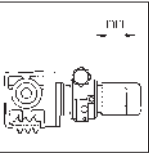


Disco variable speed drives

Dimensions with helical-worm gearboxes



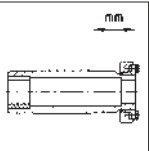
Disco variable speed drives		Drive size										
GSS □□ - 2 D V □ R		071-1□ 02	071-3□ 03	080-3□ 04	090-3□ 05	100-32 06	112-22 07					
Motor	g	143	143	160	180	206	222					
	g₁	Without options	128	128	137	147	140	174				
		Brake motor	131	131	142	154	151	174				
	k₁	237	237	267	350	316	379					
	Δk Brake	54	54	36	48	111	80					
DISCO	a₉	83	86	103	123	149						
	k₂	145	145	180	180	265						
	k₉	42	50	58	74	82						
	o₉	150	175	215	253	305						
	p₉	65	83	98	122	145						
	w	70	70	105	105	105						
	x	105	105	152	152	152						
Gearbox size	Gearbox							Total length				
	o	o₁*	p*	h**	h₁	a	q	k				
GSS 04	181	163	171	100	71	20	1075	554	568	628		
GSS 05	212	197	205	125	80	23	130	576	589	649	761	
GSS 06	255	236	250	150	100	26	160	616	629	689	801	
GSS 07	305	296	310	190	120	33	200			732	844	841 904

Gearbox size	Solid shaft								Pitch circle					Foot												
	d	l	d₁	l₁	l₂	d₂	u	t	a₁	b₁ H7	e₁	f₁	i₁	s₁	a₅	a₆	b₅	b₆	b₇	c₅	e₅	f₅	f₆	n	m	s₅
GSS 04	25	50	45	4	40	M10	8	28	105	75	90	3	52.5	M6x12	45	45	90	119	85	14	105	112	141	22	20	9
GSS 05	30	60	50	6	45	M10	8	33	118	80	100	4	64	M8x15	47.5	47.5	95	140	105	17	127	124	169	29	21	11
GSS 06	40	80	65	7	63	M16	12	43	140	100	120	4	85	M10x16	60	60	120	170	120	20	145	156	206	36	23	14
GSS 07	50	100	75	8	80	M16	14	53.5	165	115	140	5	105	M12x18	70	70	140	210	150	25	180	185	255	45	28	18

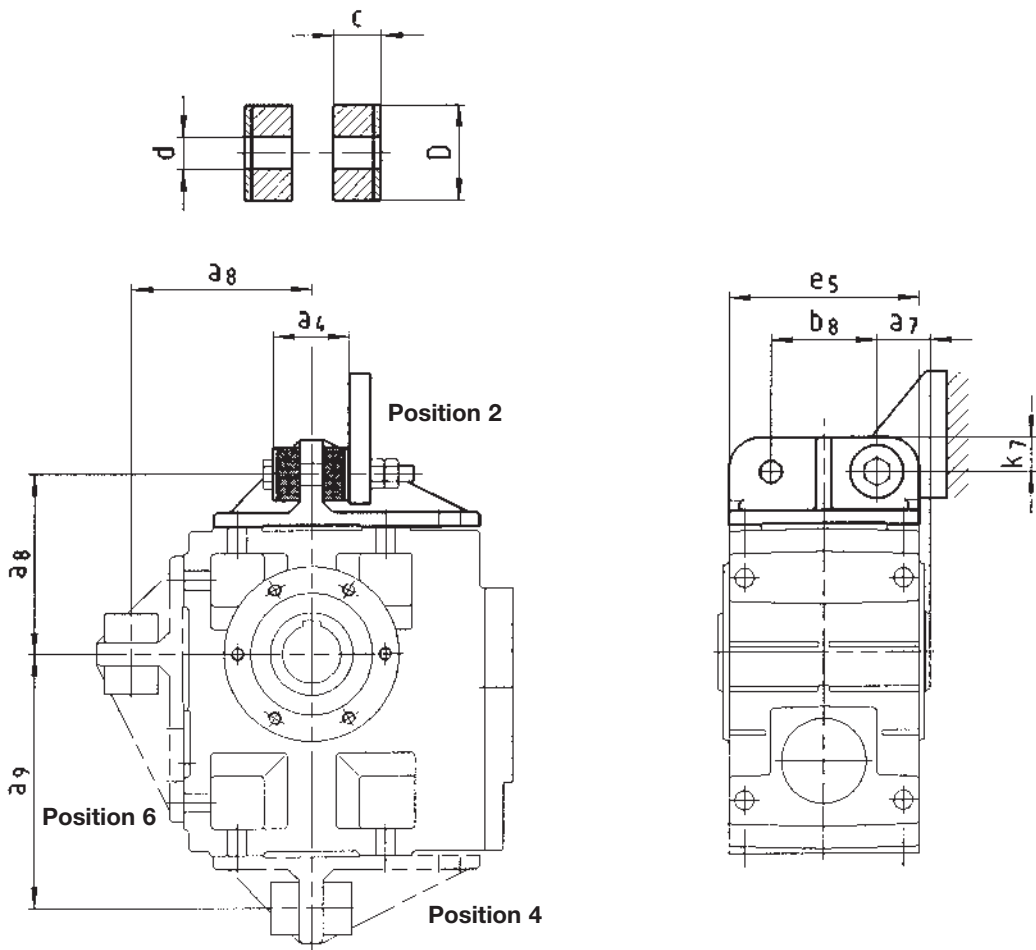
Dimensions in [mm] d ≤ 50 mm: k6 * Observe dimension k₂ 1) Plus 80 mm for handle
 d > 50 mm: m6 ** Observe dimension p₉

Disco variable speed drives

Additional dimensions GSS



Torque plate at housing foot

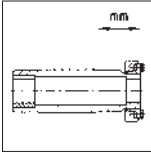


Gearbox size	a_4	a_7	a_8	a_9	b_8	c	d	D	e_5	k_7
GSS 04	41	27.5	106	135	60	14.5	11	30	100	20
GSS 05	45	35	115	160	70	15	13	40	127	25
GSS 06	72	40	145	195	80	27	17	50	145	30
GSS 07	78	50	170	240	100	28	21	60	180	35

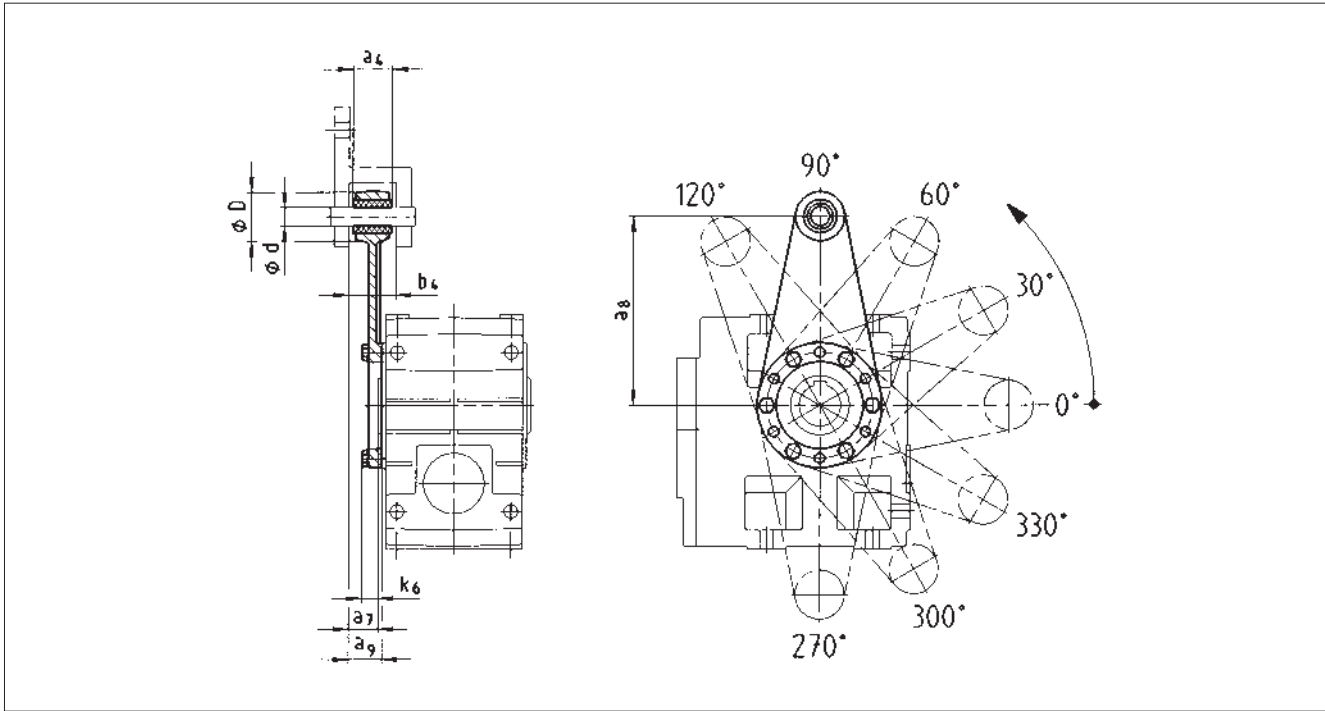
Dimensions in [mm]

Disco variable speed drives

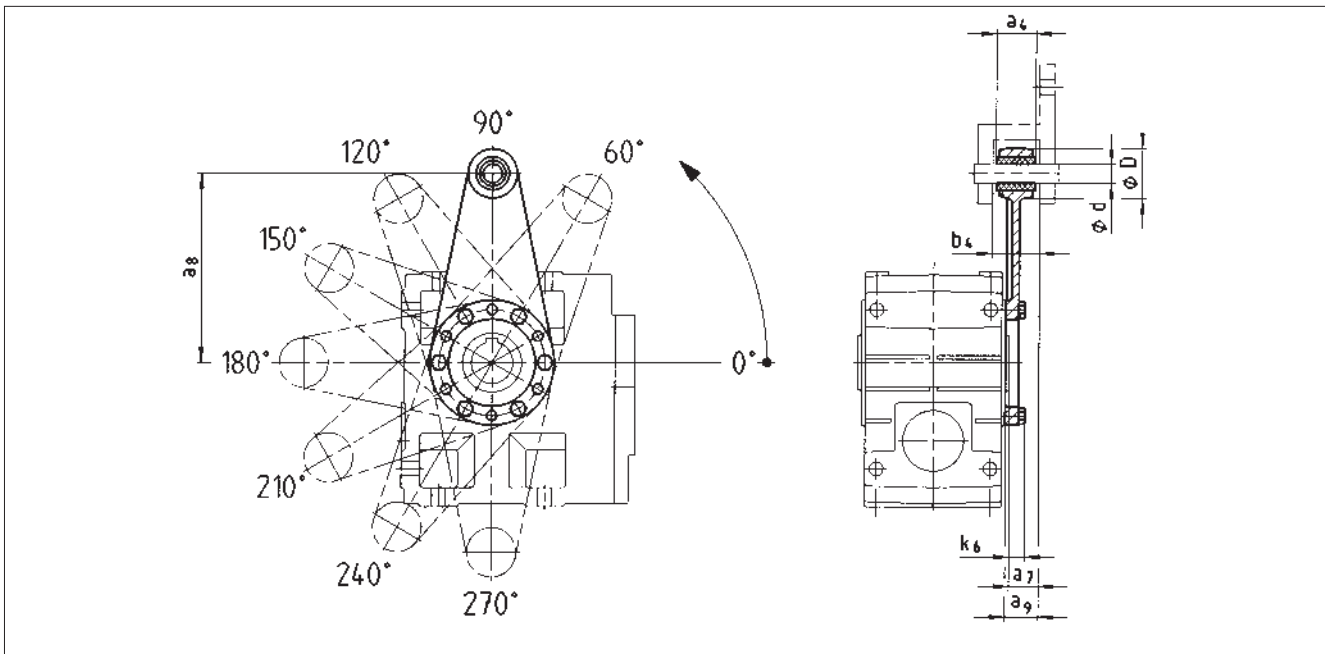
Additional dimensions GSS



Torque plate at pitch circle in position 3



Torque plate at pitch circle in position 5

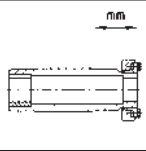


Gearbox size	Assembly space		Torque plate					
	a ₇	b ₄	a ₄	a ₈	a ₉	d	D	k ₆
GSS 04	24	34.5	30	130	26.5	12	35	16
GSS 05	23.5	38.5	34	160	27.5	16	45	15
GSS 06	28	44.5	40	200	33	20	50	18
GSS 07	32.5	50.5	46	250	37.5	25	65	21

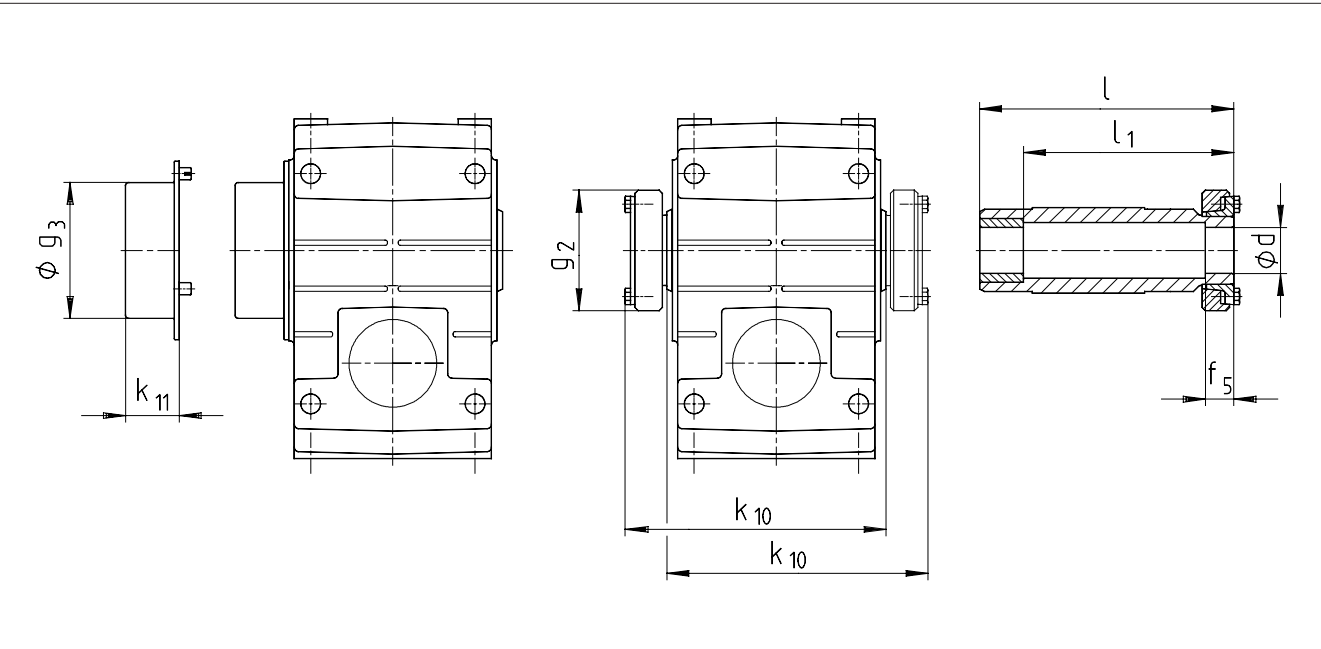
Dimensions in [mm]

Disco variable speed drives

Additional dimensions GSS



Hollow shaft with shrink disc



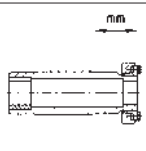
Gearbox size	Machine shaft		Hollow shaft			Gearbox*		Protection cover	
	d	Fit	l	l ₁	f ₅	g ₂	k ₁₀	g ₃	k ₁₁
GSS 04	25 30	h6	142	122	26	72	146	79	41
GSS 05	30 35	h6	168	148	28	80	171	90	43
GSS 06	40	h6	194	164	30	90	197	100	49
GSS 07	50	h6	232	192	26	110	234	124	49

* Ensure sufficient strength of shaft material for shrink disc designs. When using customary steel (e.g. C45, 42CrMo4), the torques indicated in the selection tables can be transferred without any reservation. When using materials of a lower strength, please contact Lenze.
 The average peak-to-valley height R_z should not exceed 15 μm. (Turning operation is sufficient).

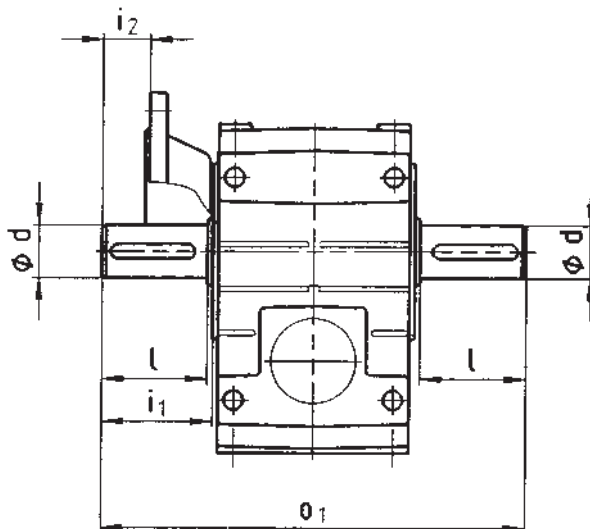
Dimensions in [mm]

Disco variable speed drives

Additional dimensions GSS □ □



Gearboxes with 2nd output shaft end



Gearbox size	d	l	i_1	i_2	o_1
GSS 04	25	50	52.5	17	215
GSS 05	30	60	64	27	260
GSS 06	40	80	85	39	320
GSS 07	50	100	105	45	400

Dimensions in [mm]