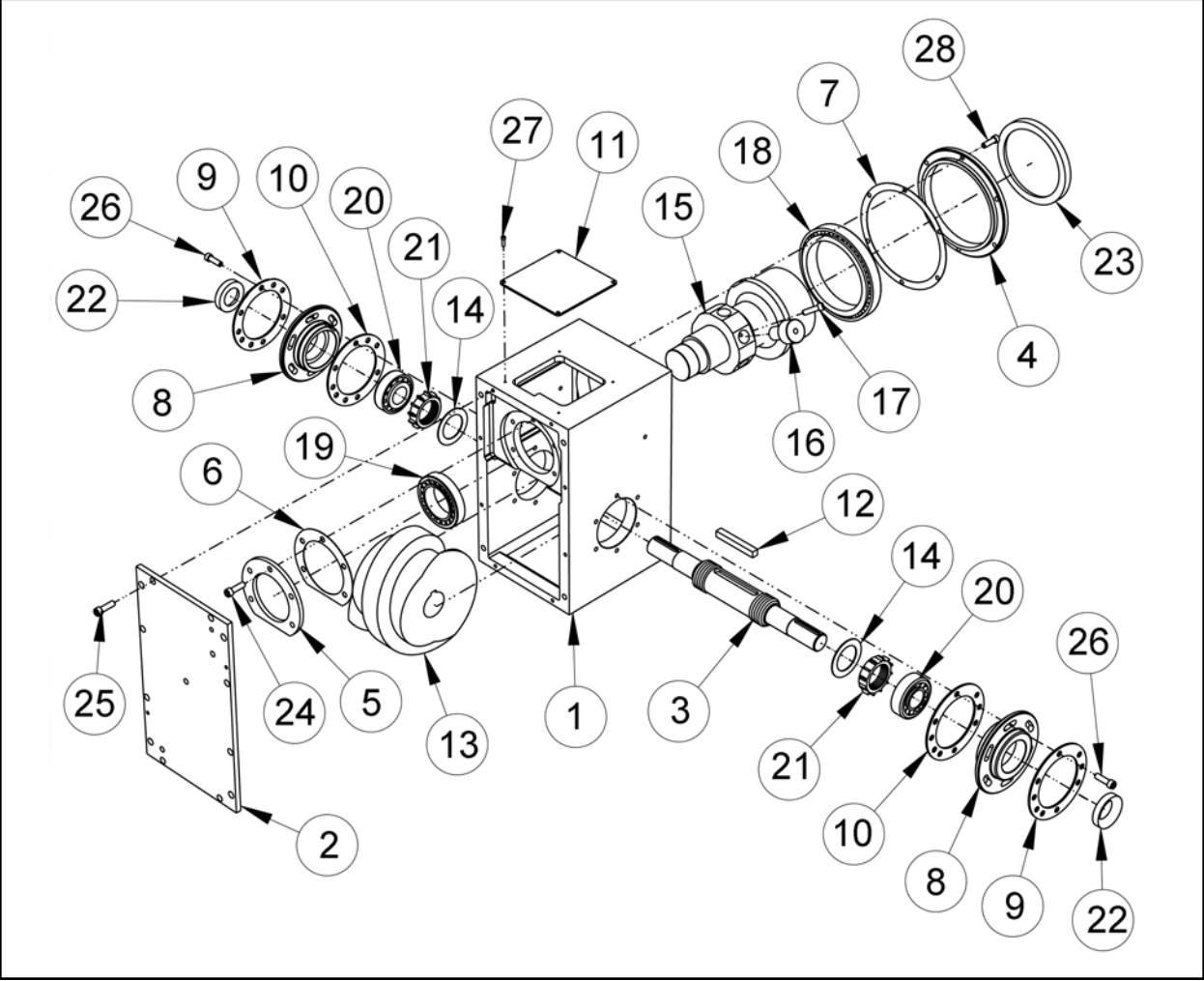


The sketches contained in this document are for illustrative purposes only. They are intended to represent standard components and may not be shown to scale. The various models may be different than shown, depending upon options chosen or the particular configuration of a unit.



FD Series Parts List

- | | | |
|-----------------------------|---|------------------------|
| 1. Housing | 11. Access cover | 20. Timken bearing |
| 2. Cover | 12. Key | 21. Locknut and washer |
| 3. Cover shaft | 13. Cam | 22. Oil seal |
| 4. Output shaft bearing cap | 14. Cam spacer ring
(not all drives) | 23. Oil seal |
| 5. Bearing clamp | 15. Roller gear shaft | 24. Cap screw |
| 6. Shims | 16. Cam follower | 25. Cap screw |
| 7. Shims | 17. Set screw | 26. Cap screw |
| 8. Open eccentric bushing | 18. Timken bearing | 27. Cap screw |
| 9. Eccentric bushing ring | 19. Timken bearing | 28. Cap screw |
| 10. Shims | | |