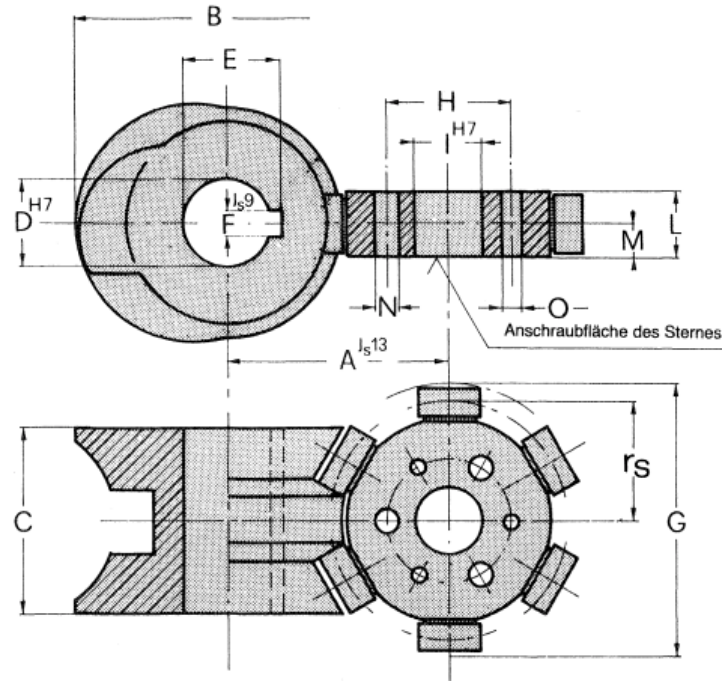


## Abmessungen

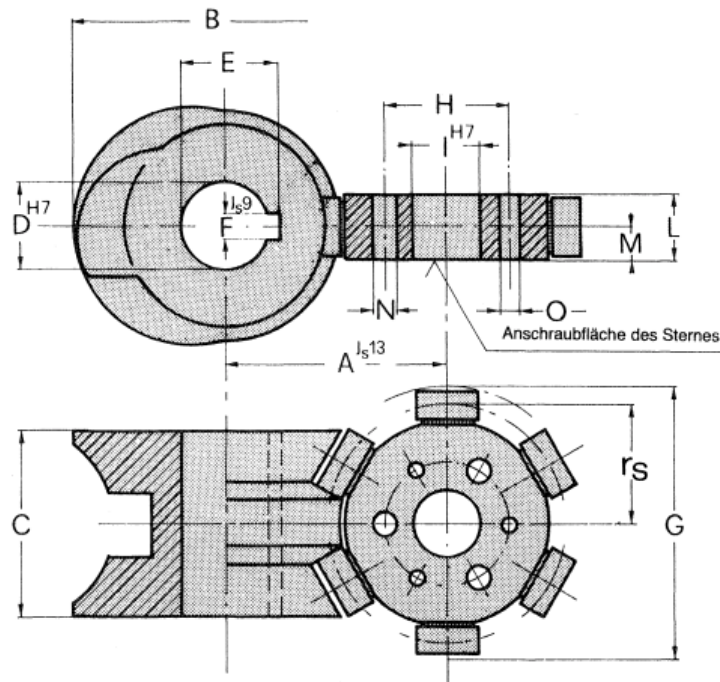
alle Darstellungen in der Mitte einer Rast



Typ	A	ØB	C	Kurve			Stern									
				ØD	E	F	ØG	ØH	ØI	L	M	n	Ø	n	Ø	r <sub>s</sub>
250- 1A 62T-330/23	250	348	194	70	74.9	20	271	110	80	55	25	3	17.0	3	15.0	116
250- 2A 62T-180/3	250	348	182	70	74.9	20	271	110	80	55	25	3	17.0	3	15.0	116
250- 2A 62T-210/3	250	348	182	70	74.9	20	271	110	80	55	25	3	17.0	3	15.0	116
250- 2A 72T-240/3	250	332	192	70	74.9	20	293	110	80	60	30	3	17.0	3	15.0	126
250- 2A 72T-270/3	250	332	192	70	74.9	20	293	110	80	60	30	3	17.0	3	15.0	126
250- 2A 80T-300/3	250	308	212	70	74.9	20	327	110	80	60	30	3	17.0	3	15.0	139
250- 3A 62T-120/3	250	348	182	70	74.9	20	271	110	80	55	25	3	17.0	3	15.0	116
250- 3A 72T-150/3	250	332	192	70	74.9	20	293	110	80	60	30	3	17.0	3	15.0	126
250- 3A 72T-180/3	250	332	192	70	74.9	20	293	110	80	60	30	3	17.0	3	15.0	126
250- 3A 80T-210/3	250	308	212	70	74.9	20	327	110	80	60	30	3	17.0	3	15.0	139
250- 3A 80T-240/3	250	308	212	70	74.9	20	327	110	80	60	30	3	17.0	3	15.0	139
250- 3A 80T-270/3	250	296	224	70	74.9	20	342	110	80	60	30	3	17.0	3	15.0	147
250- 4A 47T- 90/3	250	316	142	70	74.9	20	261	110	80	45	20	4	17.0	4	15.0	115
250- 4A 52T-120/3	250	296	154	70	74.9	20	286	110	80	50	25	4	17.0	4	15.0	127
250- 4A 52T-150/3	250	296	154	70	74.9	20	286	110	80	50	25	4	17.0	4	15.0	127
250- 4A 52T-180/2	250	294	158	70	74.9	20	286	110	80	50	25	4	17.0	4	15.0	127
250- 4A 62T-210/2	250	268	168	70	74.9	20	321	110	80	55	25	4	17.0	4	15.0	141
250- 4A 62T-240/2	250	268	168	70	74.9	20	321	110	80	55	25	4	17.0	4	15.0	141
250- 4A 62T-270/2	250	268	168	70	74.9	20	321	110	80	55	25	4	17.0	4	15.0	141
250- 4A 80T-315/3	250	246	136	70	74.9	20	366	110	80	60	30	4	17.0	4	15.0	159
250- 5A 35T- 90/2	250	308	112	70	74.9	20	245	110	80	35	15	5	17.0	5	15.0	111
250- 5A 40T-120/2	250	278	128	70	74.9	20	280	110	80	40	20	5	17.0	5	15.0	127
250- 5A 40T-150/2	250	278	128	70	74.9	20	280	110	80	40	20	5	17.0	5	15.0	127
250- 5A 47T-180/2	250	258	134	70	74.9	20	305	110	80	45	20	5	17.0	5	15.0	137
250- 5A 47T-210/1	250	254	134	70	74.9	20	305	110	80	45	20	5	17.0	5	15.0	137
250- 5A 52T-240/1	250	236	146	70	74.9	20	332	110	80	50	25	5	17.0	5	15.0	150
250- 5A 52T-270/1	250	236	146	7C	74.9	20	332	110	80	50	25	5	17.0	5	15.0	150
250- 6A 62T- 90/1	250	348	182	70	74.9	20	271	110	80	55	25	3	17.0	3	15.0	116
250- 6A 72T-120/1	250	332	192	70	74.9	20	293	110	80	60	30	3	17.0	3	15.0	126
250- 6A 80T-150/1	250	308	212	70	74.9	20	327	110	80	60	30	3	17.0	3	15.0	139
250- 6A 80T-180/1	250	308	212	70	74.9	20	327	110	80	60	30	3	17.0	3	15.0	139
250- 6A 80T-210/1	250	296	224	70	74.9	20	342	110	80	60	30	3	17.0	3	15.0	147
250- 6A 80T-240/1	250	296	224	70	74.9	20	342	110	80	60	30	3	17.0	3	15.0	147
250- 6A 80T-270/1	250	296	224	70	74.9	20	342	110	80	60	30	3	17.0	3	15.0	147
250- 8A 52T- 90/1	250	294	158	70	74.9	20	286	110	80	50	25	4	17.0	4	15.0	127
250- 8A 62T-120/1	250	268	168	70	74.9	20	321	110	80	55	25	4	17.0	4	15.0	141
250- 8A 62T-150/1	250	268	168	70	74.9	20	321	110	80	55	25	4	17.0	4	15.0	141
250- 8A 72T-180/1	250	238	182	70	74.9	20	353	110	80	60	30	4	17.0	4	15.0	156
250- 8A 72T-210/1	250	238	182	70	74.9	20	353	110	80	60	30	4	17.0	4	15.0	156
250- 8A 80T-240/1	250	228	176	70	74.9	20	366	110	80	60	30	4	17.0	4	15.0	159
250- 8A 80T-270/1	250	228	176	70	74.9	20	366	110	80	60	30	4	17.0	4	15.0	159

## Abmessungen

alle Darstellungen in der Mitte einer Rast



Typ	A	ØB	C	Kurve			ØG	ØH	ØI	L	Stern					rs
				ØD	E	F					M	n	Ø	n	Ø	
250-10A 47T- 90/1	250	258	134	70	74.9	20	305	110	80	45	20	5	17.0	5	15.0	137
250-10A 52T-120/1	250	236	146	70	74.9	20	332	110	80	50	25	5	17.0	5	15.0	150
250-10A 52T-150/1	250	236	146	70	74.9	20	332	110	80	50	25	5	17.0	5	15.0	150
250-10A 62T-180/1	250	206	156	70	74.9	20	368	110	80	55	25	5	17.0	5	15.0	165
250-10A 62T-210/1	250	206	156	70	74.9	20	368	110	80	55	25	5	17.0	5	15.0	165
250-10A 62T-240/1	250	206	156	70	74.9	20	368	110	80	55	25	5	17.0	5	15.0	165
250-10A 72T-270/1	250	198	142	70	74.9	20	370	110	80	60	30	5	17.0	5	15.0	165
250-12A 40T- 90/1	250	238	116	60	64.4	18	310	110	80	40	20	3	17.0	3	15.0	142
250-12A 47T-120/1	250	218	122	60	64.4	18	337	110	80	45	20	3	17.0	3	15.0	153
250-12A 52T-150/1	250	186	132	60	64.4	18	366	110	80	50	25	3	17.0	3	15.C	167
250-12A 52T-180/1	250	186	132	60	64.4	18	366	110	80	50	25	3	17.0	3	15.0	167
250-12A 52T-210/1	250	186	132	60	64.4	18	366	110	80	50	25	3	17.0	3	15.0	167
250-12A 52T-240/1	250	186	132	60	64.4	18	366	110	80	50	25	3	17.0	3	15.0	167
250-12A 62T-270/1	250	184	122	60	64.4	18	376	110	80	55	25	3	17.0	3	15.0	169
250-16A 35T- 90/1	250	209	92	60	64.4	18	330	110	80	35	15	4	17.0	4	15.0	153
250-16A 40T-120/1	250	177	100	60	64.4	18	366	110	80	40	20	4	17.0	4	15.0	170
250-16A 40T-150/1	250	177	100	60	64.4	18	366	110	80	40	20	4	17.0	4	15.0	170
250-16A 40T-180/1	250	177	100	60	64.4	18	366	110	80	40	20	4	17.0	4	15.0	170
250-16A 47T-210/1	250	166	98	60	64.4	18	385	110	80	45	20	4	17.0	4	15.0	177
250-16A 47T-240/1	250	166	98	60	64.4	18	385	110	80	45	20	4	17.0	4	15.0	177
250-16A 47T-270/1	250	166	98	60	64.4	18	385	110	80	45	20	4	17.0	4	15.0	177
250-20A 30T- 90/1	250	182	82	50	53.8	14	353	110	80	40	20	5	17.0	5	15.0	166
250-20A 32T-120/1	250	182	82	50	53.8	14	353	110	80	40	20	5	17.0	5	15.0	166
250-20A 35T-150/1	250	152	86	50	53.8	14	388	110	80	40	20	5	17.0	5	15.0	182
250-20A 35T-180/1	250	152	86	50	53.8	14	388	110	80	40	20	5	17.0	5	15.0	182
250-20A 40T-210/1	250	139	84	50	53.8	14	405	110	80	40	20	5	17.0	5	15.0	189
250-20A 40T-240/1	250	139	84	50	53.8	14	405	110	80	40	20	5	17.0	5	15.0	189
250-20A 40T-270/1	25C	139	84	50	53.8	14	4C5	110	80	40	20	5	17.0	5	15.0	189
250-24A 26T- 90/1	250	174	68	50	53.8	14	357	110	80	40	20	3	17.0	3	15.0	169
250-24A 30T-120/1	250	142	74	50	53.8	14	394	110	80	40	20	3	17.0	3	15.0	186
250-24A 32T-150/1	250	142	74	50	53.8	14	394	110	80	40	20	3	17.0	3	15.0	186
250-24A 32T-180/1	250	142	74	50	53.8	14	394	110	80	40	20	3	17.0	3	15.0	186
250-24A 32T-210/1	250	142	74	50	53.8	14	394	110	80	40	20	3	17.0	3	15.0	186
250-24A 35T-240/1	250	122	72	50	53.8	14	418	110	80	40	20	3	17.0	3	15.0	197
250-24A 35T-270/1	250	122	72	50	53.8	14	418	110	80	40	20	3	17.0	3	15.0	197