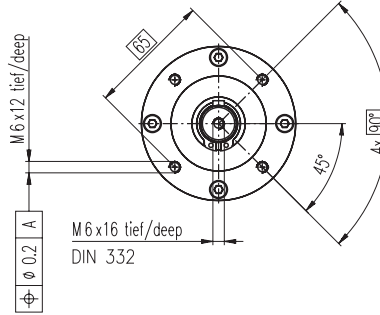
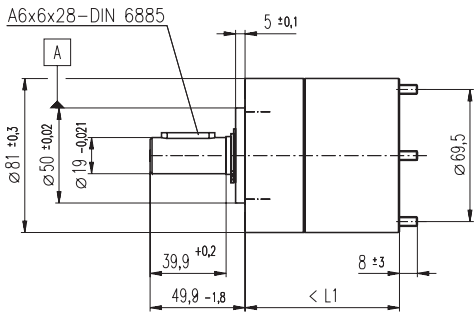


Planetary Gearhead GP 81 $\varnothing 81$ mm, 20 - 120 Nm



M 1:4

- Stock program
- Standard program
- Special program (on request!)

Technical Data

Planetary Gearhead	straight teeth
Output shaft	stainless steel, hardened
Bearing at output	ball bearing
Radial play, 8 mm from flange	max. 0.1 mm
Axial play	max. 1 mm
Max. permissible force for press fits	1500 N
Sense of rotation, drive to output	=
Recommended input speed	< 3000 rpm
Recommended temperature range	-30 ... +140°C
Number of stages	1 2 3
Max. radial load,	
24 mm from flange	400 N 600 N 1000 N
Max. permissible axial load	80 N 120 N 200 N
Average backlash no load*	$\leq 1^\circ$ $\leq 1.5^\circ$ $\leq 2^\circ$

*Options: low-play version

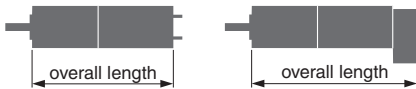
Order Number

110408	110409	110410	110411	110412	110413
--------	--------	--------	--------	--------	--------

Gearhead Data

	3.7 : 1	14 : 1	25 : 1	51 : 1	93 : 1	308 : 1
1 Reduction	3.7 : 1	14 : 1	25 : 1	51 : 1	93 : 1	308 : 1
2 Reduction absolute	$\frac{63}{17}$	$\frac{3969}{289}$	$\frac{1701}{68}$	$\frac{250047}{4913}$	$\frac{107163}{1156}$	$\frac{19683}{64}$
3 Max. motor shaft diameter	mm 14	14	14	14	14	14
4 Number of stages	1	2	2	3	3	3
5 Max. continuous torque	Nm 20	60	60	120	120	120
6 Intermittently permissible torque	Nm 30	90	90	180	180	180
7 Max. efficiency	% 80	75	75	70	70	70
8 Weight	g 2300	3000	3000	3700	3700	3700
9 Gearhead length L1*	mm 84.0	105.7	105.7	127.3	127.3	127.3

*for EC 60 is L1 + 8 mm



Combination

+ Motor	Page	+ Tacho / Encoder	Page	+ Brake	Page	Overall length [mm] = Motor length + gearhead length + (tacho / encoder / brake) + assembly parts					
RE 75, 250 W 83						285.6	307.3	307.3	328.9	328.9	328.9
RE 75, 250 W 83		Digital Encoder HED_ 55	236/238			325.6	347.3	347.3	368.9	368.9	368.9
RE 75, 250 W 83				Brake 75	272	325.6	347.3	347.3	368.9	368.9	368.9
RE 75, 250 W 83		Digital Encoder HED_ 55	236/238	Brake 75	272	365.5	387.2	387.2	408.8	408.8	408.8
EC 60, 400 W 163						269.4	291.1	291.1	312.7	312.7	312.8
EC 60, 400 W 163		Digital Encoder HEDL 9140	241			269.4	291.1	291.1	312.7	312.7	312.8
EC 60, 400 W 163		Resolver 26	247			269.4	291.1	291.1	312.7	312.7	312.8
EC 60, 400 W 163				Brake 41	273	283.0	304.7	304.7	326.3	326.3	326.4
EC 60, 400 W 163		Digital Encoder HEDL 9140	241	Brake 41	273	307.0	328.7	328.7	350.3	350.3	350.4