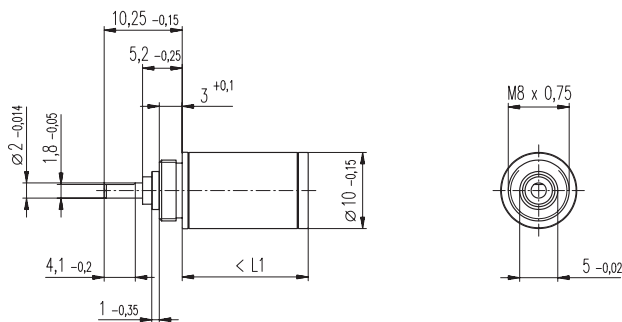


Planetary Gearhead GP 10 A $\varnothing 10$ mm, 0.01 - 0.15 Nm

Metal Version



M 1:1

Technical Data

Planetary Gearhead	straight teeth
Output shaft	stainless steel
Bearing at output	preloaded ball bearing*
Radial play, 5 mm from flange	max. 0.08 mm
Axial play at axial load	< 2 N 0 mm > 2 N max. 0.04 mm
Max. permissible axial load	5 N
Max. permissible force for press fits	10 N
Sense of rotation, drive to output	=
Recommended input speed	< 8000 rpm
Recommended temperature range	-15 ... +80°C
Number of stages	1 2 3 4 5
Max. radial load	
5 mm from flange	5 N 10 N 15 N 20 N 25 N

*Options: Sleeve bearings

- Stock program
- Standard program
- Special program (on request!)

Order Number

218415 218416 218417 218418 218419

Gearhead Data	218415	218416	218417	218418	218419
1 Reduction	4 : 1	16 : 1	64 : 1	256 : 1	1024:1
2 Reduction absolute	4	16	64	256	1024
3 Max. motor shaft diameter mm	1.2	1.2	1.2	1.2	1.2
3 Number of stages	1	2	3	4	5
4 Max. continuous torque Nm	0.010	0.030	0.100	0.150	0.150
5 Intermittently permissible torque Nm	0.020	0.050	0.150	0.200	0.200
7 Max. efficiency %	90	81	73	65	59
8 Weight g	6.7	7.2	7.7	8.2	8.7
9 Average backlash no load °	1.5	1.8	2.0	2.2	2.5
10 Mass inertia gcm ²	0.005	0.005	0.005	0.005	0.005
11 Gearhead length L1 mm	10.4	14.1	17.2	20.4	23.5

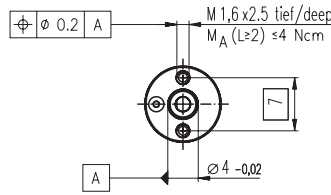
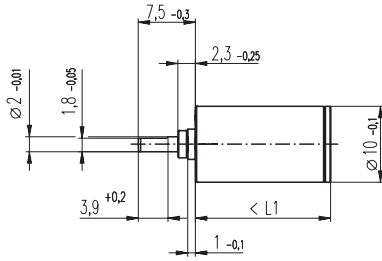


Combination

+ Motor	Page	+ Tacho / Encoder / Brake	Page	Overall length [mm]	= Motor length + gearhead length + (tacho / encoder / brake) + assembly parts					
RE 10, 0.75 W 51 / 52				27.5	31.2	34.3	37.5	40.6		
RE 10, 0.75 W 52		MR Encoder	226/227	33.1	36.8	39.9	43.1	46.2		
RE 10, 0.75 W 52		Digital Magnetic Encoder 10	244	35.6	39.3	42.4	45.6	48.7		
RE 10, 1.5 W 53 / 54				35.1	38.8	41.9	45.1	48.2		
RE 10, 1.5 W 54		MR Encoder	226/227	40.7	44.4	47.5	50.7	53.8		
RE 10, 1.5 W 54		Digital Magnetic Encoder 10	244	43.2	46.9	50.0	53.2	56.3		
A-max 12	99 / 100			31.7	35.4	38.5	41.7	44.8		
A-max 12	100	MR Encoder	226/227	35.6	39.3	42.4	45.6	48.7		

Planetary Gearhead GP 10 K $\varnothing 10$ mm, 0.005 - 0.1 Nm

Plastic Version



Technical Data

Planetary Gearhead	straight teeth
Housing	plastic
Output shaft	stainless steel
Bearing at output	sleeve bearing
Radial play, 5 mm from flange	max. 0.08 mm
Axial play	0.02 - 0.10 mm
Max. radial load, 5 mm from flange	1 N
Max. permissible axial load	2 N
Max. permissible force for press fits	10 N
Sense of rotation, drive to output	=
Recommended input speed	< 8000 rpm
Recommended temperature range	-15 ... +65°C

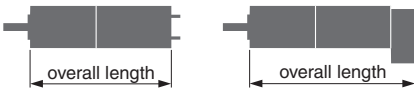
M 1:1

- Stock program
- Standard program
- Special program (on request!)

Order Number

110308	110309	110310	110311	110312
--------	--------	--------	--------	--------

Gearhead Data		110308	110309	110310	110311	110312
1 Reduction		4 : 1	16 : 1	64 : 1	256 : 1	1024:1
2 Reduction absolute		4	16	64	256	1024
3 Max. motor shaft diameter	mm	1.2	1.2	1.2	1.2	1.2
4 Number of stages		1	2	3	4	5
5 Max. continuous torque	Nm	0.005	0.015	0.054	0.100	0.100
6 Intermittently permissible torque	Nm	0.005	0.015	0.054	0.100	0.100
7 Max. efficiency	%	90	80	70	60	55
8 Weight	g	2.1	2.5	2.8	3.2	3.6
9 Average backlash no load	°	1.8	2.0	2.2	2.5	2.8
10 Mass inertia	gcm ²	0.004	0.003	0.003	0.003	0.003
11 Gearhead length L1	mm	10.2	14.3	18.4	22.5	26.6



Combination

+ Motor	Page	+ Tacho / Encoder / Brake	Page	Overall length [mm] = Motor length + gearhead length + (tacho / encoder / brake) + assembly parts				
RE 10, 0.75 W	51 / 52			27.3	31.4	35.5	39.6	43.7
RE 10, 0.75 W	52	MR Encoder	226/227	32.9	37.0	41.1	45.2	49.3
RE 10, 0.75 W	52	Digital Magnetic Encoder 10	244	35.4	39.5	43.6	47.7	51.8
RE 10, 1.5 W	53 / 54			34.9	39.0	43.1	47.2	51.3
RE 10, 1.5 W	54	MR Encoder	226/227	40.5	44.6	48.7	52.8	56.9
RE 10, 1.5 W	54	Digital Magnetic Encoder 10	244	43.0	47.1	51.2	55.3	59.4
A-max 12	99 / 100			31.5	35.6	39.7	43.8	47.9
A-max 12	100	MR Encoder	226/227	35.4	39.5	43.6	47.7	51.8