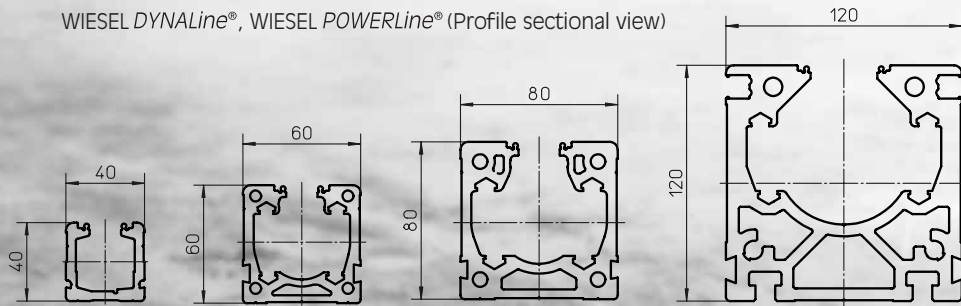


WIESEL DYNALine®, WIESEL POWERLine® (Profile sectional view)



Tolerances of outer dimensions according to DIN 17615 part 3



