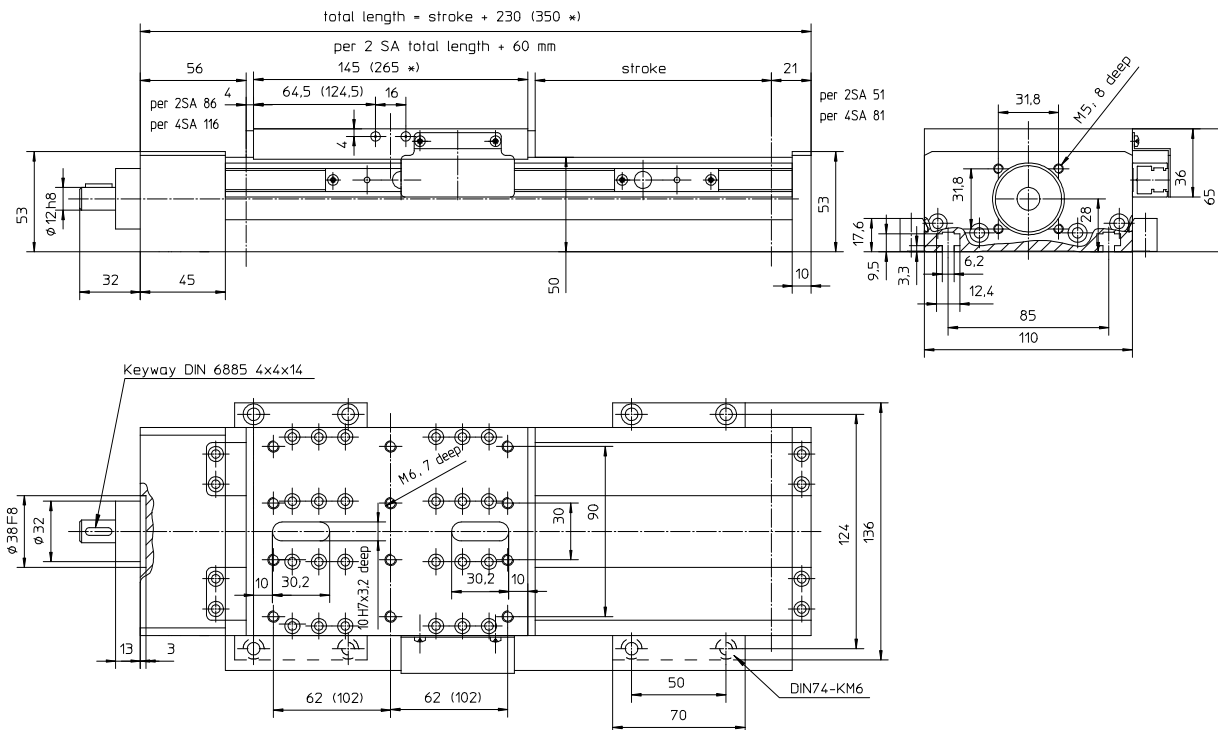


with ball screw and integrated double linear guide



Weights

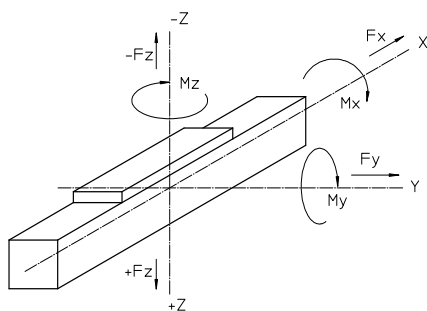
Basic length, no stroke:	6.20 kg
100 mm stroke:	0.75 kg
Carriage:	3.20 kg
Idle torque:	0.90 Nm

SSS

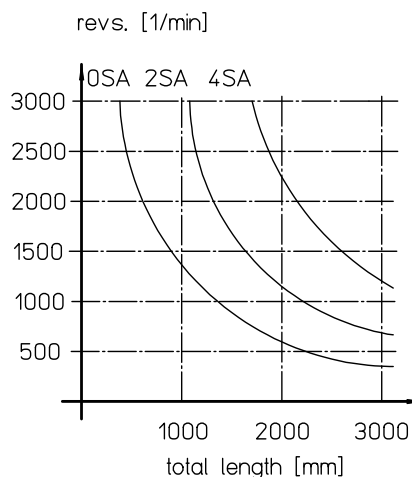
Technical data

Linear speed:	0.1 – 1.0 m/s **
Repeatability:	± 0.03 mm (ball screw)
Acceleration:	max. 20 m/s ²
Mass inertia:	1.15 kgcm ² /m
Drive element:	ball screw drive: diameter: 16 mm pitch: 5, 10, 20 mm up to 1500 mm
Total length:	

Loads and load moments



Screw supports SA



Type	with linear motion guide (SSS)
Load	dynamic [N]
F_x **	2000
F_y	1200
F_z	3000
-F_z	1500
Load moment	dynamic [Nm]
M_x	500
M_y	650
M_z	650

* data in () refers to 265 mm long carriage

** max. data for ball screw 1620