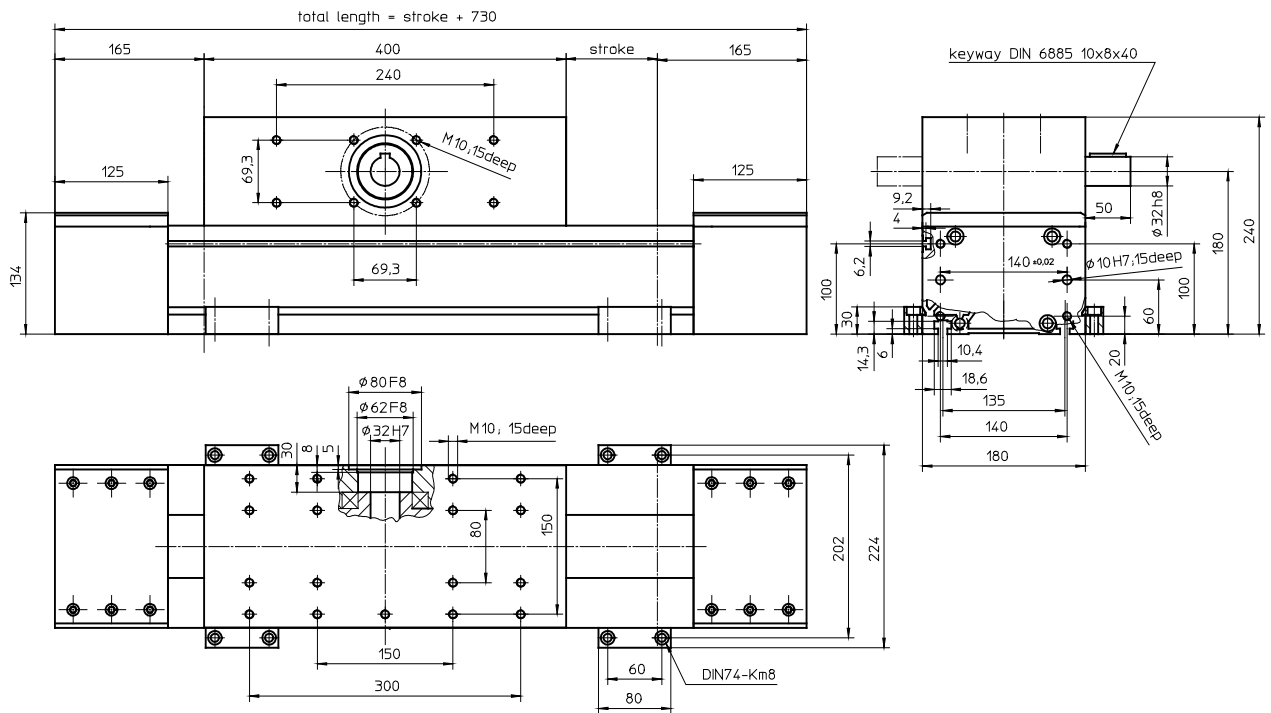


with tooth belt drive, double linear guide



Weights

Basic length, no stroke:
100 mm stroke:
Carriage:

Mass inertia:

ASS

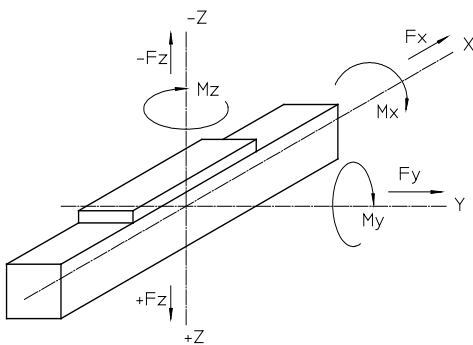
48.90 kg
2.80 kg
25.60 kg

0.062 kgm²

Technical data

Linear speed: max. 8 m/s
Repeatability: ± 0.08 mm
Acceleration: max. 60 m/s²
Idle torque: 8 Nm
Drive element: tooth belt 75 AT 10
Stroke per revolution: 320 mm
Total length: up to 8200 mm (longer on request)

Loads and load moments



Type	with linear guide (ASS)
Load	dynamic [N]
Fx	6000
Fy	6000
Fz	12000
-Fz	6000
Load moment	dynamic [Nm]
Mx	1500
My	3000
Mz	1500