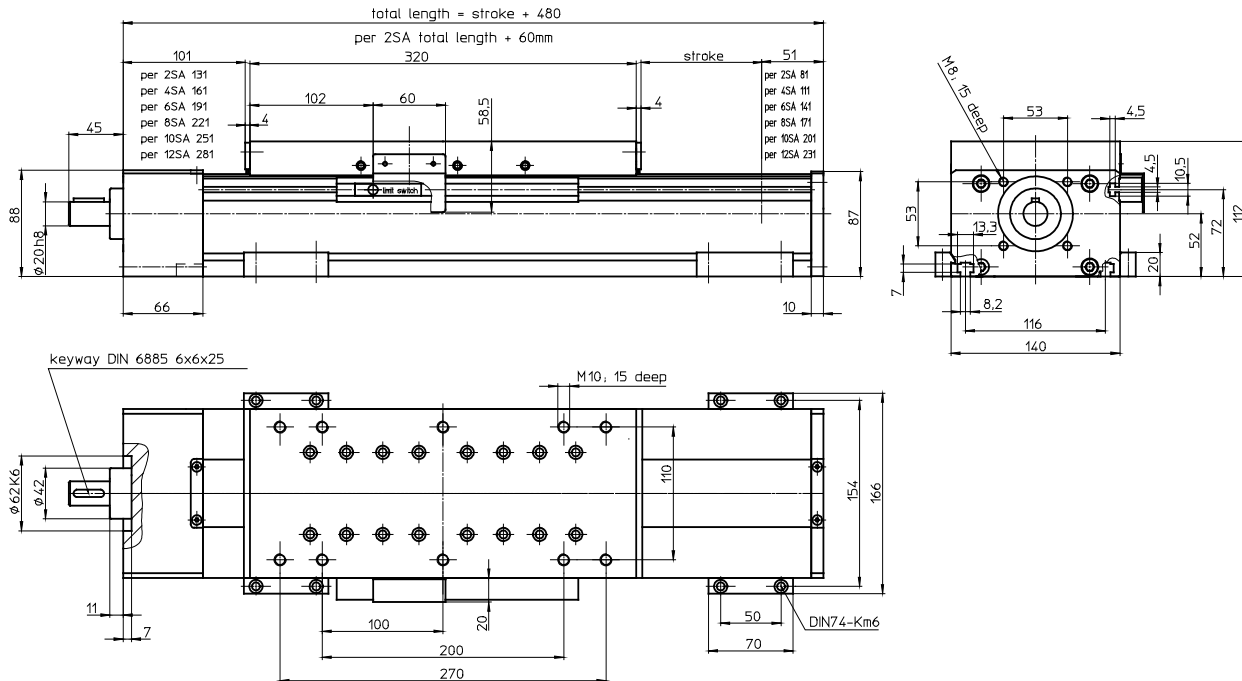


with ball screw, trapezoidal screw, roller guideway or double linear guide



Weights

Basic length, no stroke:
100 mm stroke:
Carriage:
Idle torque:

SRS

14.00 kg
1.40 kg
6.20 kg
1.00 Nm

SSS

15.00 kg
1.90 kg
7.00 kg
1.50 Nm

Technical data

Linear speed:
Repeatability:
Acceleration:
Mass inertia:
Drive element:

0.1 - 2.5 m/s **
 ± 0.03 mm (ball screw)
max. 20 m/s²
2.2 kgcm²/m

ball screw drive:

diameter: 25 mm
pitch: 5, 10, 25, 50 mm

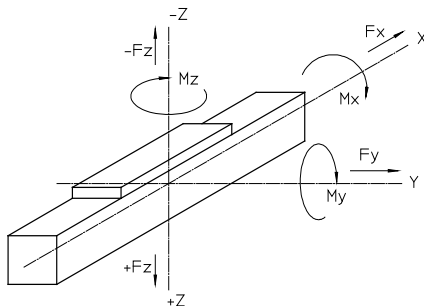
trapezoidal screw:

diameter: 24 mm
pitch: 5 mm

Total length:

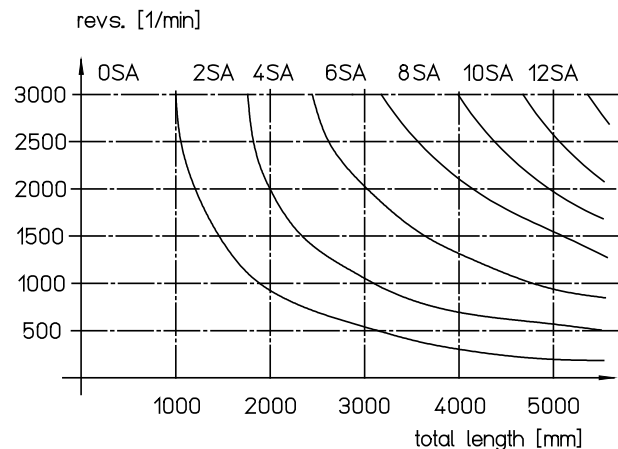
up to 5400 mm (longer on request)

Loads and load moments



Type	with roller guideway (SRS)	with linear guide (SSS)
Load	dynamic [N]	dynamic [N]
F_x **	6000	6000
F_y	2500	2500
F_z	5000	6000
-F_z	3000	4000
Load moment	dynamic [Nm]	dynamic [Nm]
M_x	350	500
M_y	700	1000
M_z	700	1000

Screw supports SA



* MM only for pitch 5 / 10 / 25 possible

** max. data for ball screw 2510