

Accessories

Protection

Bellows F

Length: For each 150 mm of open length up to 1.80 m, allow 8 mm when calculating the closed length. Allow 10 mm for each 150 mm over 1.80 m. The calculated length is added to value C_3 (see page 12) as screw extension.

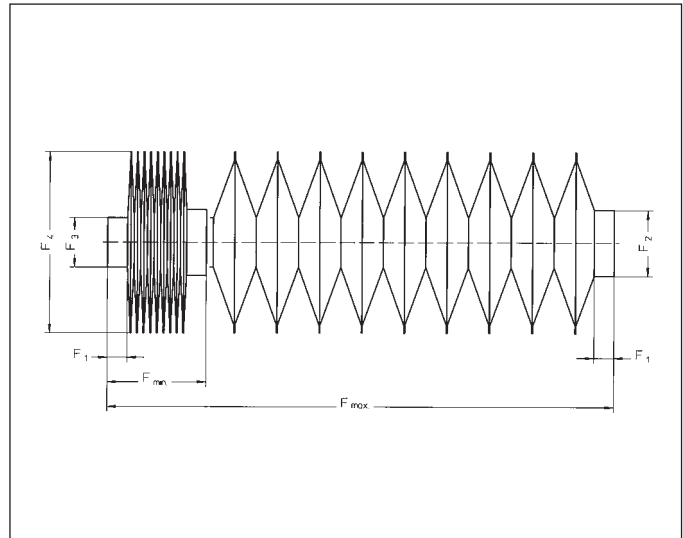
Diameter F_2 may differ on the opposite side, depending on the attachment fitted.

Important: The installation position must be specified, as internal support rings must be fitted when the jack is operated in a horizontal position. When installed vertically, bellows over 2 meters have textile tapes. The same information is also required for the second bellows when ordering version R (rotating screw).

Material: PVC-coated polyester, stitched construction. Temperature range -30 °C to 70 °C. Secured in position by clamping rings. Special versions on request.

Flat spiral spring covers SF

Available on request (refer also to the catalog Screw drives GT, KOKON).



Size		Dimensions [mm]			
		F_1	F_2	F_3	F_4
F MULI 1	N/V TGS ¹⁾	12	30	30	101
	N/V KGS ¹⁾	12	48	30	101
	R	12	30	28	101
F MULI 2	N/V TGS ¹⁾	12	39	39	113
	N/V KGS ¹⁾	12	61	39	113
	R	12	39	32	113
F MULI 3	N/V	20	46	46	127
	R	20	46	38	127
F MULI 4	N/V	20	60	60	140
	R TGS/KGS-4010	20	60	63	140
	R KGS-4005	20	60	53	140
F MULI 5	N/V	20	85	85	152
	R	20	85	72	152
F JUMBO 1	N/V	20	90	90	165
	R	20	90	85	165
F JUMBO 2	N/V	20	105	105	175
	R	20	105	95	175
F JUMBO 3	N/V	20	120	120	191
	R	20	120	105	191
F JUMBO 4	N/V	20	145	145	201
	R	20	145	130	201
F JUMBO 5	N/V	20	170	170	245
	R	20	170	160	245

¹⁾ TGS = Trapezoidal screw
KGS = Ball screw

Accessories

Protection

Limit switches with roller lever

Particularly suitable for end-position shutoff (also available in explosion-proof design).

Actuating cam 30° in accordance with DIN 69 639:

A (Minimum actuating stroke):
2.6 ± 0.5 mm

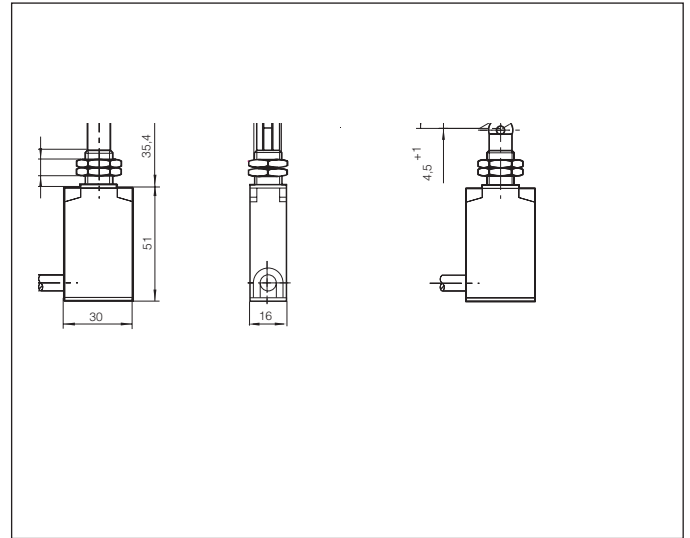
B (Differential stroke):
0.85 ± 0.25 mm

FO (Minimum switch-on force):
1 N

Ve (Approach velocity):
0.001 to 0.1 m/s

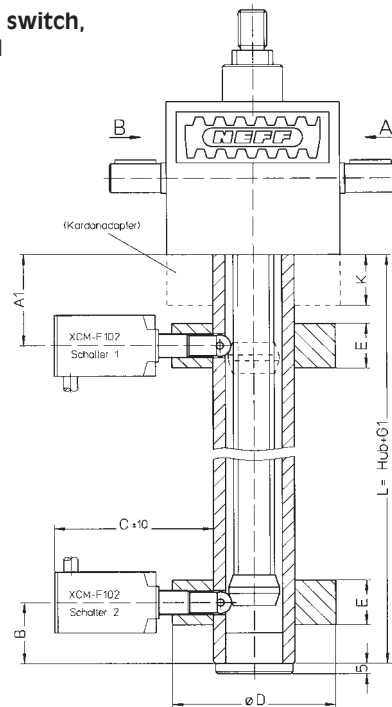
Connection:
5-core cable with PVC sheath,
1 m long
Conductor cross-section
0.75 mm²
Brown/blue: NO contact
Black/black: NC contact
Green/yellow: PE conductor
Switching capacity: NF C 63 146
(IEC 947-5-1)

Ident No. 92203259

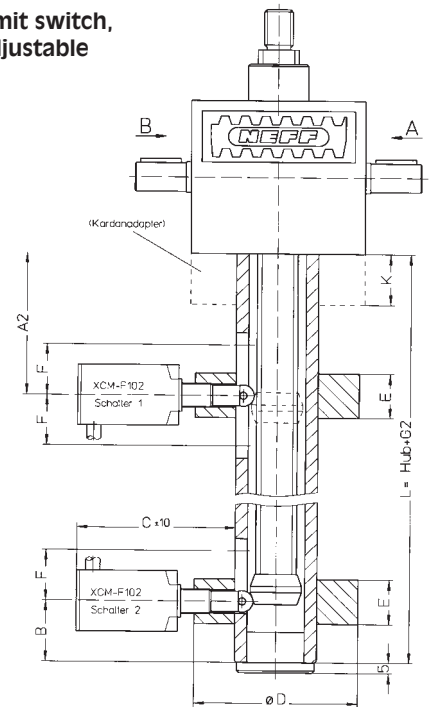


Limit switch installation position

Limit switch, fixed



Limit switch, adjustable



Size

Dimensions (mm)

Size	A1	A2	B	C	ø D	E	F	G1	G2	K
MULI 1	40	65	30	80	80	20	25	82	107	20
MULI 2	45	70	30	80	80	20	25	87	112	25
MULI 3	50	75	30	80	90	20	25	92	117	30
MULI 4	60	85	30	80	100	20	25	102	127	40
MULI 5	70	95	30	80	120	20	25	112	137	50
JUMBO 1	80	105	30	80	140	20	25	122	147	60
JUMBO 2	100	125	30	80	160	20	25	142	167	80
JUMBO 3	100	125	30	80	160	20	25	142	167	80
JUMBO 4	110	135	30	80	170	20	25	152	177	90
JUMBO 5	120	145	30	80	190	20	25	162	187	100