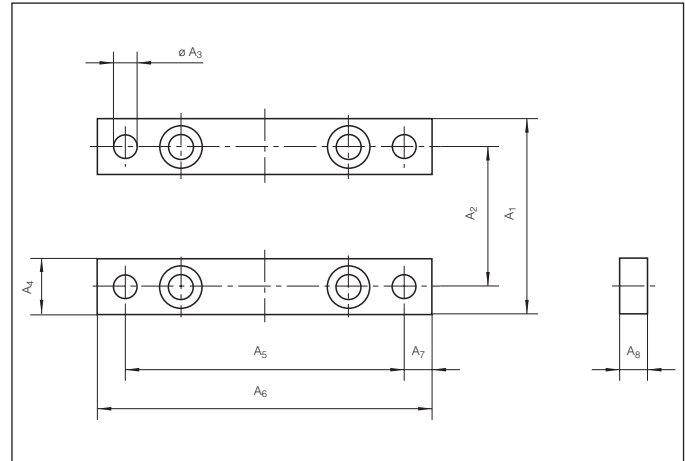


# Accessories

## Mountings

### Mounting feet L

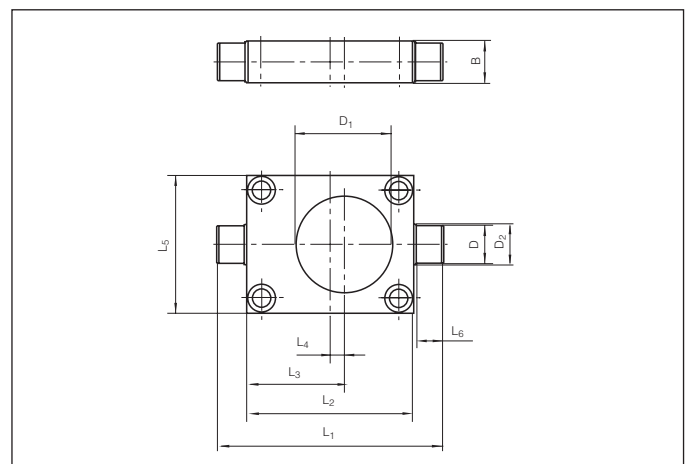
Supplied loose with mounting bolts for jack. Burnished.



Size	Dimensions [mm]								Weight [kg]	Ident No.
	A1	A2	A3	A4	A5	A6	A7	A8		
L MULI 1	72	52	8.5	20	100	120	10	10	0.3	8910030041
L MULI 2	85	63	8.5	20	120	140	10	10	0.4	8910030042
L MULI 3	105	81	11	24	150	170	10	12	0.8	8910030043
L MULI 4	145	115	13.5	30	204	230	13	16	1.7	8910030044
L MULI 5	171	131	22	40	236	270	17	25	3.9	8910030045
L JUMBO 1	205	155	26	50	250	290	20	30	5.8	9203010706
L JUMBO 2	230	170	32	65	290	340	25	40	10	9203010707
L JUMBO 3	230	170	32	65	290	340	25	40	10	9203010707
L JUMBO 4	270	190	39	80	350	410	30	50	20.8	9203010709
L JUMBO 5	330	230	45	100	430	500	35	60	34.4	9203010710

### Trunnion mountings K

Supplied loose with mounting bolts for jack. Burnished.



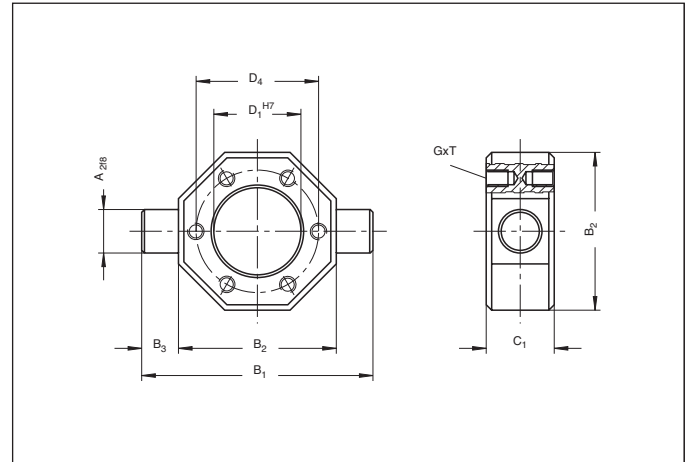
Size	Dimensions [mm]							Df8	D1	D2	B	Weight [kg]	Ident No.
	L1	L2	L3	L4	L5	L6							
K MULI 1	110	80	49	9	72	13	15	44	18	20	0.76	9204050007	
K MULI 2	140	100	60	10	85	18	20	58	23	25	1.44	9204050008	
K MULI 3	170	130	76	11	105	18	25	72	28	30	2.80	9204050009	
K MULI 4	240	180	102	12	145	28	35	86	38	40	7.40	9204050010	
K MULI 5	270	200	117	17	165	33	45	115	48	50	10.72	9204050011	
K JUMBO 1	290	210	120	15	195	38	50	130	56	60	11.8	9204050023	
K JUMBO 2	330	240	140	20	220	43	70	170	76	80	26.1	9204050030	
K JUMBO 3	330	240	140	20	220	43	70	170	76	80	26.1	9204050030	
K JUMBO 4	410	290	165	20	250	58	80	160	88	90	40.2	9204050031	
K JUMBO 5	520	360	210	30	300	78	90	175	96	100	67.7	9204050032	

# Accessories

## Mountings

### Trunnion nut mountings KAR

Trunnion nut mounting for trunnion mounting of the flanged ball screw nut KGF and flanged trapezoidal screw nut EFM.



Size	Type		Dimensions [mm]								Weight [kg]	Ident.-No.
	for KGF	for EFM	A <sub>2</sub>	B <sub>1</sub>	B <sub>2</sub>	B <sub>3</sub>	C <sub>1</sub>	D <sub>1</sub>	D <sub>4</sub>	G x T		
KAR MULI 1	KAR 1605	Tr 16x4/Tr 18x4	12	70	50	10	20	28	38	M 5x10	0.20	89022013
KAR MULI 2	KAR 2005	Tr 20x4/Tr 24x4	16	85	58	13.5	25	32	45	M 6x12	0.30	89022014
KAR MULI 3	KAR 2505	Tr 30x6	18	95	65	15	25	38	50	M 6x12	0.50	89022016
KAR MULI 4	KAR 4005		25	125	85	20	30	53	68	M 6x12	1.20	89022018
	KAR 4010	Tr 40x7	30	140	100	20	40	63	78	M 8x14	2.50	89022019
KAR MULI 5	KAR 5010	Tr 55x9	40	165	115	25	50	72	90	M10x16	2.80	89022020
KAR JUMBO 1	KAR 6310	Tr 60x9	40	180	130	25	50	85	105	M10x16	3.30	89022021
KAR JUMBO 3	KAR 8010		50	200	150	25	60	105	125	M12x18	4.80	89022022