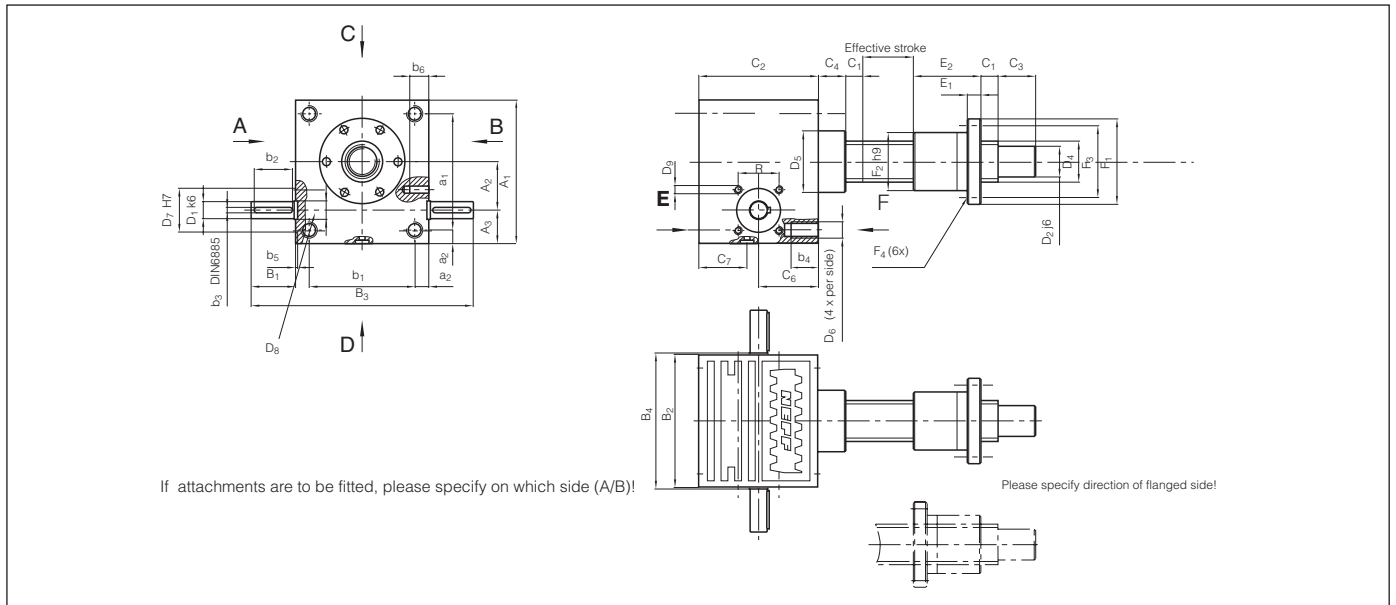


Technical data

Dimensions, version R



Size	Dimensions (mm)																			
	A1 ⁴⁾	A2	A3	a1	a2	B1	B2	B3	B4	b1	b2	b3	b4	b5	C1	C2	C3	C4	C6	C7
MULI 1	80	25	24	60	10	24	72	120	77	52	18	3	13	1.5	12	62	15	12	31	22
MULI 2	100	32	28	78	11	27.5	85	140	90	63	20	5	15	1.5	15	75	20	18	37.5	27
MULI 3	130	45	31	106	12	45	105	195	110	81	36	5	15	2	20	82	25	23	41	29
MULI 4	180	63	39	150	15	47.5	145	240	150	115	36	6	16	2	25	117	30	32	58.5	42.5
MULI 5	200	71	46	166	17	67.5	165	300	170	131	56	8	30	2.5	25	160	45	40	80	53
JUMBO 1	210	71	49	170	20	65	195	325	200	155	56	8	40	8	25	175	55	40	87.5	60
JUMBO 2	240	80	60	190	25	67.5	220	355	225	170	56	8	45	8	25	165	70	40	82.5	60
JUMBO 3	240	80	60	190	25	67.5	220	355	225	170	56	8	45	8	25	165	75	40	82.5	60
JUMBO 4	290	100	65	230	30	65	250	380	255	190	56	10	54	8	25	220	100	50	110	86
JUMBO 5	360	135	75	290	35	100	300	500	305	230	90	14	80	8	30	266	120	60	133	109

Size	Dimensions (mm)																
	D1k6 ³⁾	D2	D4TR	D4KGT	D5 ²⁾	D6	D7H7	D8	D9xb6	□R(TK)	E1 ¹⁾	E2 ¹⁾	F1 ^{1) 2)}	F2 ^{1) 2)}	F3 ^{1) 2)}	F4 ^{1) 2)}	
MULI 1	10 x 21.5	12	Tr18 x 4	1605	29.6/48	M8	28	12	M5x10	32 (45.25)	12/12	44/44	48/48	28/28	38/38	6/5.5	
MULI 2	14 x 25	15	Tr20 x 4	2005	38.7/61	M8	35	15	M6x12	35 (49.5)	12/12	44/44	55/55	32/32	45/45	7/7	
MULI 3	16 x 42.5	20	Tr30 x 6	2505	46	M10	35	17	M8x12	44 (62.2)	14/14	46/46	62/62	38/38	50/50	7/7	
MULI 4	20 x 45	25	Tr40 x 7	4005/4010	60	M12	52	25	M10x15	55 (77.8)	16/16	73/59	95/80	63/53	78/68	9/7	
MULI 5	25 x 65	40	Tr55 x 9	5010	85	M20	52	28	M12x18	60 (84.85)	18/18	97/97	110/110	72/72	90/90	11/11	
JUMBO 1	25 x 62.5	45	Tr60x9	—	90	M24	52	28	M12x18	60 (84.85)	20	99	125	85	105	11	
JUMBO 2	30 x 65	55	Tr70x10	—	105	M30	58	32	M12x18	(80)	30	100	180	95	140	17	
JUMBO 3	30 x 65	60	Tr80x10	8010	120	M30	58	32	M12x18	(80)	30/22	110/101	190/145	105/105	150/125	17/14	
JUMBO 4	35 x 62.5	80	Tr100x10	—	145	M36	72	40	M16x30	(100)	35	130	240	130	185	25	
JUMBO 5	48 x 97.5	95	Tr120x14	—	170	M42	80	50	M16x40	(115)	40	160	300	160	230	28	

1) The first values in the table apply to the trapezoidal screw nut EFM. For dimension 4010 the first values in the table are valid.
 2) The second values in the table apply to the ball screw nut KGF.
 3) Diameter and length to shoulder.
 4) Dimension A1 in accordance with DIN 1685 GTB 18.