

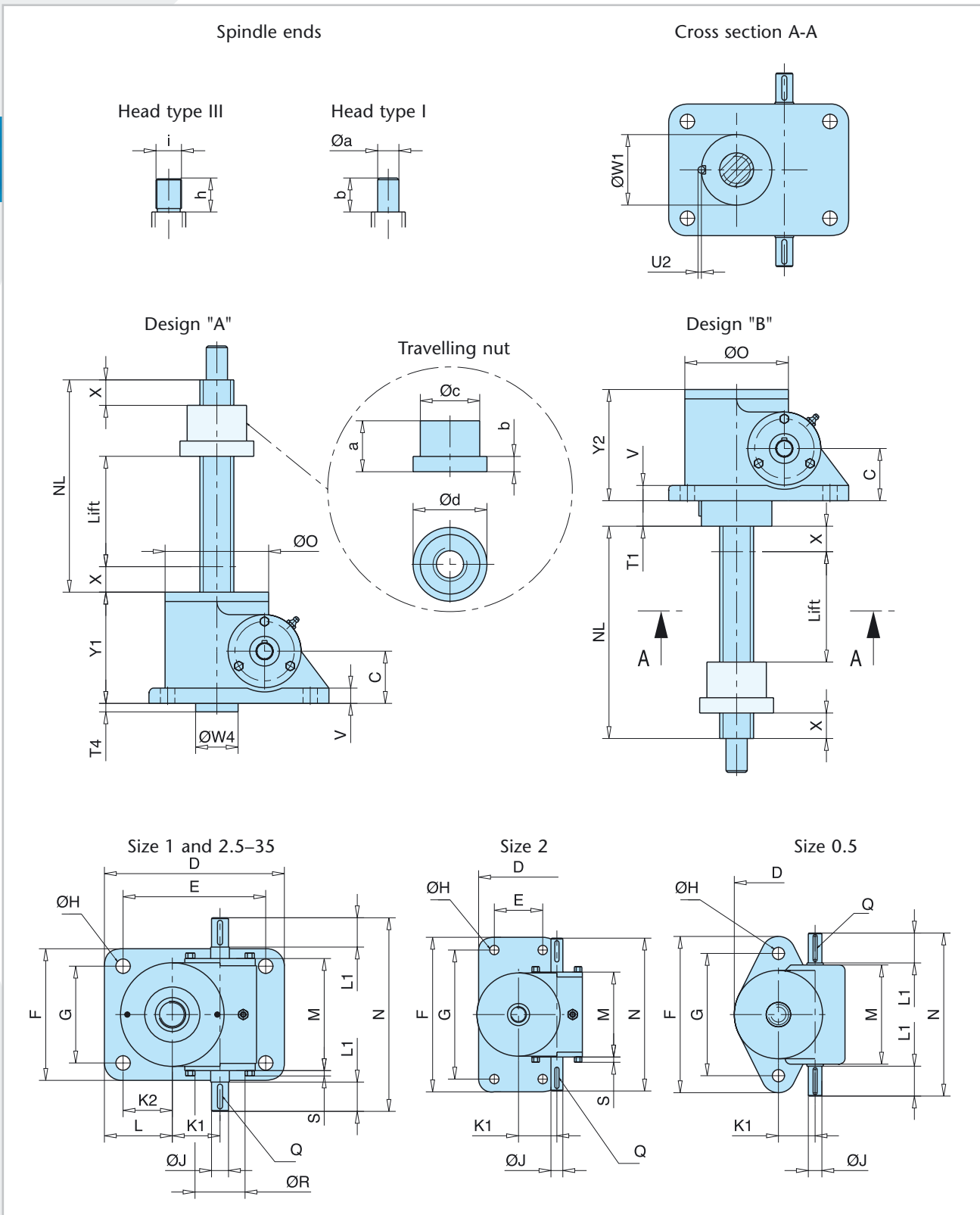
Worm gear screw jacks

3.4 SHE range dimension plans

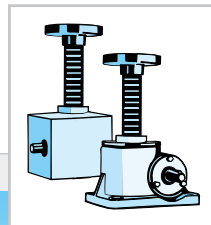
3.4.2 Configuration type 2

3.4.2.1 Standard

3



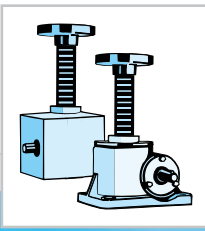
Worm gear screw jacks



3.4 SHE range dimension plans

3

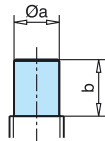
Size	0,5	1	2	2,5	5	10	15	20	25	35
Spindle	Tr 18x6	Tr 22x5	Tr 26x6,28	Tr 30x6	Tr 40x7	Tr 58x12	Tr 60x12	Tr 65x12	Tr 90x16	Tr 100x16
C	32	35	44	45	61,5	70	70	87	102	115
D	81,5	150	94	165	212	235	235	295	350	430
E	-	130	57	135	168	190	190	240	280	360
F	115	100	182	120	155	200	200	215	260	280
G	90	80	152	90	114	155	155	160	190	210
ø H	9	8,5	11	14	17	21	21	28	35	35
ø J _{k6}	10	14	14	16	20	25	25	28	34	38
K 1	27	36	45,2	45,2	56,2	66,8	66,8	72,5	97	120
K 2	-	58	28,5	50	58	63,5	63,5	95	95	135
L	32,5	68	47	65	80	86	86	122,5	130	170
L 1	22	18	-	-	-	52	52	52	60	80
M	73	100	100	110,5	132	172	172	213,5	221	265
N	120	140	180	190	228	280	280	322	355	430
NL	lift+72	lift+80	lift+80	lift+85	lift+100	lift+125	lift+125	lift+150	lift+170	lift+205
ø O	65	Vkt 100	98	98	122	150	150	185	205	260
Q	3x3x20	5x5x16	5x5x25	5x5x32	6x6x32	8x7x45	8x7x45	8x7x45	10x8x50	10x8x70
ø R	-	-	41	38	55	55	55	72	80	100
S	-	-	6	5,5	6	7	7	6	10	10
T 1	18,5	9	24	26,5	30	34	34	39	52	45
T 4	0	9	0	0	0	0	0	0	0	15
U 2	2,5	0	2	3	3	1	1	3	3	4
V	10	10	14	12	18	16	16	20	25	30
ø W 1	45	60	60	68	83	110	110	140	160	180
ø W 4	0	60	0	0	0	0	0	0	0	150
Safety X	20	20	20	20	20	25	25	25	25	30
Y 1	74	79	95	100	131	160	160	194	226	250
Y 2	70	79	93	97	131	150	150	181	211	250
Travelling nut										
a	32	40	40	45	60	75	75	100	120	145
b	10	12	18	15	18	25	25	30	35	35
ø c _{H9}	40	45	50	50	70	90	90	90	130	150
ø d	50	65	76	80	87	110	110	120	155	190
Head I										
ø a _{k6}	10	15	18	20	25	40	40	50	70	80
b	20	24	30	30	40	50	50	60	80	80
Head III										
h	20	24	30	30	39	50	50	60	80	80
i	M 10	M 16x1,5	M 18x1,5	M 22x1,5	M 30x2	M 40x3	M 40x3	M 50x3	M 70x3	M 80x3



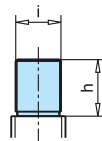
Worm gear screw jacks

3.4 SHE range dimension plans

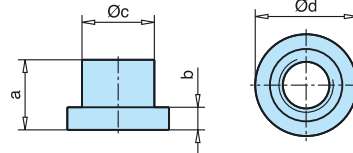
Head type I



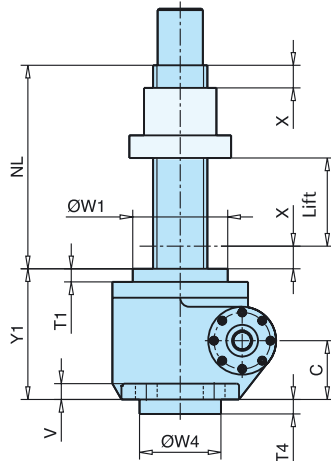
Head type III



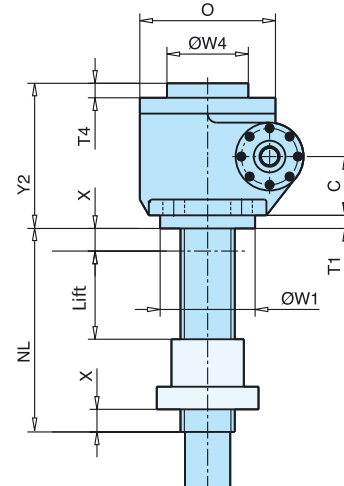
Travelling nut



Design "A"
SHE Size 50



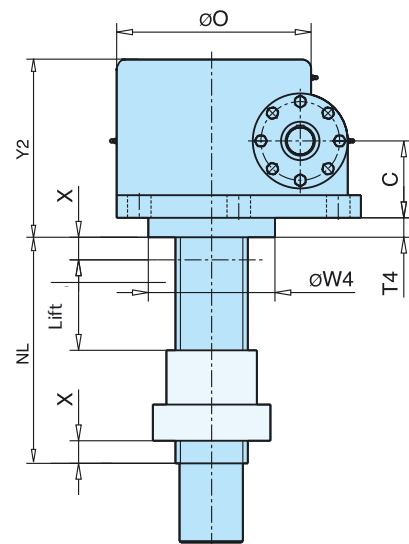
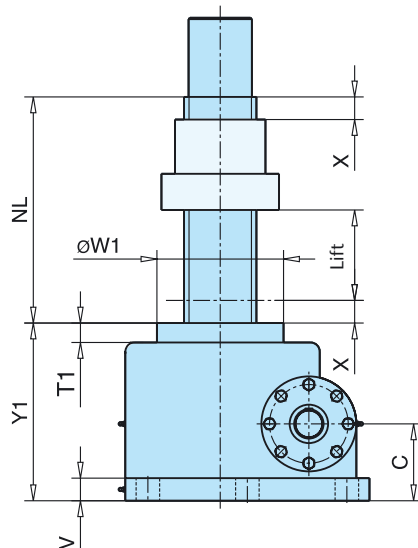
Design "B"
SHE Size 75



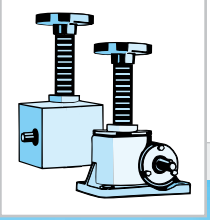
Design "A"

SHE Size 100-200

Design "B"

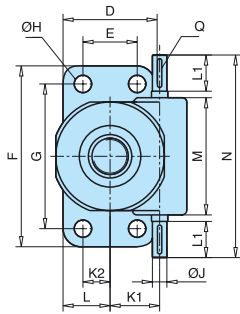


Worm gear screw jacks

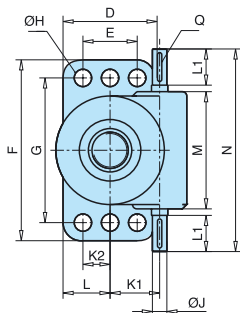


3.4 SHE range dimension plans

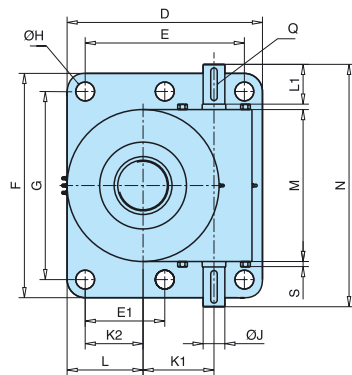
SHE Size 50



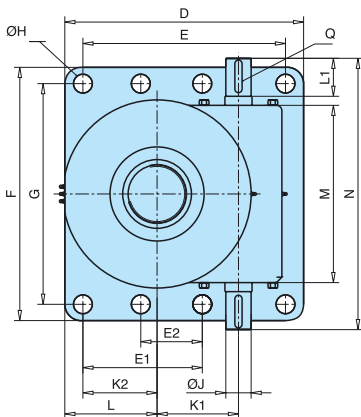
SHE Size 75



SHE Size 100



SHE Size 150 and 200



Size	50	75*	100	150	200*
Spindle	Tr 120x16	Tr 140x20	Tr 160x20	Tr 190x24	Tr 220x28
C	130		170	194	
D	260		540	660	
E	150		440	560	
E1			220	330	
E2			-	170	
F	500		620	700	
G	400		520	610	
ø H	48		52	52	
ø J _{k6}	40		60	70	
K 1	137		196	225	
K 2	75		160	210	
L	130		210	255	
L 1	100		110	110	
M	324		420	490	
N	560		670	710	
NL	lift+255		lift+300	lift+340	
Vkt O	300				
ØO			420	510	
Q	12x8x80		18x11x90	20x12x90	
Ø R	-				
S	-		14	-	
T 1	29		33	40	
T 4	32		43	50	
V	35		50	60	
Ø W 1	210		280	340	
Ø W 4	180		-	-	
Safety X	50		50	50	
Y 1	289		383	465	
Y 2	289		393	475	
Travelling nut					
a	155		200	240	
b	50		80	90	
ø c _{h9}	160		200	240	
ø d	225		260	300	
Head I					
ø a _{k6}	100		140	160	
b	125		175	200	
Head III					
h	125		175	200	
i	M 100x5		M 140x6	M 160x6	

* Dimension plan available on request