

Accessories trapezoidal screw drives

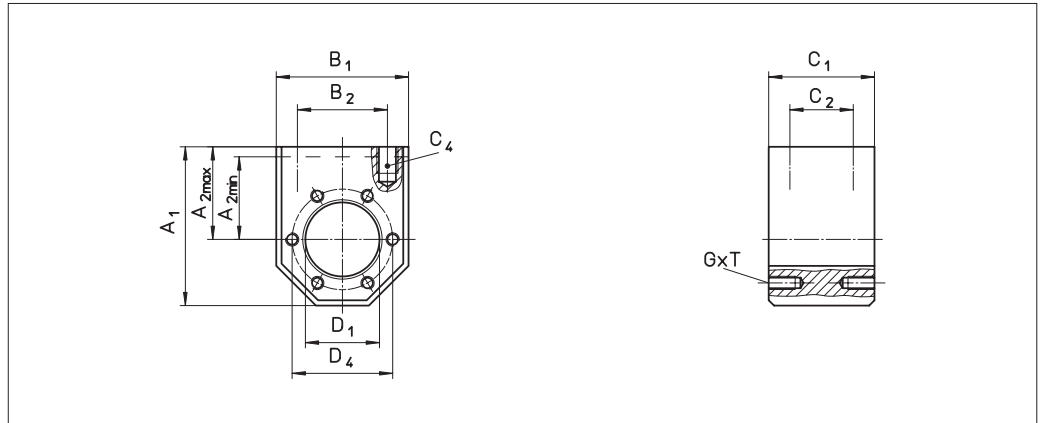
Adapter bracket

Adapter bracket KON

Adapter bracket for radial attachment of trapezoidal nut EFM

Material:

1.0065 (St37) /
1.0507 (St52)



Type for EFM	Dimensions [mm]										
	A ₁	A _{2 max} ¹⁾	A _{2 min}	B ₁	B ₂	C ₁	C ₂	C ₄	D ₁	D ₄	G x T
KON Tr 16x4/Tr 18x4	60	35	25	50	34	40	24	M 8x15	28	38	M 5x10
KON Tr 20x4/Tr 24x5	68	37.5	29	58	39	40	24	M 8x15	32	45	M 6x12
KON Tr 30x6	75	42.5	32.5	65	49	40	24	M 10x15	38	50	M 6x12
KON Tr 36x6	82	45	37	75	54	50	30	M 10x12	45	58	M 6x12
KON Tr 40x7	120	70	50	100	76	65	41	M 14x25	63	78	M 8x14
KON Tr 50x8	135	77.5	57.5	115	91	88	64	M 16x25	72	90	M 10x16
KON Tr 60x9	152	87.5	65	130	101	88	64	M 16x30	85	105	M 10x16

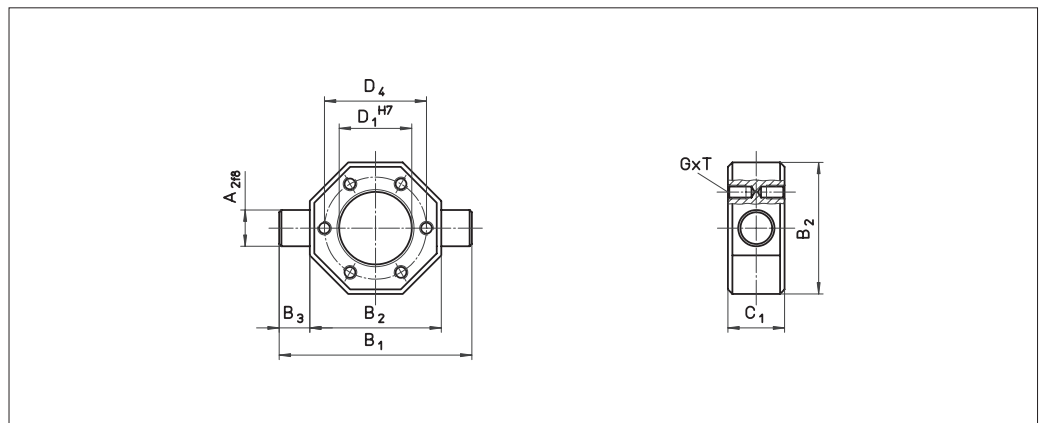
¹⁾ Standard = A_{2 max} (Actual dimension on delivery)

Universal joint adapter KAR

Universal joint adapter for cardanic suspension of trapezoidal nut EFM.

Material:

1.0065 (St37) / 1.0507 (St52)



Type for EFM	Dimensions [mm]							
	A ₂	B ₁	B ₂	B ₃	C ₁	D ₁	D ₄	G x T
KAR Tr 16x4/Tr 18x4	12	70	50	10	20	28	38	M 5x10
KAR Tr 20x4/Tr 24x5	16	85	58	13.5	25	32	45	M 6x12
KAR Tr 30x6	18	95	65	15	25	38	50	M 6x12
KAR Tr 36x6	20	110	75	17.5	30	45	58	M 6x12
KAR Tr 40x7	30	140	100	20	40	63	78	M 8x14
KAR Tr 50x8	40	165	115	25	50	72	90	M 10x16
KAR Tr 60x9	40	180	130	25	50	85	105	M 10x16