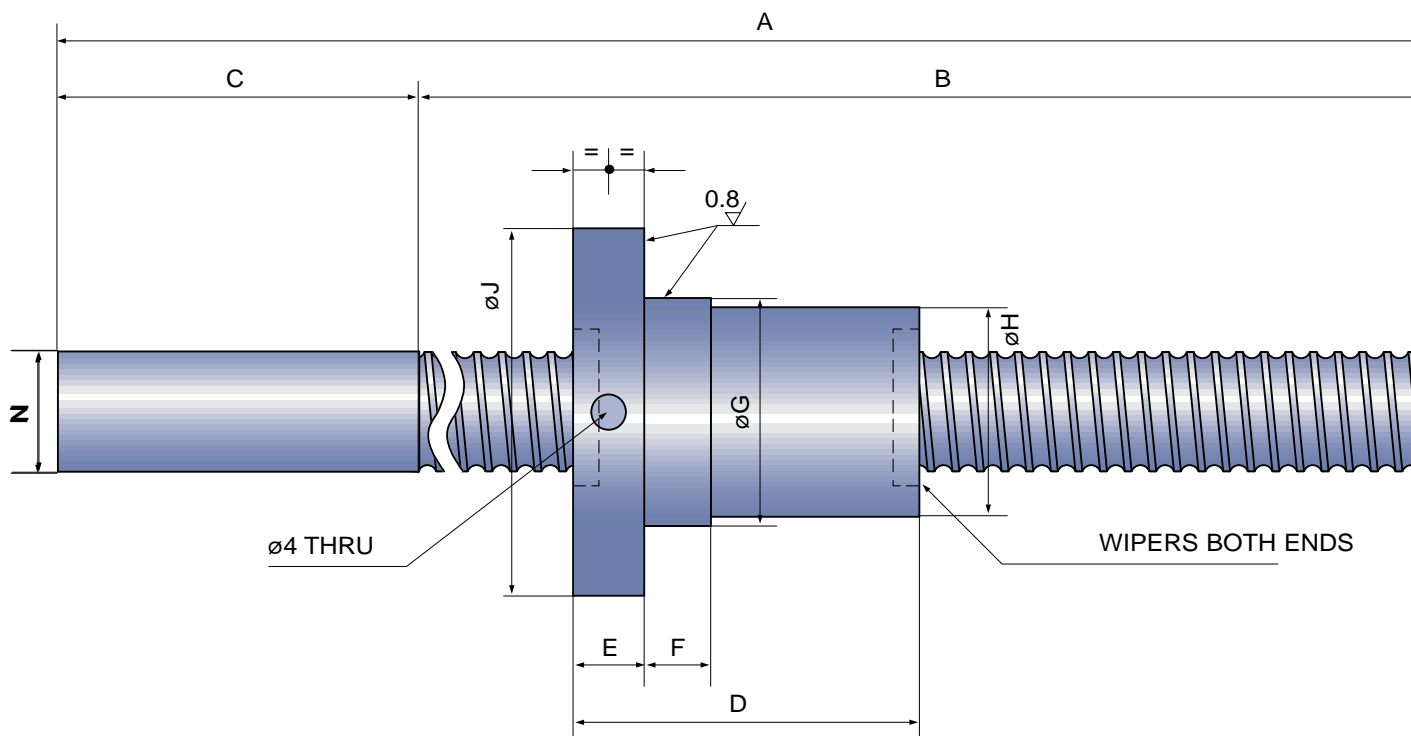


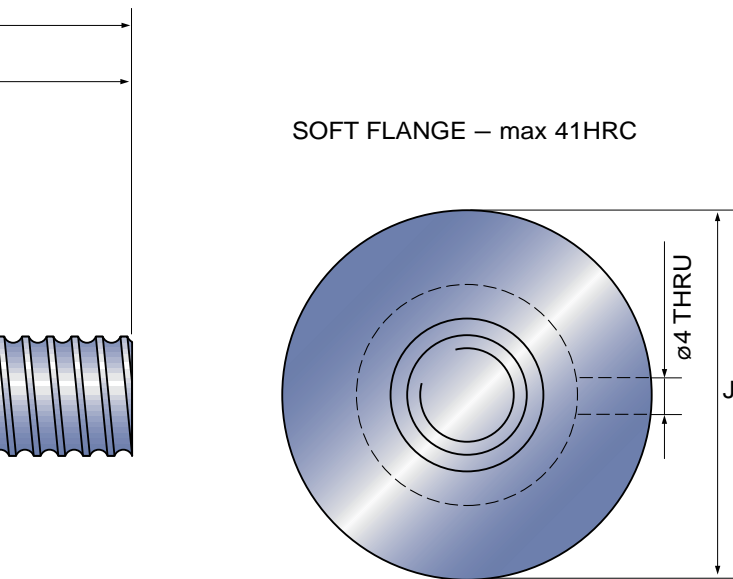
PRECISION GRADE 3 INCH LEAD BALLSCREWS  
SOFT FLANGED – SINGLE NUT – PRE-LOADED



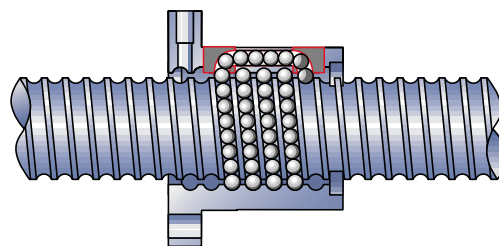
JT <i>i</i> 3 SERIES-SINGLE NUT									
PART NO.	PCD	LEAD	A mm	B	C	D	E	F	G
JTi3 - 0,625x0,200 *	0,625"	0,200"	700	600	100	40	10	10	27,993 .... 27,980
JTi3 - 0,750x0,200 *	0,750"	0,200"	850	750	100	42	10	10	35,991 .... 35,975
JTi3 - 1,000x0,200 *	1,000"	0,200"	1350	1200	150	42	10	10	39,991 .... 39,975
JTi3 - 1,000x0,250 *	1,000"	0,250"	1350	1200	150	46	10	10	39,991 .... 39,975
JTi3 - 1,250x0,200 **	1,250"	0,200"	2000	1850	150	73	12	10	49,991 .... 49,975
JTi3 - 1,250x0,250 **	1,250"	0,250"	2000	1850	150	81	14	16	49,991 .... 49,975
JTi3 - 1,500x0,200 **	1,500"	0,200"	2000	1850	150	86	14	10	55,990 .... 55,971
JTi3 - 1,500x0,250 **	1,500"	0,250"	2000	1850	150	95	14	16	62,990 .... 62,971
JTi3 - 2,000x0,200 **	2,000"	0,200"	2650	2450	200	88	16	16	74,990 .... 74,971
JTi3 - 2,000x0,250 **	2,000"	0,250"	2650	2450	200	97	16	16	74,990 .... 74,971
JTi3 - 2,250x0,500 **	2,250"	0,500"	3200	3000	200	173	18	16	91,988 .... 91,966

\* BALL SELECTION

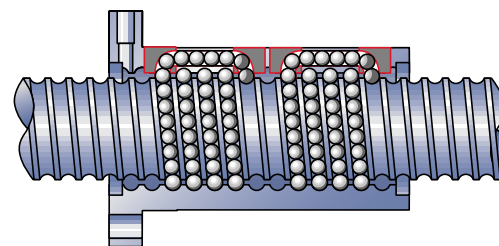
\*\* PITCH SHIFT



TRANSFER SYSTEM



\* Preload by Ball selection



\*\* Preload by pitch shift

H	J (min)	N	BALL DIA.	NUMBER OF TURNS	PRELOAD daN	PRELOAD TORQUE daNcm	DYNAMIC RATING		STATIC RATING daN	RIGIDITY daN/μm
							1x10 <sup>6</sup> Revs daN	2.5x10 <sup>6</sup> Revs daN		
28 <sup>-0.2</sup> <sub>-0.3</sub>	54	15	3,000	3	42	0,3	840	620	1290	20
36 <sup>-0.2</sup> <sub>-0.3</sub>	60	19	3,500	3	60	0,5	1200	880	1990	23
40 <sup>-0.2</sup> <sub>-0.3</sub>	73	24	3,500	3	65	0,6	1310	970	2470	38
40 <sup>-0.2</sup> <sub>-0.3</sub>	73	24	3,500	3	65	0,6	1310	970	2470	38
50 <sup>-0.2</sup> <sub>-0.3</sub>	80	31	3,500	3+3	177	2,3	1770	1300	4030	59
50 <sup>-0.2</sup> <sub>-0.3</sub>	80	31	4,500	3+3	250	3,2	2500	1840	5170	63
56 <sup>-0.2</sup> <sub>-0.3</sub>	87	39	3,500	4+4	249	4,0	2490	1830	6770	92
63 <sup>-0.2</sup> <sub>-0.3</sub>	87	39	4,500	4+4	350	5,5	3500	2580	8550	96
75 <sup>-0.2</sup> <sub>-0.3</sub>	106	49	3,500	4+4	273	5,5	2730	2010	8570	106
75 <sup>-0.2</sup> <sub>-0.3</sub>	110	49	4,500	4+4	386	7,7	3860	2850	10870	112
92 <sup>-0.2</sup> <sub>-0.3</sub>	132	55	9,000	4+4	1032	23,5	10320	76040	23620	141