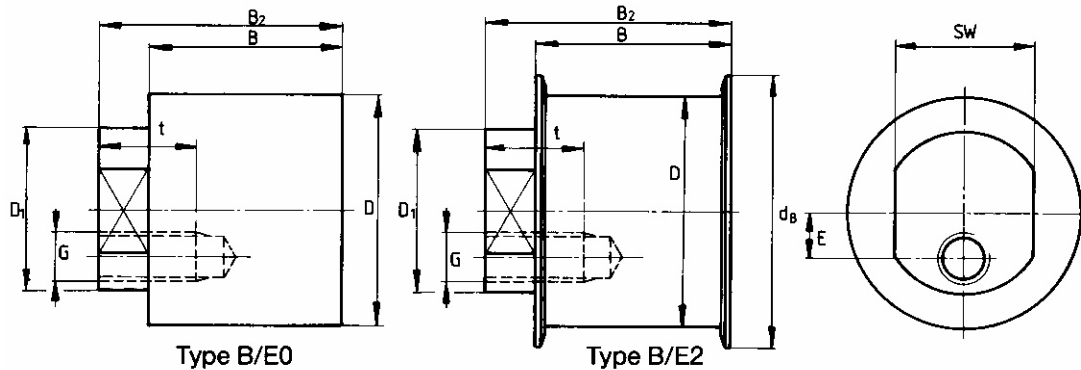


TENSIONERS

Stock Type B With Eccentric Adjustment



Specifications

Tensioners Type B incorporate 2 ball bearings. They are permanently lubricated and will not lose their lubricity up to 70°C continuous temperature. Intermittent temperatures up to 120°C are permissible.

Material

Shaft: Steel

Flat pulley: Aluminum

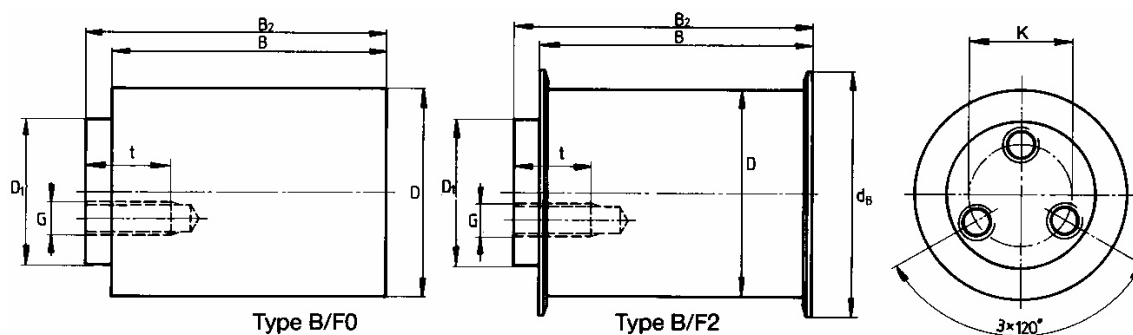
Flanges: Aluminum

Ordering Example

Tensioner Type B 117 / 180 - 2
 Width B _____
 Diameter _____
 No. of flanges _____

Part Numbers		Type	B	D	dB	B2	E
			mm	mm	mm	mm	mm
Tensioner type B	34 / 32-0	B/E0	34	32	-	42	5
Tensioner type B	34 / 32-2	B/E2	34	32	41.4	42	5
Tensioner type B	40 / 60-0	B/E0	40	60	-	50	5
Tensioner type B	AT5-40 / 60-2	B/E2	40	60	69.4	50	5
Tensioner type B	T10-40 / 60-2	B/E2	40	60	73.0	50	5
Tensioner type B	64 / 60-0	B/E0	64	60	-	74	5
Tensioner type B	AT5-64 / 60-2	B/E2	64	60	69.4	74	5
Tensioner type B	T10-64 / 60-2	B/E2	64	60	73.0	74	5
Tensioner type B	114 / 60-0	B/F0	114	60	-	124	-
Tensioner type B	AT5-114 / 60-2	B/F2	114	60	69.4	124	-
Tensioner type B	T10-114 / 60-2	B/F2	114	60	73.0	124	-
Tensioner type B	70 / 120-0	B/E0	70	120	-	85	5
Tensioner type B	AT10-70 / 120-2	B/E2	70	120	137.0	85	5
Tensioner type B	T20-70 / 120-2	B/E2	70	120	144.0	85	5
Tensioner type B	117 / 120-0	B/F0	117	120	-	131	-
Tensioner type B	AT10-117 / 120-2	B/F2	117	120	137.0	131	-
Tensioner type B	T20-117 / 120-2	B/F2	117	120	144.0	131	-
Tensioner type B	117 / 180-0	B/F0	117	180	-	131	-
Tensioner type B	117 / 180-2	B/F2	117	180	204.0	131	-

Stock Type B With Flange



K mm	G mm	t mm	SW mm	D1 mm	Load Ratings		Max. rpm n	Recommended Applications	
					C _{dynamic} N	C _{static} N		Max. Belt Width mm	Belt Type mm
-	M6	15	17	20	7,950	3,920	30,000	25	T5, XL
-	M6	15	17	20	7,950	3,920	30,000	25	T5, XL
-	M12	20	27	30	19,300	13,100	15,000	32	AT5, T10, L, H
-	M12	20	27	30	19,300	13,100	15,000	32	AT5
-	M12	20	27	30	19,300	13,100	15,000	32	T10, L, H
-	M12	20	27	30	19,300	13,100	15,000	50	AT5, T10, L, H
-	M12	20	27	30	19,300	13,100	15,000	50	AT5
-	M12	20	27	30	19,300	13,100	15,000	50	T10, L, H
34	M8 (3x)	15	-	45	19,300	13,100	15,000	100	AT5, T10, L, H
34	M8 (3x)	15	-	45	19,300	13,100	15,000	100	AT5
34	M8 (3x)	15	-	45	19,300	13,100	15,000	100	T10
-	M20	30	36	45	70,500	48,000	7,500	50	AT10, T20
-	M20	30	36	45	70,500	48,000	7,500	50	AT10
-	M20	30	36	45	70,500	48,000	7,500	50	T20
65	M12 (3x)	24	-	85	70,500	48,000	7,500	100	AT10, T20
65	M12 (3x)	24	-	85	70,500	48,000	7,500	100	AT10
65	M12 (3x)	24	-	85	70,500	48,000	7,500	100	T20
80	M16 (3x)	25	-	106	106,000	76,000	6,300	100	AT20
80	M16 (3x)	25	-	106	106,000	76,000	6,300	100	AT20