

Regulators/valves

Material pressure
regulators





1



2



3



4

- 1 Material pressure regulator
- 2 Material pressure regulator with pressure pipe and pressure gauge
- 3 Mini material pressure regulator
- 4 Material pressure regulator with pressure pipe and pressure gauge

Regulators/valves

Material pressure regulators

Pressure regulators, manual

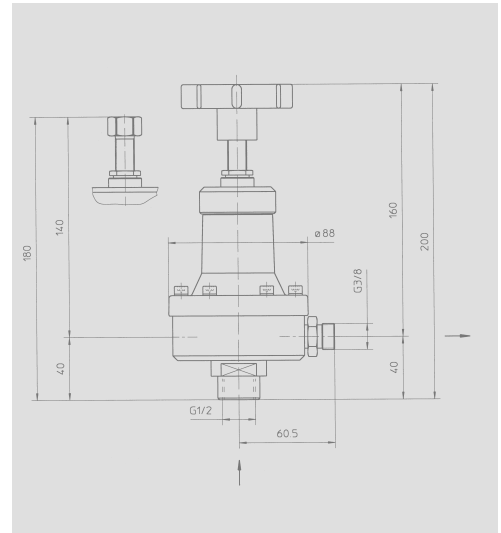
Regulation range up to max. 40 bar

Material pressure regulator, stainless steel without pressure gauge, without pressure tube

Weight: approx. 2.5 kg
 Material inlet pressure: max. 50.0 bar
 Operating temperature: max. 80 °C

Control range	Tungsten carbide valve	Stainless steel valve
0 - 2,5 bar	080-0911 ¹⁾	080-2206 ¹⁾
0 - 10,0 bar	080-0916 ¹⁾	080-2207 ¹⁾
0 - 20,0 bar	080-0912 ²⁾	080-2208 ²⁾
0 - 40,0 bar	080-0913 ²⁾	080-2204 ²⁾

¹⁾ with hand wheel ²⁾ with hex spindle
 Mounting orientation: vertical or horizontal

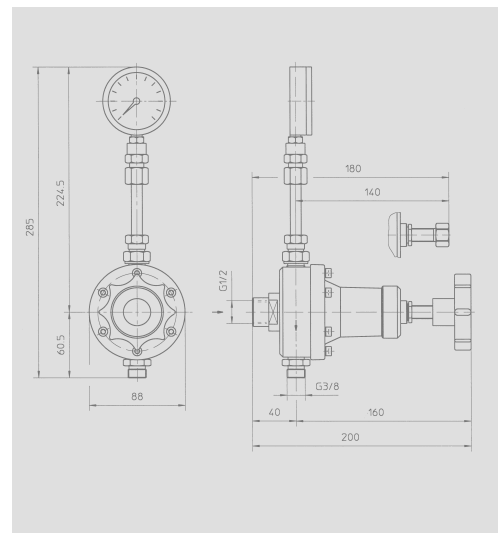


Material pressure regulator, stainless steel with pressure gauge and pressure tube

Weight: approx. 2.6 kg
 Material inlet pressure: max. 50.0 bar
 Operating temperature: max. 80 °C

Control range	Pressure gauge	Tungsten carbide valve	Stainless steel valve
0 - 2,5 bar	0 - 1,0 bar	090-0305 ¹⁾	090-1971 ¹⁾
0 - 2,5 bar	0 - 1,6 bar	090-2631 ¹⁾	090-2637 ¹⁾
0 - 2,5 bar	0 - 2,5 bar	090-2632 ¹⁾	090-2638 ¹⁾
0 - 2,5 bar	0 - 4,0 bar	090-2633 ¹⁾	090-2639 ¹⁾
0 - 10,0 bar	0 - 4,0 bar	090-0306 ¹⁾	090-1972 ¹⁾
0 - 10,0 bar	0 - 6,0 bar	090-2634 ¹⁾	090-2640 ¹⁾
0 - 10,0 bar	0 - 10,0 bar	090-2635 ¹⁾	090-2641 ¹⁾
0 - 10,0 bar	0 - 16,0 bar	090-2636 ¹⁾	090-2642 ¹⁾
0 - 20,0 bar	0 - 25,0 bar	090-0307 ²⁾	090-1973 ²⁾
0 - 40,0 bar	0 - 60,0 bar	090-0311 ²⁾	090-1974 ²⁾

¹⁾ with hand wheel ²⁾ with hex spindle
 Mounting orientation: horizontal

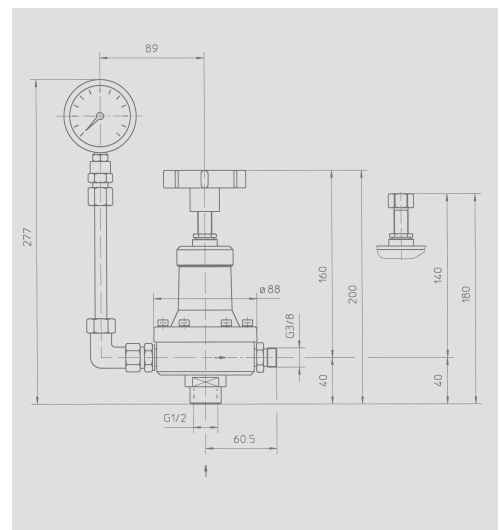


Material pressure regulator, stainless steel with pressure gauge and pressure tube

Weight: approx. 2.6 kg
 Material inlet pressure: max. 50.0 bar
 Operating temperature: max. 80 °C

Control range	Pressure gauge	Tungsten carbide valve	Stainless steel valve
0 - 2,5 bar	0 - 1,0 bar	090-2598 ¹⁾	090-2605 ¹⁾
0 - 2,5 bar	0 - 1,6 bar	090-2643 ¹⁾	090-2649 ¹⁾
0 - 2,5 bar	0 - 2,5 bar	090-2644 ¹⁾	090-2650 ¹⁾
0 - 2,5 bar	0 - 4,0 bar	090-2645 ¹⁾	090-2651 ¹⁾
0 - 10,0 bar	0 - 4,0 bar	090-2599 ¹⁾	090-2606 ¹⁾
0 - 10,0 bar	0 - 6,0 bar	090-2646 ¹⁾	090-2652 ¹⁾
0 - 10,0 bar	0 - 10,0 bar	090-2647 ¹⁾	090-2653 ¹⁾
0 - 10,0 bar	0 - 16,0 bar	090-2648 ¹⁾	090-2654 ¹⁾
0 - 20,0 bar	0 - 25,0 bar	090-2600 ²⁾	090-2607 ²⁾
0 - 40,0 bar	0 - 60,0 bar	090-2601 ²⁾	090-2608 ²⁾

¹⁾ with hand wheel ²⁾ with hex spindle
 Mounting orientation: vertical





Regulators/valves

Material pressure regulators

Pressure regulators, manual

Regulation range up to max. 40 bar

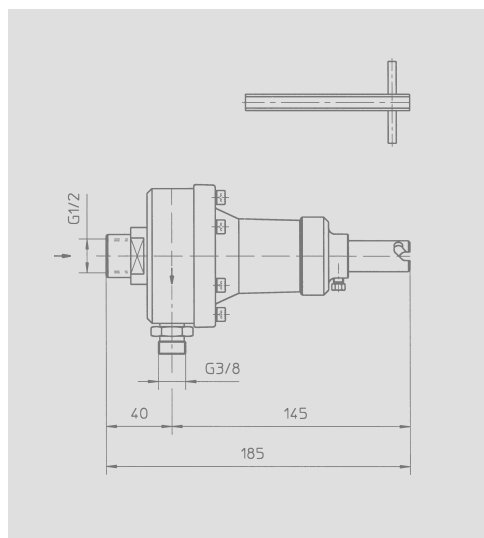
Material pressure regulator, stainless steel with fast-purge device.

Weight: approx. 2.6 kg
Material inlet pressure: max. 50.0 bar
Operating temperature: max. 80°C

Control range	Pressure gauge	Tungsten carbide valve	Stainless steel valve
0 - 2,5 bar	without	080-0915 ¹⁾	080-2209 ¹⁾
0 - 10,0 bar	without	080-0917 ¹⁾	080-2210 ¹⁾

¹⁾ Mounting orientation: horizontal

The fast-purge device is activated by turning a special socket key in the bayonet of the end cap.



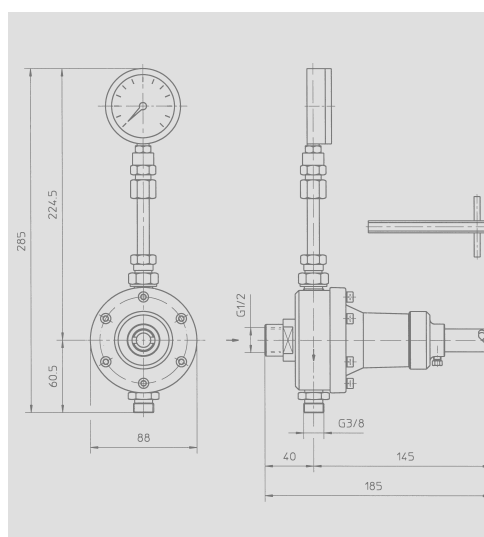
Material pressure regulator, stainless steel with pressure pipe, pressure gauge and fast-purge device

Weight: approx. 2.6 kg
Material inlet pressure: max. 50.0 bar
Operating temperature: max. 80°C

Control range	Pressure gauge	Tungsten carbide valve	Stainless steel valve
0 - 2,5 bar	0 - 4,0 bar	090-0256 ¹⁾	090-1975 ¹⁾
0 - 10,5 bar	0 - 16,0 bar	090-0257 ¹⁾	090-1976 ¹⁾

¹⁾ Mounting orientation: horizontal

The fast-purge device is activated by turning a special socket key in the bayonet of the end cap.



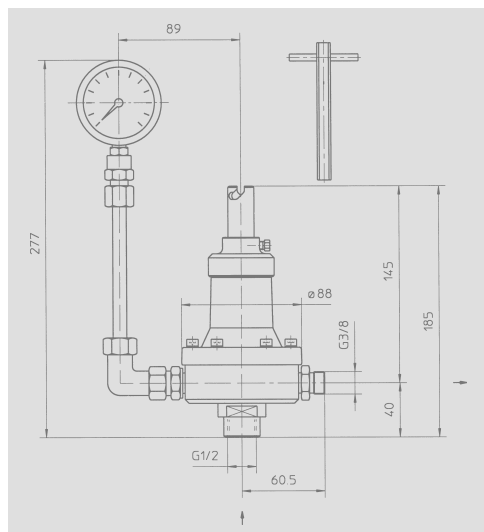
Material pressure regulator, stainless steel with pressure pipe, pressure gauge and fast-purge device

Weight: approx. 2.6 kg
Material inlet pressure: max. 50.0 bar
Operating temperature: max. 80°C

Control range	Pressure gauge	Tungsten carbide valve	Stainless steel valve
0 - 2,5 bar	0 - 4,0 bar	090-2603 ²⁾	090-2610 ²⁾
0 - 10,5 bar	0 - 16,0 bar	090-2604 ²⁾	090-2611 ²⁾

²⁾ Mounting orientation: vertical

The fast-purge device is activated by turning a special socket key in the bayonet of the end cap.



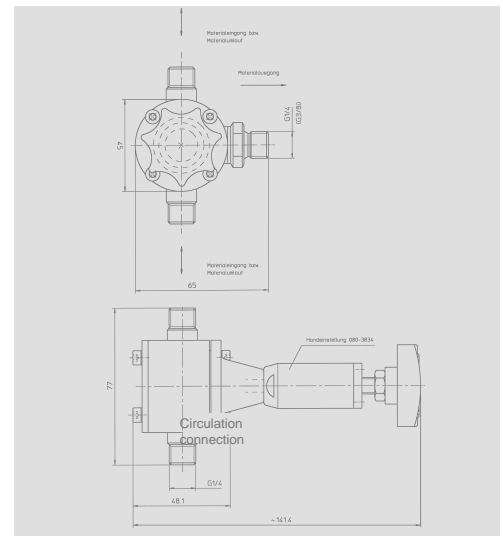
Mini material pressure regulator, stainless steel, manually adjustable.

Regulation range: 0 – 7.0 bar
Weight: approx. 480 g
Material inlet pressure: max. 15.0 bar
Operating temperature: max. 80 °C

Version	Circulation	Order no.
Tungsten carbide valve	no	090-3457 ¹⁾
Stainless steel valve	no	090-3458 ¹⁾
Tungsten carbide valve	yes	090-3459 ¹⁾
Stainless steel valve	yes	090-3460 ¹⁾
Tungsten carbide valve	no	090-3461 ²⁾
Stainless steel valve	no	090-3462 ²⁾
Tungsten carbide valve	yes	090-3463 ²⁾
Stainless steel valve	yes	090-3464 ²⁾

¹⁾ Material outlet with union nut G3/8"

²⁾ Material outlet: G1/4" AG
Material inlet: G1/4" AG
Diaphragms: polyamide
Mounting orientation: any



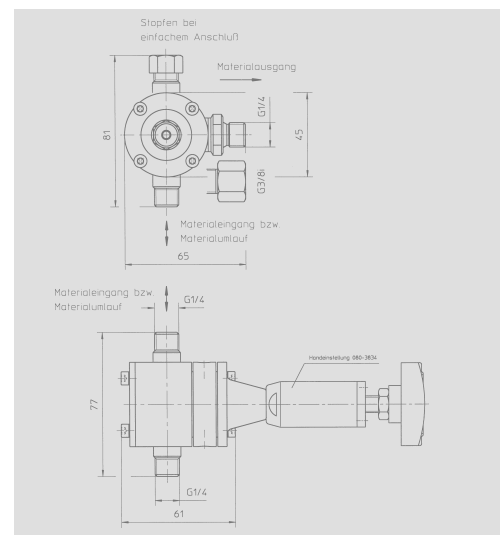
Mini material pressure regulator, stainless steel, manually adjustable, with double diaphragm and leakage borehole.

Regulation range: 0 – 7.0 bar
Weight: approx. 520 g
Material inlet pressure: max. 15.0 bar
Operating temperature: max. 80 °C

Version	Circulation	Order no.
Tungsten carbide valve	no	090-3465 ¹⁾
Stainless steel valve	no	090-3466 ¹⁾
Tungsten carbide valve	yes	090-3467 ¹⁾
Stainless steel valve	yes	090-3468 ¹⁾
Tungsten carbide valve	no	090-3469 ²⁾
Stainless steel valve	no	090-3470 ²⁾
Tungsten carbide valve	yes	090-3471 ²⁾
Stainless steel valve	yes	090-3472 ²⁾

¹⁾ Material outlet with union nut G3/8"

²⁾ Material outlet: G1/4" AG
Material inlet: G1/4" AG
Diaphragms: polyamide
Mounting orientation: any

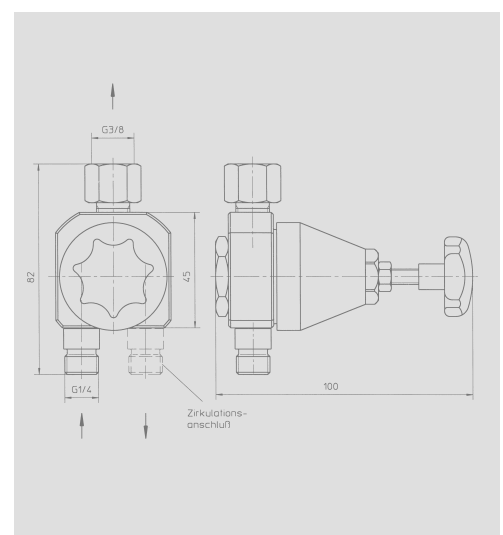


Mini material pressure regulator, manually adjustable, without pressure gauge, for direct mounting on spray guns

Weight: approx. 260 g
Material inlet pressure: max. 15.0 bar
Operating temperature: max. 80 °C

Control range	Circulation	Order no.
0 – 7,0 bar	no	090-0833
0 – 7,0 bar	yes	090-0834

Housing: hard-coated aluminium
Valve: tungsten carbide
Diaphragms: polyamide





1



4



5

- 1 Material pressure regulator with pressure pipe and pressure gauge
- 2 Material pressure regulator, transformation ratio: 4 : 1
- 3 Mini material pressure regulator with circulation
- 4 Mini material pressure regulator, stainless steel
- 5 Mini material pressure regulator with double diaphragm and leakage borehole



2

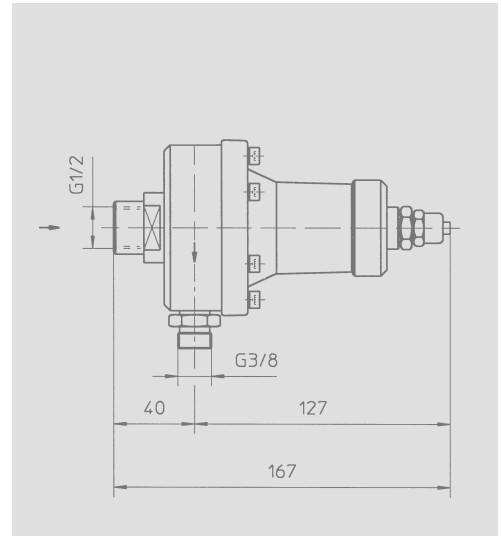


3

Material pressure regulator, stainless steel, pneumatically controllable, transformation ratio: 1:1

Weight: approx. 2.6 kg
 Material inlet pressure: max. 50.0 bar
 Operating temperature: max. 80 °C

Control range	Pressure gauge	Tungsten carbide valve	Stainless steel valve
0 - 10,0 bar	without	080-0914	080-2205

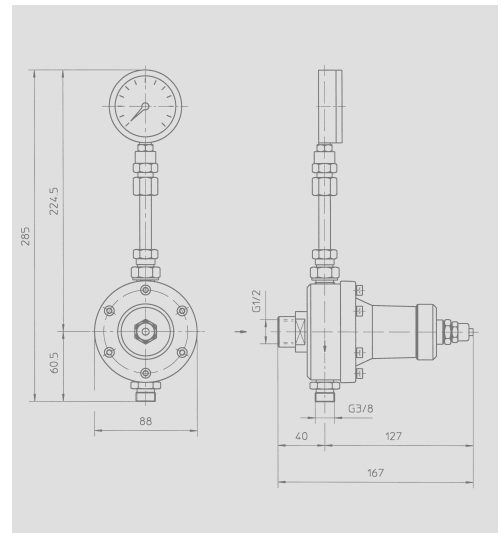


Material pressure regulator, pneumatically controllable, with pressure pipe and pressure gauge.

Weight: approx. 3.2 kg
 Material inlet pressure: max. 30.0 bar
 Operating temperature: max. 80 °C

Control range	Pressure gauge	Tungsten carbide valve	Stainless steel valve
0 - 10,0 bar	0 - 16,0 bar	090-0313	090-1970 ¹⁾
0 - 10,0 bar	0 - 16,0 bar	090-2606	090-2609 ²⁾

¹⁾ Mounting orientation: horizontal
²⁾ Mounting orientation: vertical

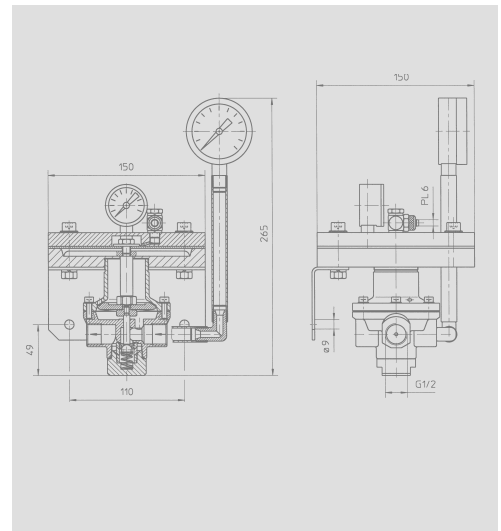


Material pressure regulator, pneumatically controllable, with pressure pipe and pressure gauge.

Weight: approx. 3.2 kg
 Material inlet pressure: max. 30.0 bar
 Operating temperature: max. 80 °C

Control range	Pressure gauge	Order no.
0 - 24,0 bar	0 - 25,0 bar	080-0894

Parts in contact with medium are chemically nickel-plated
 Diaphragms: PTFE
 Transformation ratio: 4:1
 Mounting orientation: vertical



Regulators/valves

Material pressure regulators

Pressure regulators, pneumatic

Mini material pressure regulator Range up to max. 7 bar

Mini material pressure regulator, stainless steel, pneumatically controllable, transformation ratio: 1:1

Regulation range: 0 – 7.0 bar
Weight: approx. 480 g
Material inlet pressure: max. 15.0 bar
Operating temperature: max. 80 °C

Version	Circulation	Order no.
Tungsten carbide valve	no	090-0180 ¹⁾
Stainless steel valve	no	090-1654 ¹⁾
Tungsten carbide valve	yes	090-0179 ¹⁾
Stainless steel valve	yes	090-1655 ¹⁾
Tungsten carbide valve	no	090-0178 ²⁾
Stainless steel valve	no	090-1656 ²⁾
Tungsten carbide valve	yes	090-0164 ²⁾
Stainless steel valve	yes	090-1657 ²⁾

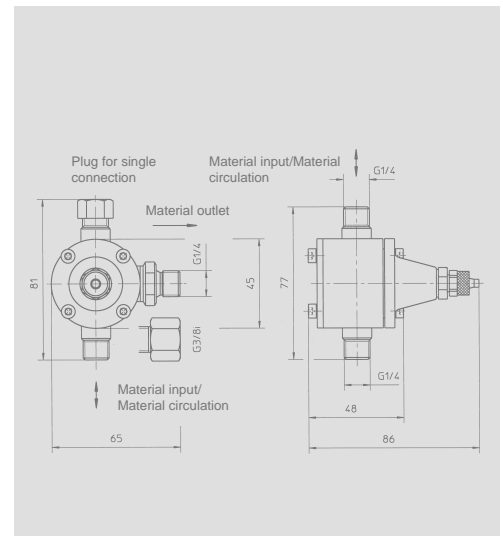
¹⁾ Material outlet with union nut G3/8"

²⁾ Material outlet: G1/4" AG

Material inlet: G1/4" AG

Diaphragms: polyamide

Mounting orientation: any



Mini material pressure regulator, stainless steel, pneumatically controllable, with double diaphragm and leakage borehole, transformation ratio: 1:1

Regulation range: 0 – 7.0 bar
Weight: approx. 520 g
Material inlet pressure: max. 15.0 bar
Operating temperature: max. 80 °C

Version	Circulation	Order no.
Tungsten carbide valve	no	090-1505 ¹⁾
Stainless steel valve	no	090-1658 ¹⁾
Tungsten carbide valve	yes	090-0867 ¹⁾
Stainless steel valve	yes	090-1659 ¹⁾
Tungsten carbide valve	no	090-1506 ²⁾
Stainless steel valve	no	090-1660 ²⁾
Tungsten carbide valve	yes	090-1585 ²⁾
Stainless steel valve	yes	090-1661 ²⁾

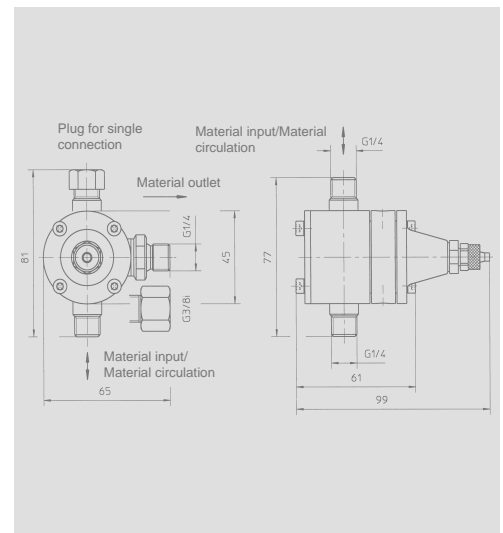
¹⁾ Material outlet with union nut G3/8"

²⁾ Material outlet: G1/4" AG

Material inlet: G1/4" AG

Diaphragms: polyamide

Mounting orientation: any



Mini material pressure regulator, pneumatically controllable, without pressure gauge, for direct mounting on spray guns, transformation ratio: 1:1

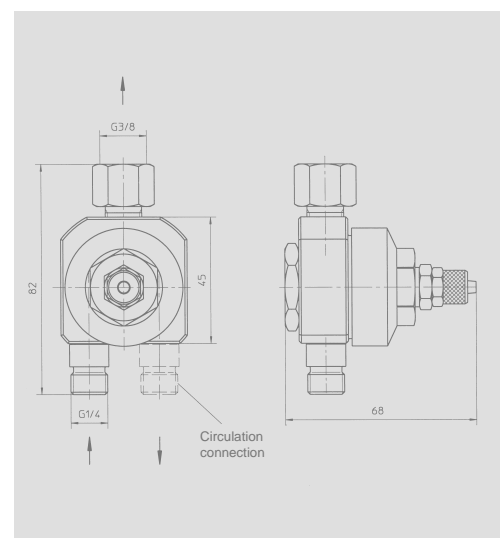
Weight: approx. 240 g
Material inlet pressure: max. 15.0 bar
Operating temperature: max. 80 °C

Control range	Circulation	Order no.
0 – 7,0 bar	no	090-0831
0 – 7,0 bar	yes	090-0832

Housing: aluminium, hard-coated

Valve: tungsten carbide

Diaphragms: polyamide





1

- 1 Material back pressure regulator
- 2 Material back pressure regulator with upstream pressure gauge unit
- 3 Material back pressure regulator with diaphragm



3



2

Regulators/valves

Material pressure regulators

Back pressure regulators, manual

Regulation range up to max. 20 bar

Material back pressure regulator for maintaining constant pressures or as overpressure monitors in line systems for liquids, without pressure gauge and pressure pipe

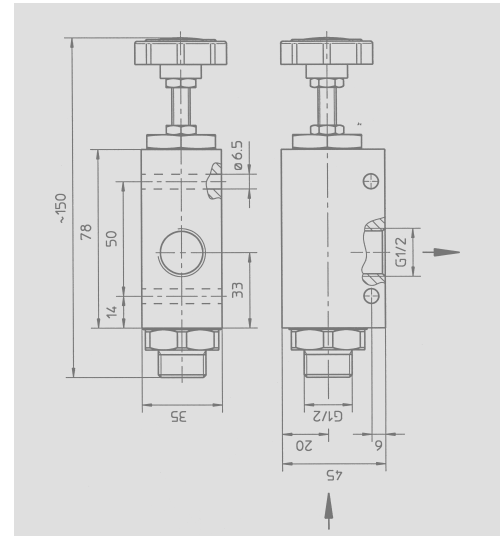
Regulation range: 0 – 6.0 bar
 Weight: approx. 980 g
 Operating temperature: max. 80 °C

Version	Order no.
Stainless steel valve	080-1554 ¹⁾
Tungsten carbide valve	080-1555 ¹⁾
Stainless steel valve	080-0903 ²⁾
Tungsten carbide valve	080-0904 ²⁾

¹⁾ Housing and parts in contact with medium are made of stainless steel.

²⁾ Housing and parts in contact with medium are chemically nickel-plated.

Mounting orientation: vertical or horizontal.
 Use tungsten carbide valve for abrasive media.



Material back pressure regulator for maintaining constant pressures or as overpressure monitors in line systems for liquids, with upstream pressure gauge unit

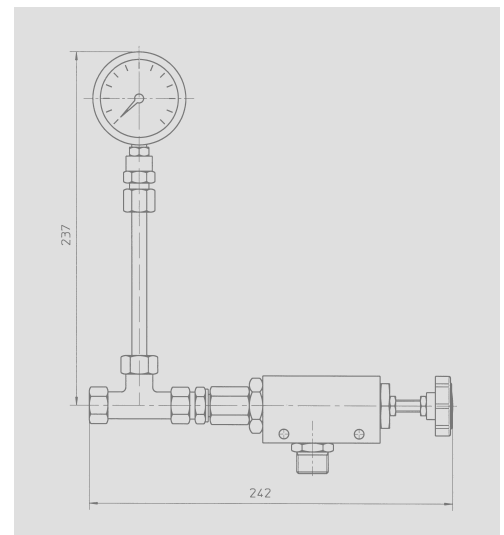
Regulation range: 0 – 6.0 bar
 Weight: approx. 1.2 kg
 Operating temperature: max. 80 °C

Version	Order no.
Stainless steel valve	090-2752 ¹⁾
Tungsten carbide valve	090-2753 ¹⁾
Stainless steel valve	090-2754 ²⁾
Tungsten carbide valve	090-2755 ²⁾

¹⁾ Housing and parts in contact with medium are made of stainless steel.

²⁾ Housing and parts in contact with medium are chemically nickel-plated.

Mounting orientation: vertical or horizontal.
 Use tungsten carbide valve for abrasive media.



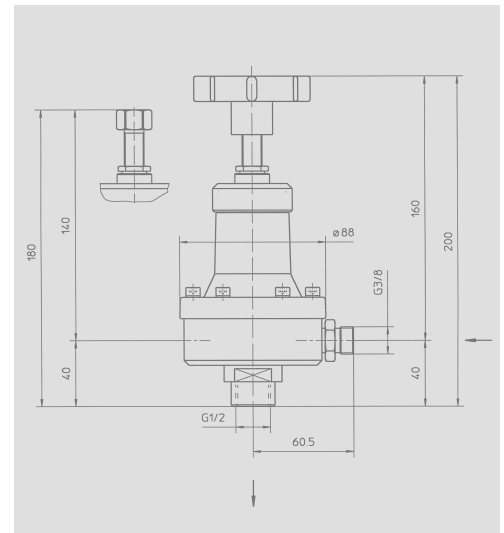
Material back pressure regulator, stainless steel, without pressure pipe and pressure gauge

Weight: approx. 2.5 kg
 Operating temperature: max. 80 °C

Control range	Tungsten carbide valve	Stainless steel valve
0 – 2,5 bar	080-2726	080-2761 ¹⁾
0 – 10,0 bar	080-2759	080-2762 ¹⁾
0 – 20,0 bar	080-2760	080-2763 ²⁾

¹⁾ With hand wheel

²⁾ With hex spindle

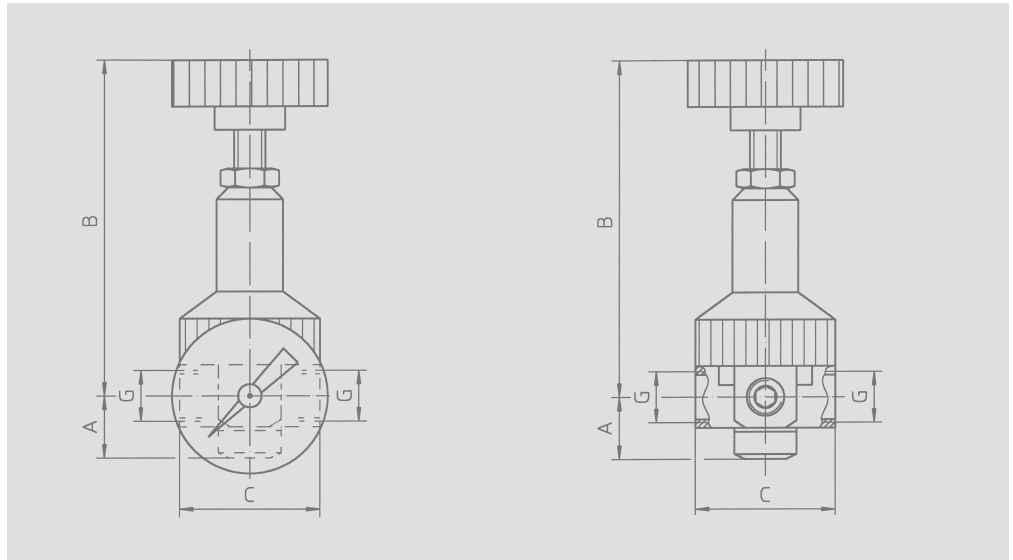




Regulation range: 0 to 7 bar

Compressed air regulator, reverse controllable, with automatic vent, admission pressure-independent.

Operating temperature: 0 °C to 83 °C
For extraction pressure: 0 to 7 bar
Admission pressure: max. 20 bar

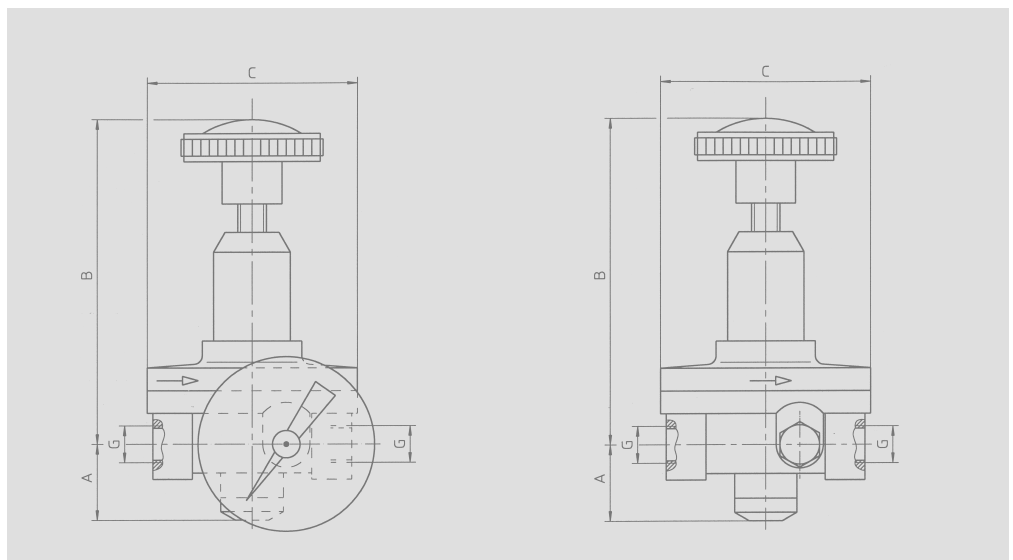


Size	Connection	Dimensions					Control range	Inlet pressure	Fasten. bracket	For control panel	without press. gauge	with press. gauge
		A	B	C	D	E						
BA1	G 1/8"	16	90	36	-	-	0 - 7 bar	max. 20 bar	with	-	080-3433	080-3434
BA1	G 1/8"	16	90	36	-	-	0 - 7 bar	max. 20 bar	with	yes	030-4073	090-3449
BA1	G 1/4"	16	90	36	-	-	0 - 7 bar	max. 20 bar	with	-	080-0270	080-2020
BA1	G 1/4"	16	90	36	-	-	0 - 7 bar	max. 20 bar	with	yes	-	090-0293

**Regulation range:
0 to 0.8 bar / 0 to 2.5 bar**

Compressed air regulator, reverse controllable, with automatic vent, admission pressure-independent.

Operating temperature: 0 °C to 80 °C
For extraction pressure: 0 to 0.8 bar /
0 to 2.5 bar
Admission pressure: max. 20 bar



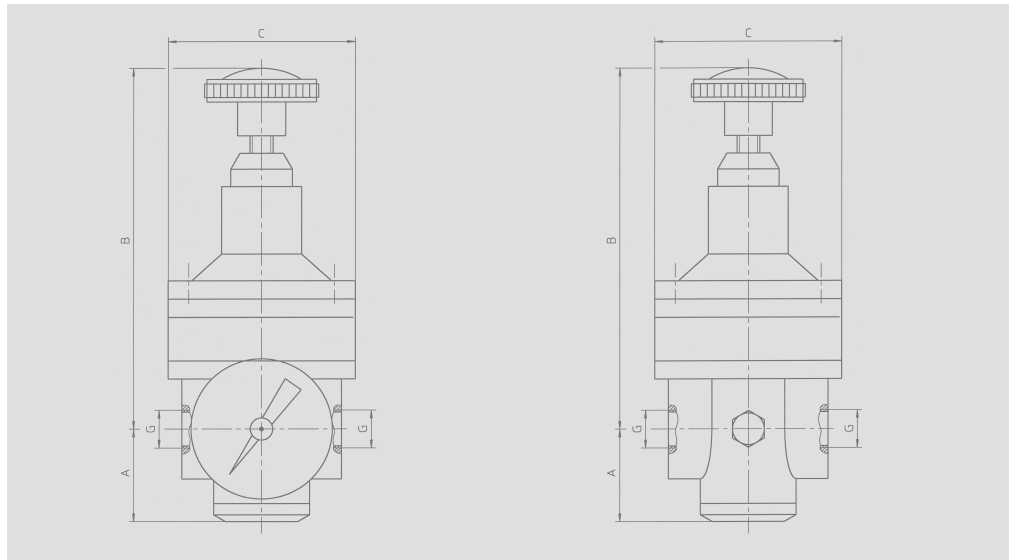
Size	Connection	Dimensions					Control range	Inlet pressure	Fasten. bracket	For control panel	without press. gauge	with press. gauge
		A	B	C	D	E						
BF1	G 1/4"	27	115	74	-	-	0 - 0.8 bar	max 20 bar	-	yes	080-1616	-
BF1	G 1/4"	27	115	74	-	-	0 - 2.5 bar	max 20 bar	-	-	090-0277	080-1140
BF1	G 1/4"	27	115	74	-	-	0 - 2.5 bar	max 20 bar	-	yes	090-0274	090-0289

Regulation range:
0.05 to 2 bar / 0.05 to 4 bar /
0.05 to 7 bar

Precision compressed air regulator,
reverse controllable, with auto-
matic vent, admission pressure-
independent.

Operating temperature: 0°C to 60°C
For extraction pressure: 0.05 to 2 bar /
0.05 to 4 bar /
0.05 to 7 bar

Admission pressure: max. 16 bar
Manometer connection: G1/8"



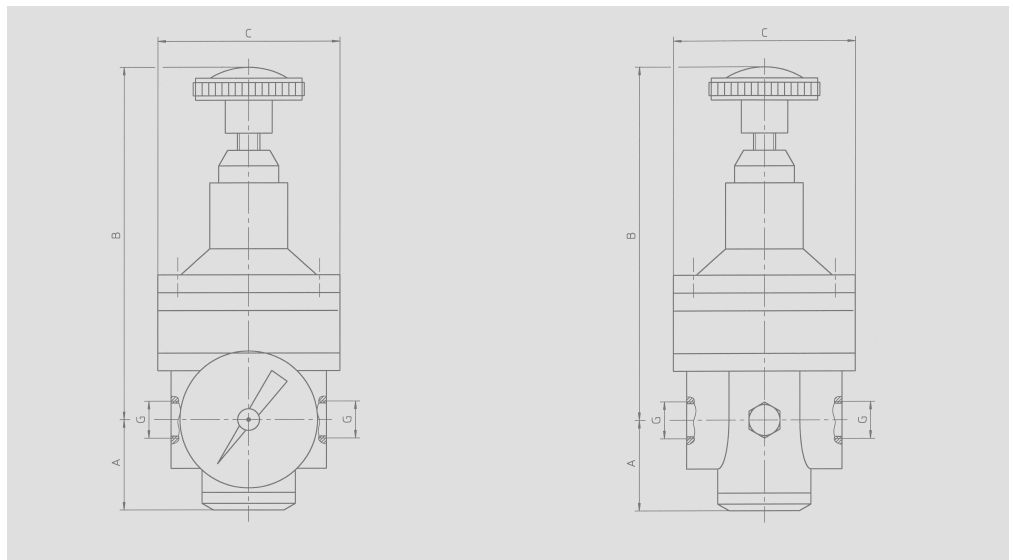
Size	Connection	Dimensions					Control range	Inlet pressure	Fastening bracket	For control panel	without press. gauge	with press. gauge
		A	B	C	D	E						
BC1	G 1/4"	17	102	58	-	-	0.05 - 2.0 bar	max. 16 bar	-	-	030-4013	090-3443
BC1	G 1/4"	17	102	58	-	-	0.05 - 4.0 bar	max. 16 bar	-	-	030-4012	090-3444
BC1	G 1/4"	17	102	58	-	-	0.05 - 7.0 bar	max. 16 bar	-	yes	030-4070	090-3445

Regulation range:
0.05 to 2 bar / 0.05 to 7 bar

Precision compressed air
regulator, reverse controllable,
with automatic vent, admission
pressure-independent.

Operating temperature: 0°C to 60°C
For extraction pressure: 0.05 to 2 bar
0.05 to 7 bar

Admission pressure: max. 16 bar
Manometer connection: G1/4"

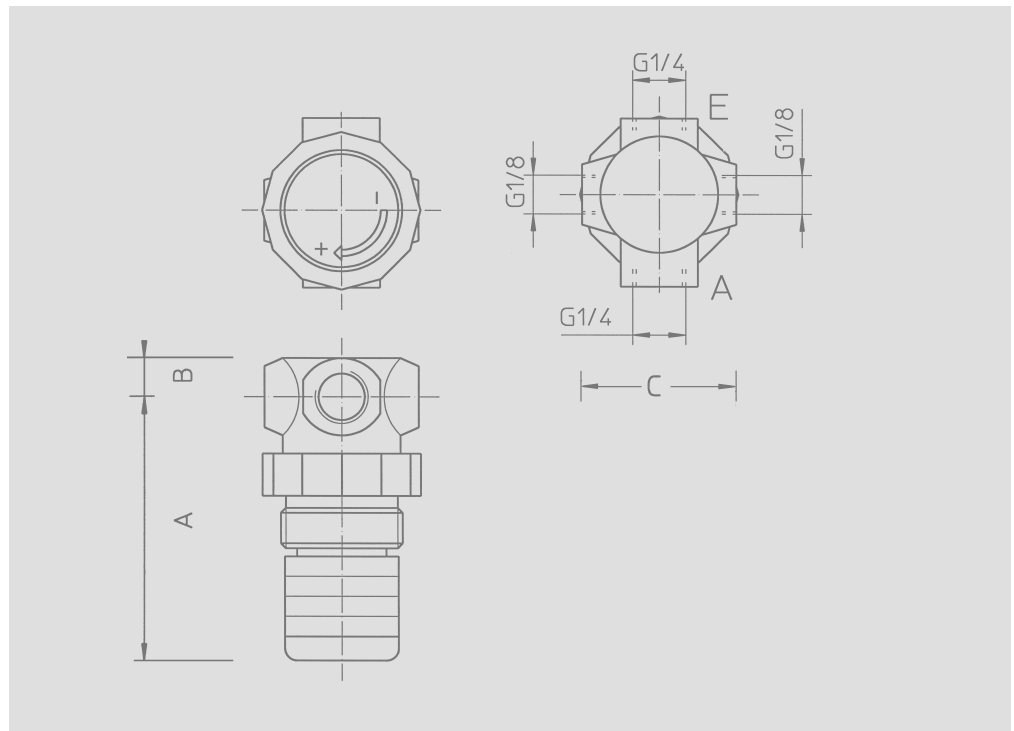


Size	Connection	Dimensions					Control range	Inlet pressure	Fasten. bracket	For control panel	without press. gauge	with press. gauge
		A	B	C	D	E						
BC2	G 3/8"	41	159	82	-	-	0.05 - 2.0 bar	max. 16 bar	-	yes	030-4071	090-3446
BC2	G 3/8"	41	159	82	-	-	0.05 - 7.0 bar	max. 16 bar	-	yes	030-4580	090-3448

**Regulation range:
0.3 to 7.0 bar**

Compressed air regulator, reverse
controllable, with automatic
vent, admission pressure-inde-
pendent.

Operating temperature: 0 °C to 80 °C
For extraction pressure: 0.3 to 3.5 bar
0.3 to 7.0 bar
Admission pressure: max. 20 bar



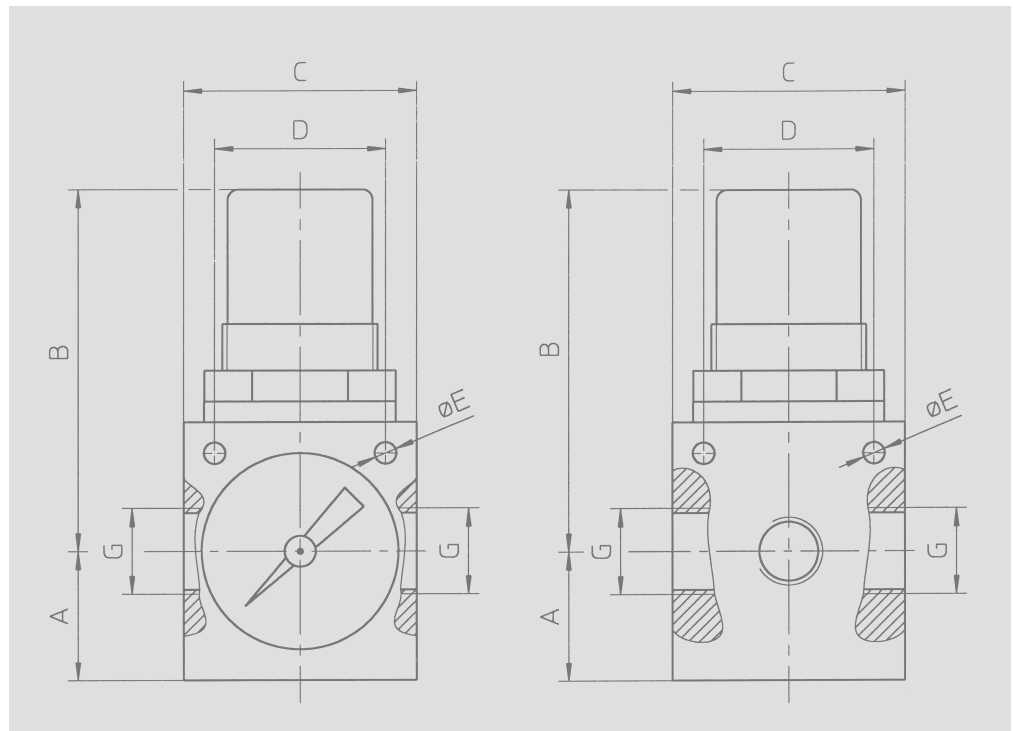
Size	Connection	Dimensions					Control range	Inlet pressure	without press. gauge
		A	B	C	D	E			
BN1	G 1/4" IG	27	4	17	-	-	0.3 - 7.0 bar	max. 20 bar	030-2021
BN1	G 1/4" IG"	27	4	17	-	-	0.3 - 3.5 bar	max. 20 bar	090-0278

Regulation range: 0.5 to 10 bar

Compressed air regulator, reverse controllable, with automatic vent, admission pressure-independent.

The unit may only be used with filtered air; otherwise there is a risk of malfunction. Where necessary, an air filter must be installed upstream.

Operating temperature: 0°C to 50°C
For extraction pressure: 0.5 to 10 bar
Inlet pressure: max. 14 bar



Size	Connection	Dimensions					Control range	Inlet pressure	Fasten. bracket	For control panel	without press. gauge	with press. gauge
		A	B	C	D	E						
BG1	G 1/4"	20.5	64	40	-	-	0.5 - 10 bar	max. 14 bar	+	+	030-3989	090-3431
BG2	G 1/4"	25	70	53	41	4,2	0.5 - 10 bar	max. 14 bar	+	+	090-2440	090-2441
BG2	G 3/8"	25	70	45	41	4,2	0.5 - 10 bar	max. 14 bar	+	-	090-0282	090-1959
BG4	G 1/2"	37	93	73	58	6	0.5 - 10 bar	max. 14 bar	+	-	080-3429	030-1311
BG4	G 3/4"	37	93	73	58	6	0.5 - 10 bar	max. 14 bar	+	-	030-4031	090-3432
BG4	G 1"	37	93	124	58	6	0.5 - 10 bar	max. 14 bar	+	-	030-4032	090-3433

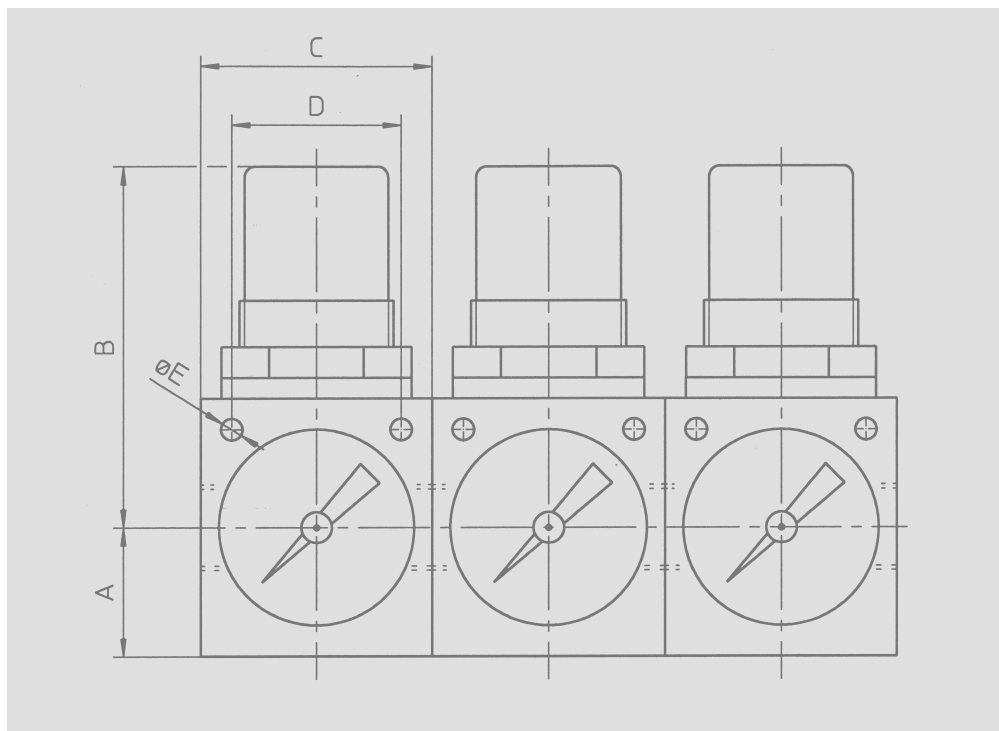
**Regulation range: 0.5 to 10 bar**

Compressed air regulator suitable for modular mounting in series. The air regulators are mounted in series with a common inlet. Each regulator can be independently controlled for different pressures. The regulators are reverse controllable with automatic vents, regulated outlet connections are at the front and back with thread connectors.

When these units are mounted in series it is possible to have, for example, the first regulator set at 4 Bar, the second at 6 Bar and the third at 7.5 Bar etc. The regulated air outlets can be from either the back or front or any combination of these.

Art. no. is for one regulator only!

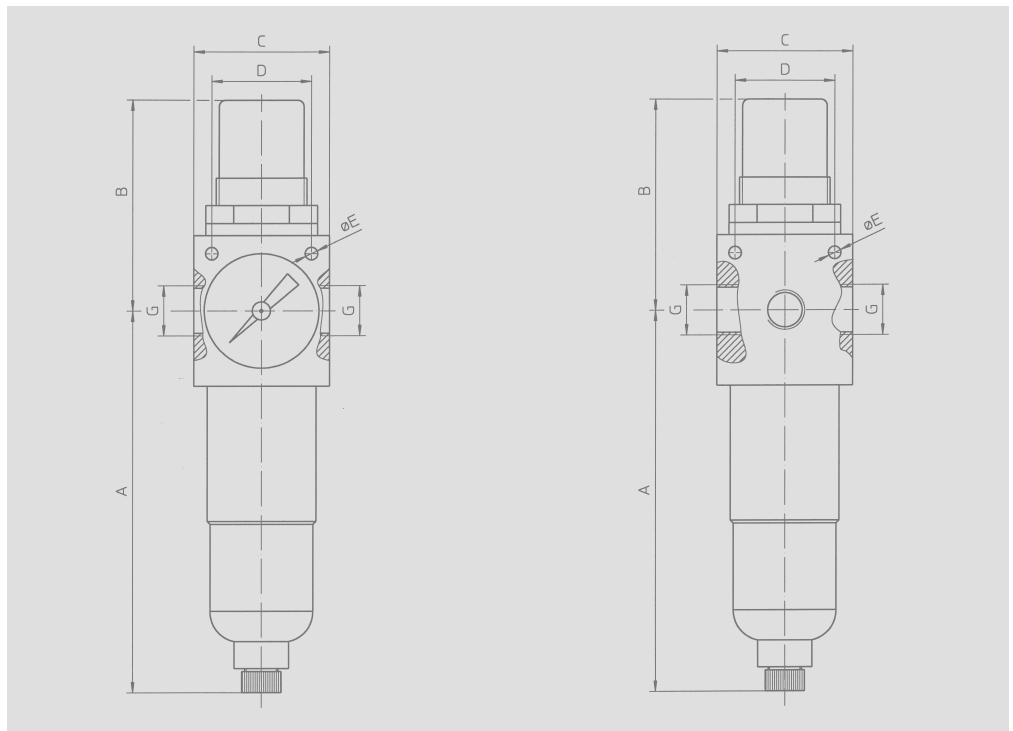
Operating temperature: 0°C to 50°C
For extraction: 0.5 to 10 bar



Size	Connection	Dimensions					Control range	Inlet pressure	Fastening bracket	For control panel	without press. gauge	with press. gauge
		A	B	C	D	E						
BG2	G 1/4"	25	70	45	41	4.2	0.5 - 10 bar	max. 14 bar	+	-	030-4033	090-3434
BG2	G 3/8"	25	70	45	41	4.2	0.5 - 10 bar	max. 14 bar	+	-	030-4034	090-3435

Regulation range: 0.5 to 10 bar

Compressed air regulator and filter unit. Air pressure adjustable with automatic vent, filter with manual drain valve.



Operating temperature: .. 0°C to -50°C
 For extraction pressure: .. 0.5 to 10 bar
 Admission pressure: max. 14 bar
 Sintered filter: pore width 50 µm
 Container material: PA

Container volume:
 BG2 40 cm³
 BG4 90 cm³

Size	Connection	Dimensions					Control range	Inlet pressure	Fasten. bracket	without press. gauge	with press. gauge
		A	B	C	D	E					
BG2	G 1/4"	127	70	53	41	4.2	0.5 - 10 bar	max 14 bar	+	030-3997	090-2008
BG2	G 3/8"	127	70	45	41	4.2	0.5 - 10 bar	max 14 bar	+	030-3998	090-2009
BG4	G 1/2"	148	93	73	58	6.0	0.5 - 10 bar	max 14 bar	+	030-3999	090-2011
BG4	G 3/4"	148	93	73	58	6.0	0.5 - 10 bar	max 14 bar	+	090-4000	090-3436
BG4	G 1"	148	93	124	58	6.0	0.5 - 10 bar	max 14 bar	+	090-4001	090-3437

+ Fastening bracket or fastening set for control panel mounting available as optional extra. See "Accessories" for order numbers

Operating temperature: .. 0°C to +50°C
 For extraction pressure: .. 0.5 to 10 bar
 Admission pressure: max. 14 bar
 Sintered filter: pore width 50 µm
 Container material: metal

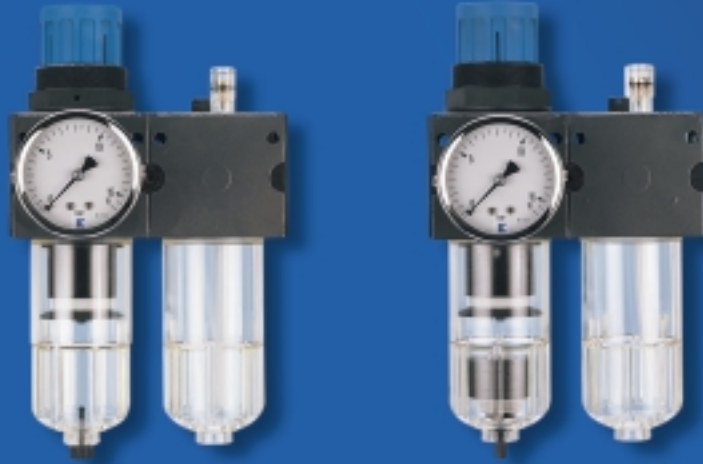
Container volume:
 BG2 20 cm³
 BG4 60 cm³

Size	Connection	Dimensions					Control range	Inlet pressure	Fasten. bracket	without press. gauge	with press. gauge
		A	B	C	D	E					
BG2	G 1/4"	117	70	53	41	4.2	0.5 - 10 bar	max 14 bar	+	030-4035	090-3438
BG2	G 3/8"	117	70	53	41	4.2	0.5 - 10 bar	max 14 bar	+	030-4036	090-3439
BG4	G 1/2"	146	93	73	58	6.0	0.5 - 10 bar	max 14 bar	+	030-4037	090-3440
BG4	G 3/4"	146	93	73	58	6.0	0.5 - 10 bar	max 14 bar	+	030-4038	090-3441
BG4	G 1"	146	93	73	58	6.0	0.5 - 10 bar	max 14 bar	+	030-4039	090-3442

+ Fastening bracket or fastening set for control panel mounting available as optional extra. See "Accessories" for order numbers

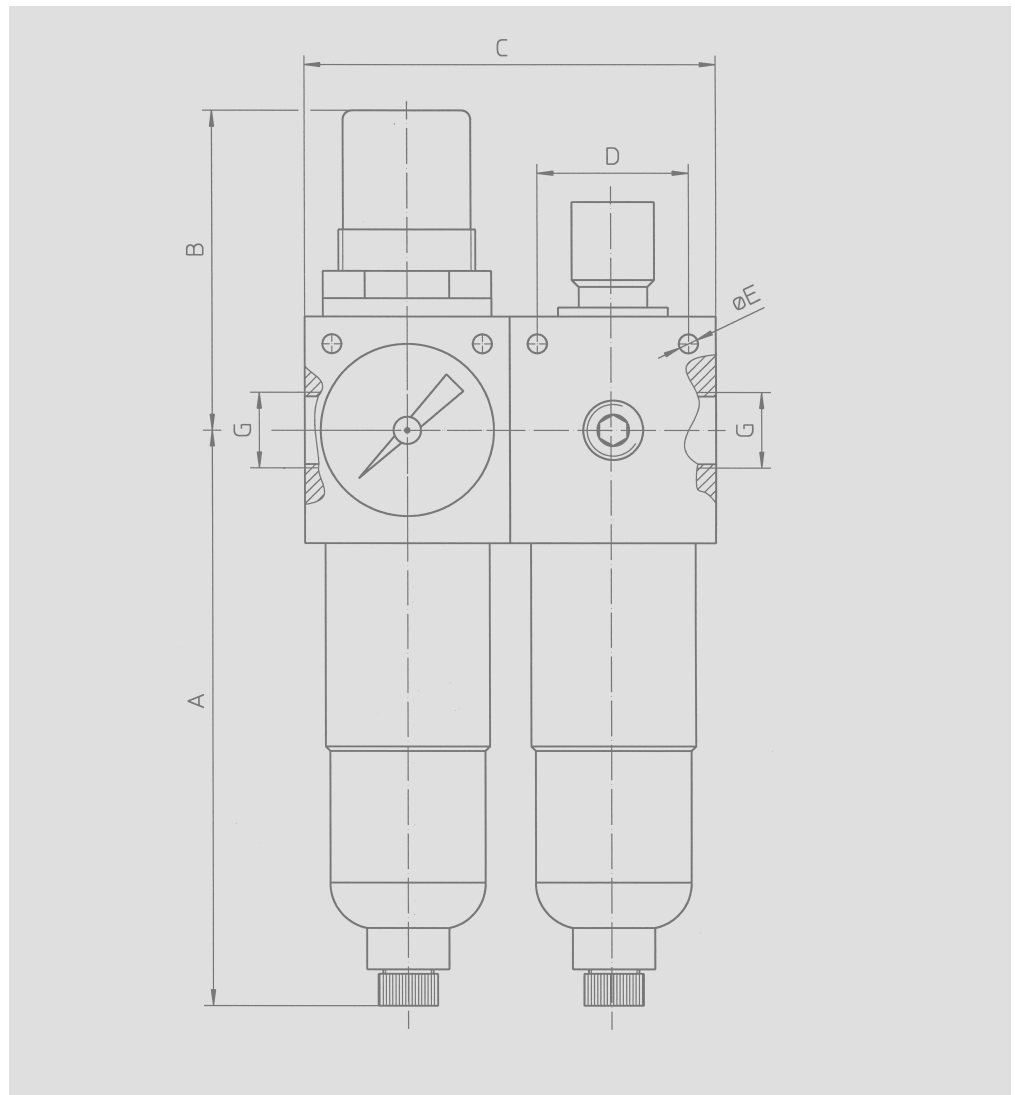
Regulators/valves

Air regulator-filter/
lubricator units



Adjustable air pressure regulator with automatic vent, filter with manual drain valve and lubricator.

Fixing brackets or panel mounting set available as an optional extra.



Operating temperature: .. 0°C to +50°C
For extraction pressure: .. 0.5 to 10 bar
Admission pressure: max. 14 bar
Sintered filter: pore width 50 µm
Container material: PA
Container volume BG2
Filter: 40 cm³
Lubricator: 60 cm³
Container volume BG4
Filter: 90 cm³
Lubricator: 170 cm³

Size	Connection	Dimensions					Control range	Inlet pressure	Pressure gauge	Fasten. bracket	Article no.
		A	B	C	D	E					
BG2	G 1/4"	127	70	98	41	4,2	0,5 - 10 bar	max 14 bar	with	+	030-4050
BG2	G 3/8"	127	70	90	41	4,2	0,5 - 10 bar	max 14 bar	with	+	030-4051
BG4	G 1/2"	148	93	143	58	6	0,5 - 10 bar	max 14 bar	with	+	030-4052
BG4	G 3/4"	148	93	143	58	6	0,5 - 10 bar	max 14 bar	with	+	030-4053
BG4	G 1"	148	93	193	58	6	0,5 - 10 bar	max 14 bar	with	+	030-4054

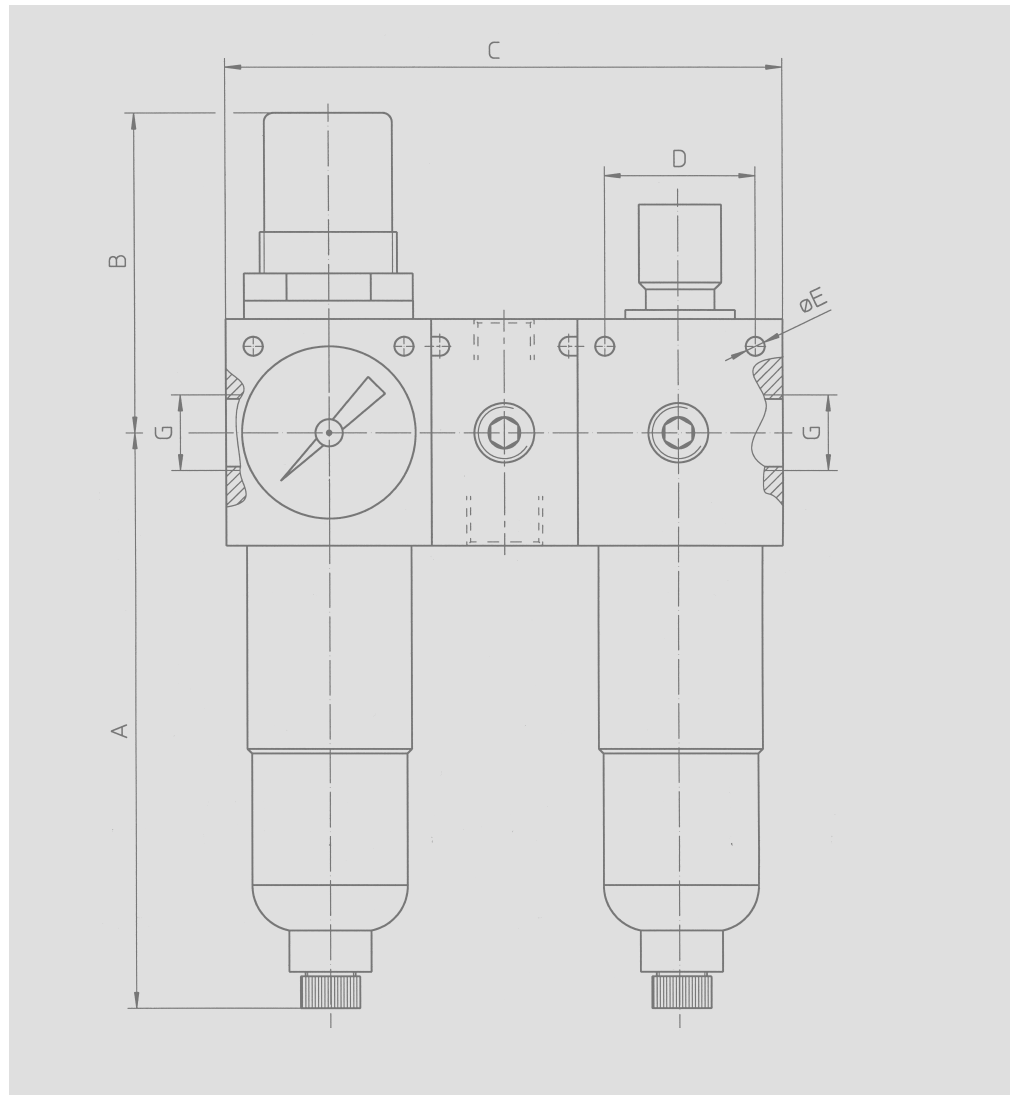
Operating temperature: .. 0°C to +50°C
For extraction pressure: .. 0.5 to 10 bar
Admission pressure: max. 14 bar
Sintered filter: pore width 50 µm
Container material: metal
Container volume BG2
Filter: 20 cm³
Lubricator: 45 cm³
Container volume BG4
Filter: 60 cm³
Lubricator: 150 cm³

Size	Connection	Dimensions					Control range	Inlet pressure	Pressure gauge	Fasten. bracket	Article no.
		A	B	C	D	E					
BG2	G 1/4"	117	70	98	41	4,2	0,5 - 10 bar	max 14 bar	with	+	030-4055
BG2	G 3/8"	117	70	90	41	4,2	0,5 - 10 bar	max 14 bar	with	+	030-4056
BG4	G 1/2"	146	93	143	58	6	0,5 - 10 bar	max 14 bar	with	+	030-4057
BG4	G 3/4"	146	93	143	58	6	0,5 - 10 bar	max 14 bar	with	+	030-4058
BG4	G 1"	146	93	193	58	6	0,5 - 10 bar	max 14 bar	with	+	030-4059

Maintenance unit, 2-section, with separate air extraction, comprising pressure reducer, filter and lubricator, with manual drain valve, reverse controllable, with automatic vent, admission pressure-independent. With extraction option for non-lubricated and lubricated air

Fastening bracket or fastening set for control panel mounting available as optional extra.

Please see "Accessories" for further information.



Operating temperature: .. 0 °C to +50 °C
For extraction pressure: .. 0.5 to 10 bar
Admission pressure: max. 14 bar
Sintered filter: pore width 50 µm
Container material: PA
Container volume BG2
Filter: 40 cm³
Lubricator: 60 cm³
Container volume BG4
Filter: 90 cm³
Lubricator: 170 cm³

Size	Connection	Dimensions					Control range	Inlet pressure	Pressure gauge	Fasten. bracket	Article no.
		A	B	C	D	E					
BG2	G 1/4"	127	70	130	41	4.2	0.5 - 10 bar	max 14 bar	with	+	030-4060
BG2	G 3/8"	127	70	122	41	4.2	0.5 - 10 bar	max 14 bar	with	+	030-4061
BG4	G 1/2"	148	93	221	58	6	0.5 - 10 bar	max 14 bar	with	+	030-4062
BG4	G 3/4"	148	93	213	58	6	0.5 - 10 bar	max 14 bar	with	+	030-4063
BG4	G 1"	148	93	265	58	6	0.5 - 10 bar	max 14 bar	with	+	030-4064

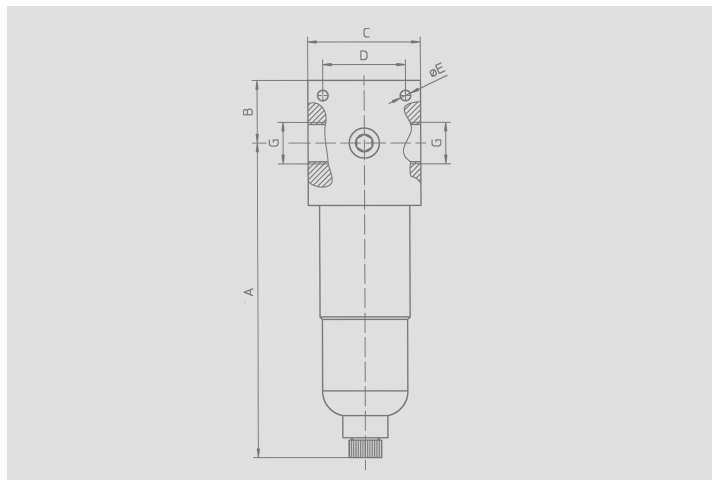
Operating temperature: .. 0 °C to +50 °C
For extraction pressure: .. 0.5 to 10 bar
Admission pressure: max. 14 bar
Sintered filter: pore width 50 µm
Container material: metal
Container volume BG2
Filter: 40 cm³
Lubricator: 60 cm³
Container volume BG4
Filter: 45 cm³
Lubricator: 150 cm³

Size	Connection	Dimensions					Control range	Inlet pressure	Pressure gauge	Fasten. bracket	Article no.
		A	B	C	D	E					
BG2	G 1/4"	117	70	130	41	4.2	0.5 - 10 bar	max 14 bar	with	+	030-4065
BG2	G 3/8"	117	70	122	41	4.2	0.5 - 10 bar	max 14 bar	with	+	030-4066
BG4	G 1/2"	146	93	221	58	6	0.5 - 10 bar	max 14 bar	with	+	030-4067
BG4	G 3/4"	146	93	213	58	6	0.5 - 10 bar	max 14 bar	with	+	030-4068
BG4	G 1"	146	93	265	58	6	0.5 - 10 bar	max 14 bar	with	+	030-4069



Compressed air filter with manual drain valve.

Compressed air filter with sub-microfilter and manual drain valve.



Compressed air filter with sub-microfilter and manual drain valve.

Operating temperature: .. 0 °C to +50 °C
 Admission pressure: max. 14 bar
 Separation degree: 99.99999 %
 based on 0.01 mm
 Residual oil content: 0.01 mg/m³
 Container material: PA

Size	Connection	Dimensions					Inlet pressure	Article no.
		A	B	C	D	E		
BG2	G 1/4"	117	25	53	41	4.2	max 14 bar	030-4021
BG2	G 3/8"	117	25	45	41	4.2	max 14 bar	030-4022
BG4	G 1/2"	146	34	73	58	6	max 14 bar	030-4023
BG4	G 3/4"	146	34	73	58	6	max 14 bar	030-4024
BG4	G 1"	146	34	124	58	6	max 14 bar	030-4025

Operating temperature: .. 0 °C to +50 °C
 Admission pressure: max. 14 bar
 Separation degree: 99.99999 %
 based on 0.01 mm
 Residual oil content: 0.01 mg/m³
 Container material: metal

Size	Connection	Dimensions					Inlet pressure	Article no.
		A	B	C	D	E		
BG2	G 1/4"	117	25	53	41	4.2	max 14 bar	030-4026
BG2	G 3/8"	117	25	45	41	4.2	max 14 bar	030-4027
BG4	G 1/2"	146	34	73	58	6	max 14 bar	030-4028
BG4	G 3/4"	146	34	73	58	6	max 14 bar	030-4029
BG4	G 1"	146	34	124	58	6	max 14 bar	030-4030

Compressed air filter with manual drain valve.

Operating temperature: .. 0 °C to +50 °C
 Admission pressure: max. 14 bar
 Sintered filter: pore width 50 µm
 Container material: PA

Container volume:
 BG2: 40 cm³
 BG4: 90 cm³

Size	Connection	Dimensions					Inlet pressure	Article no.
		A	B	C	D	E		
BG2	G 1/4"	127	25	53	41	4.2	max 14 bar	030-4014
BG2	G 3/8"	127	25	45	41	4.2	max 14 bar	030-1142
BG4	G 1/2"	148	34	73	58	6	max 14 bar	030-1103
BG4	G 3/4"	148	34	73	58	6	max 14 bar	030-1104
BG4	G 1"	148	34	124	58	6	max 14 bar	030-4015

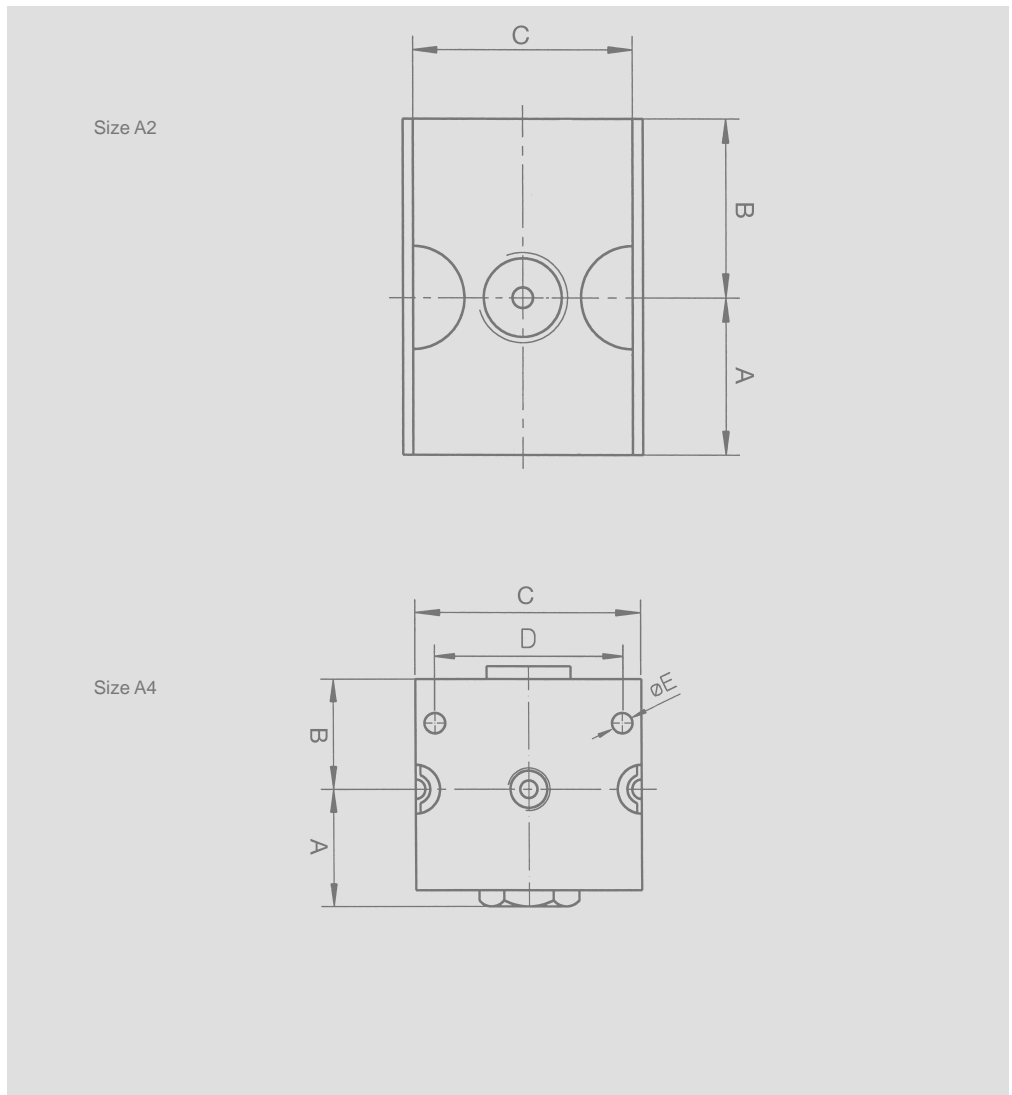
Operating temperature: .. 0 °C to +50 °C
 Admission pressure: max. 14 bar
 Sintered filter: pore width 50 µm
 Container material: metal

Container volume:
 BG2: 20 cm³
 BG4: 60 cm³

Size	Connection	Dimensions					Inlet pressure	Article no.
		A	B	C	D	E		
BG2	G 1/4"	117	25	53	41	4.2	max 14 bar	030-4016
BG2	G 3/8"	117	25	45	41	4.2	max 14 bar	030-4017
BG4	G 1/2"	146	34	73	58	6	max 14 bar	030-4018
BG4	G 3/4"	146	34	73	58	6	max 14 bar	030-4019
BG4	G 1"	146	34	124	58	6	max 14 bar	030-4020



Air manifold block, e.g. for the extraction of unlubricated air in 2-section maintenance units or for multiple extraction of air at any desired point, PN 14.



Size	Connection	Dimensions					Article no.
		A	B	C	D	E	
A2	G 3/8"	25	25	32	41	4,2	030-3987
A4	G 1/2"	37	34	70	58	6	030-0849
A4	G 3/4"	37	34	70	58	6	030-4074

Outlets on manifold block	front	back	top	bottom
Size A2	1/4	-	-	-
Size A2, optionally	1/4	1/4	1/4	3/8
Size A4	1/4	1/4	1/2	3/4