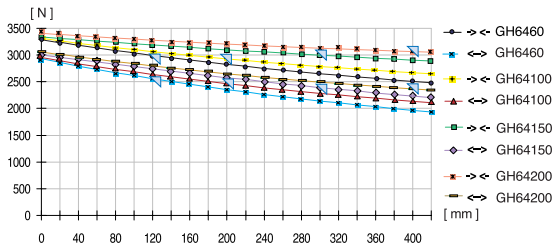


# Long-stroke gripper

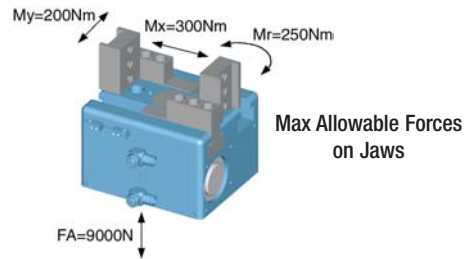
## with T-slot guide

Advantages, benefits, comparisons and tips!  
Stacks of information all about this product are on page 87.

### Gripping force as a function of jaw length



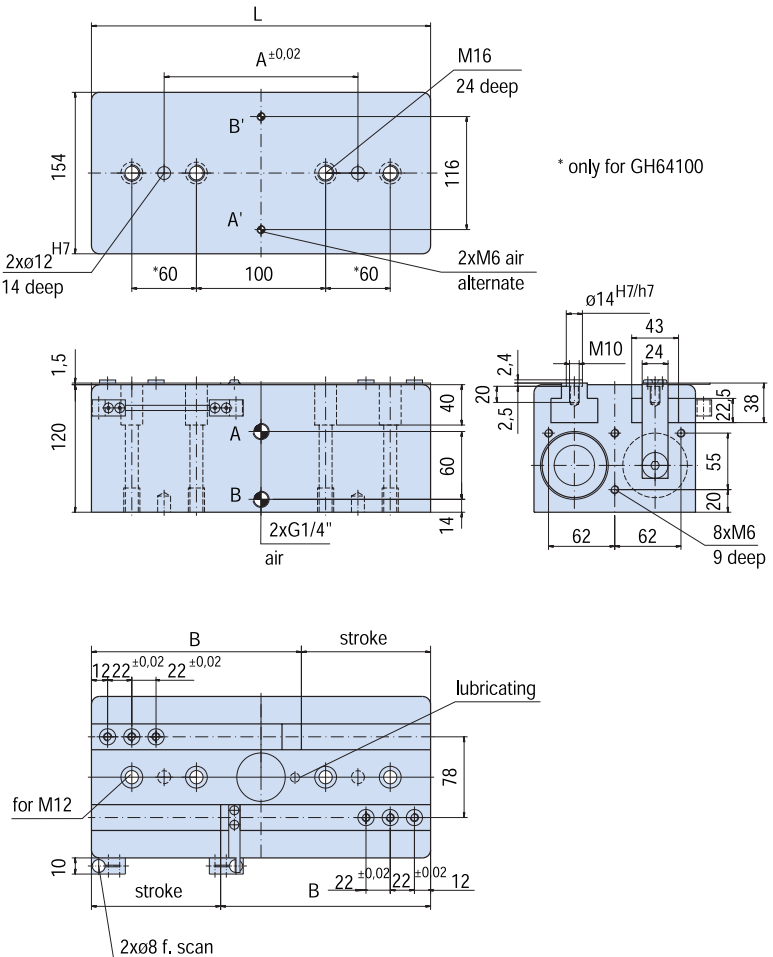
Colored area: increased wear and tear to be expected



<b>Order no.:</b>				
<b>GH6460</b>	<b>GH64100</b>	<b>GH64150</b>	<b>GH64200</b>	
<b>Drive:</b>				
pneum.	pneum.	pneum.	pneum.	
<b>Stroke per jaw [mm]:</b>				
60	100	150	200	
<b>Gripping force in closing [N]:</b>				
3000	3000	3000	3000	
<b>Gripping force in opening [N]:</b>				
3250	3250	3250	3250	
<b>Self-locking via:</b>				
DSV1/8	DSV1/8	DSV1/8	DSV1/8	
<b>Closing time/opening time [s]:</b>				
0,45	0,6	0,9	1,2	
<b>Repeatability ± [mm]:</b>				
0,05	0,05	0,05	0,05	
<b>Min./max. operating pressure [bar]:</b>				
4 / 10	4 / 10	4 / 10	4 / 10	
<b>Air volume per cycle [cm³]:</b>				
400	683	1060	1380	
<b>Min./max. operating temperature. [°C]:</b>				
5/80	5/80	5/80	5/80	
<b>Temp. resistant version up to 150° C [add to part number]:</b>				
T3	T3	T3	T3	
<b>Piston diameter [mm]:</b>				
63	63	63	63	
<b>Weight [kg]:</b>				
10,8	14,12	by request	by request	

All data measured at 6 bar.

<b>Dimension A [mm]:</b>				
140	160	260	260	
<b>Dimension B [mm]:</b>				
125	165	215	265	
<b>Dimension L [mm]:</b>				
185	265	365	465	



See Page 87 for Accessory list.