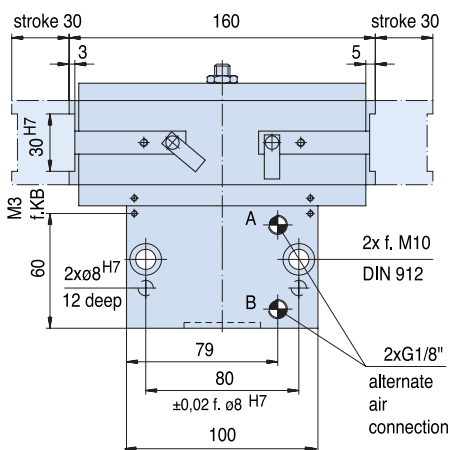
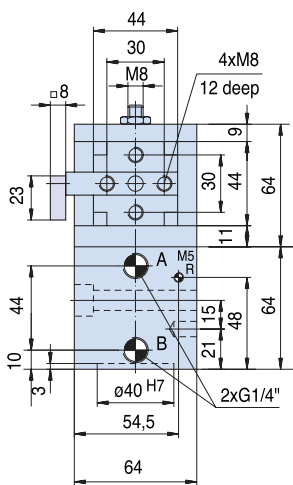
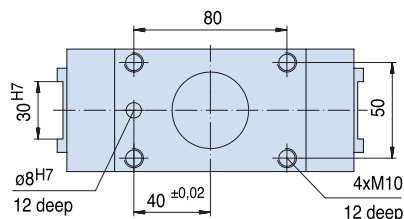
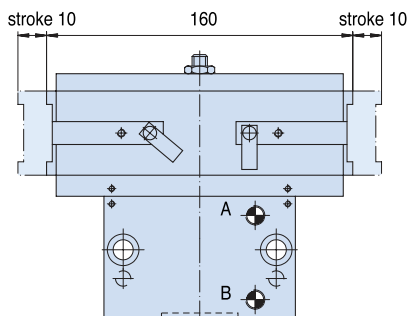


Max Allowable Forces on Jaws

GP260



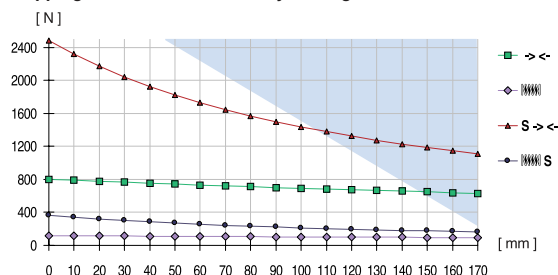
GP260S



Parallel gripper with sealed square guide

Advantages, benefits, comparisons and tips! Stacks of information all about this product are on page 47.

Gripping force as a function of jaw length



Colored area: increased wear and tear to be expected

Order no.:

GP260	GP260 S	GP260 /99	GP260 S/99

Drive:

pneum.	pneum.	pneum.	pneum.

Stroke per jaw [mm]:

30	10	30	10

Gripping force in closing and opening [N]:

-	-	665	2120

Gripping force in closing [N]:

800	2480	-	-

Self-locking via:

Spring	Spring	DSV1/8	DSV1/8

Closing time/opening time [s]:

0,2	0,2	0,15	0,15

Repeatability ± [mm]:

0,05	0,05	0,05	0,05

Min./max. operating pressure [bar]:

5 / 8	5 / 8	5 / 8	5 / 8

Air volume per cycle [cm³]:

115	115	115	115

Min./max. operating temperature [°C]:

5 / 80	5 / 80	5 / 80	5 / 80

Temp. resistant version up to 150° C [add to part number]:

T3	T3	T3	T3

Piston diameter [mm]:

50	50	50	50

Weight [kg]:

2,9	2,9	2,9	2,9

All data measured at 6 bar.

See Page 47 for Accessory list.