

Parallel gripper

Three-jaw gripper

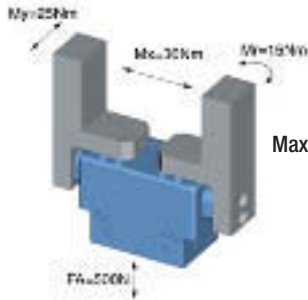
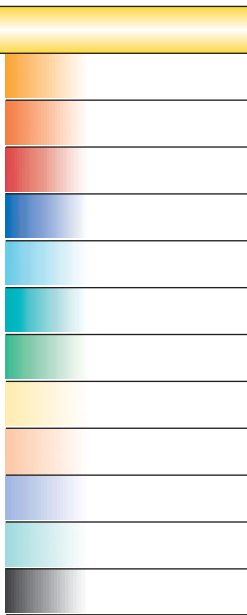
Angle gripper

Internal-hole gripper

Other grippers

Electric gripper

GP1803 GP1804 **GP1806** GP1808 GP1810 GP1812 GP1816 GP1820 GP1830 Universal Jaw



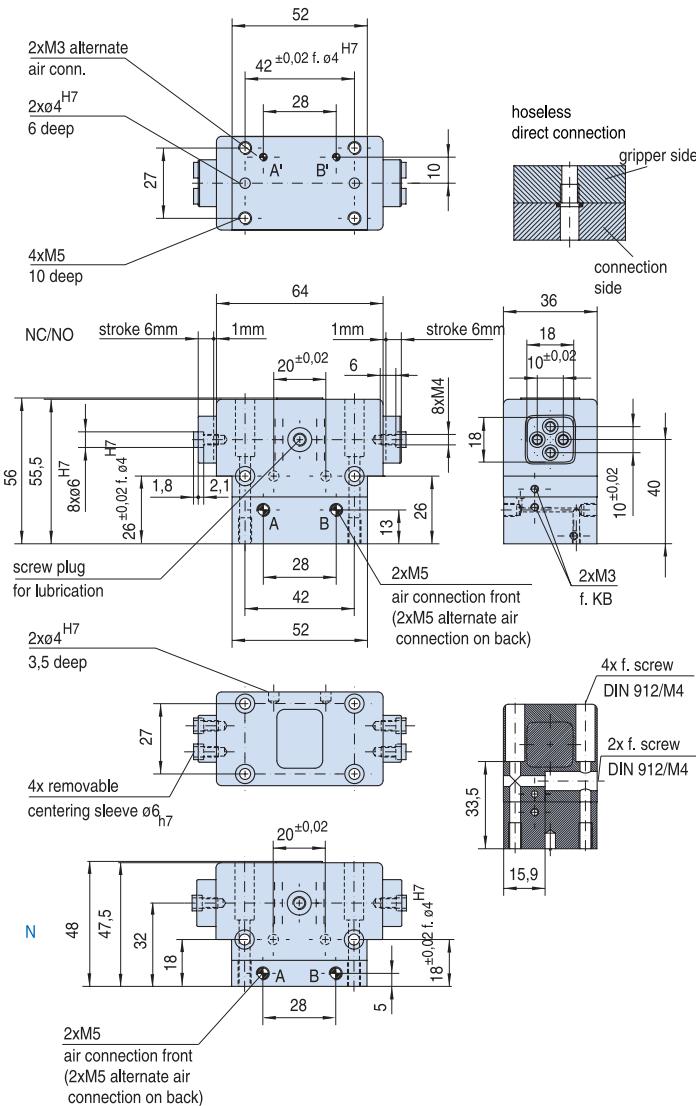
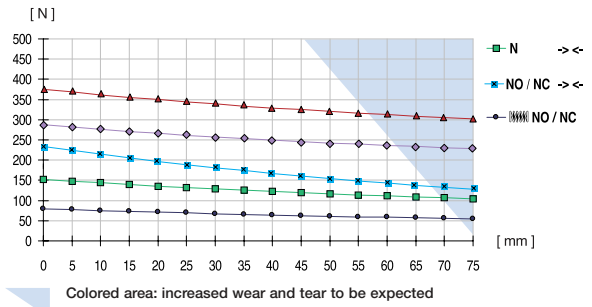
Max Allowable Forces on Jaws

Parallel gripper

with sealed 4-sided guide

Advantages, benefits, comparisons and tips! Stacks of information all about this product are on page 35.

Gripping force as a function of jaw length



Order no.:					
GP1806 N	GP1806 NC	GP1806 NO			
Drive:					
pneum.	pneum.	pneum.			
Stroke per jaw [mm]:					
6	6	6			
Gripping force in closing [N]:					
150	235	-			
Gripping force in opening [N]:					
285	-	375			
Self-locking via:					
DSV1/8	Spring	Spring			
Closing time/opening time [s]:					
0,04	0,05	0,05			
Repeatability ± [mm]:					
0,05	0,05	0,05			
Min./max. operating pressure for closing [bar]:					
4 / 8	4 / 8	5 / 8			
Min./max. operating pressure for opening [bar]:					
4 / 4	5 / 8	4 / 4			
Air volume per cycle [cm³]:					
12	17	17			
Min./max. operating temperature [°C]:					
5 / 80	5 / 80	5 / 80			
Temp. resistant version up to 150° C [add to part number]:					
T3	T3	T3			
Piston diameter [mm]:					
25	25	25			
Weight [kg]:					
0,4	0,6	0,6			

All data measured at 6 bar.

See Page 35 for Accessory list.