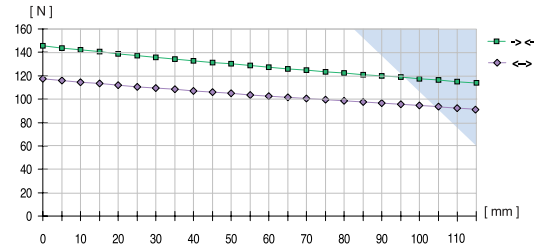


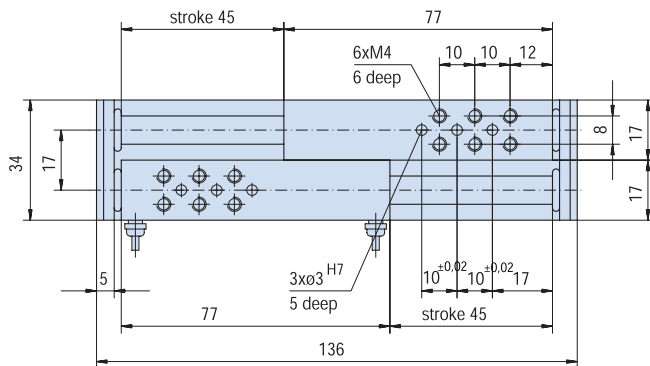
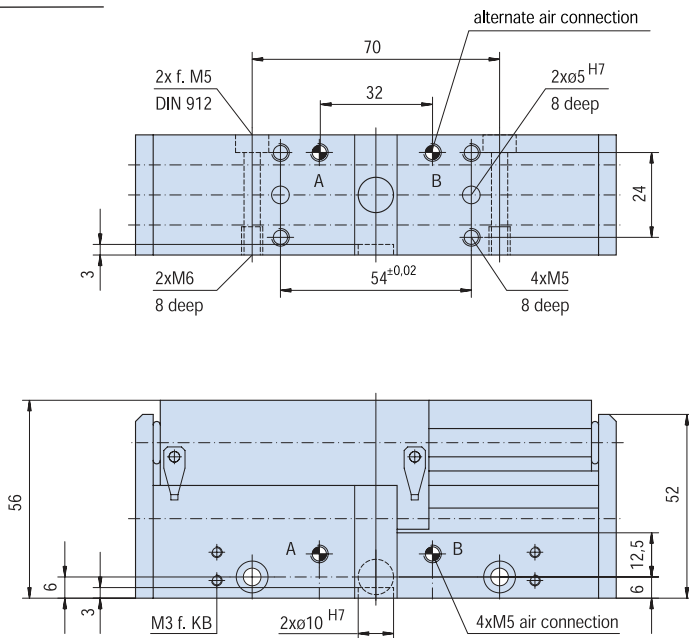
Long-stroke gripper with round guide

Advantages, benefits, comparisons and tips! Stacks of information all about this product are on page 95.

Gripping force as a function of jaw length



Colored area: increased wear and tear to be expected



Order no.:				
GH90				
Drive:				
pneum.				
Stroke per jaw [mm]:				
45				
Gripping force in closing [N]:				
115				
Gripping force in opening [N]:				
140				
Self-locking via:				
DSV1/8				
Closing time/opening time [s]:				
0,25				
Repeatability ± [mm]:				
0,1				
Min./max. operating pressure [bar]:				
4 / 10				
Air volume per cycle [cm³]:				
22				
Min./max. operating temperature [°C]:				
5 / 80				
Temp. resistant version up to 150° C [add to part number]:				
T3				
Piston diameter [mm]:				
14				
Weight [kg]:				
0,7				

All data measured at 6 bar.

See Page 95 for Accessory list.