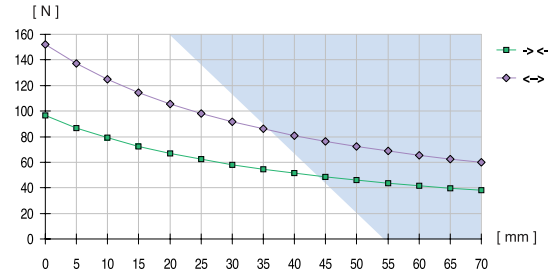


Parallel gripper

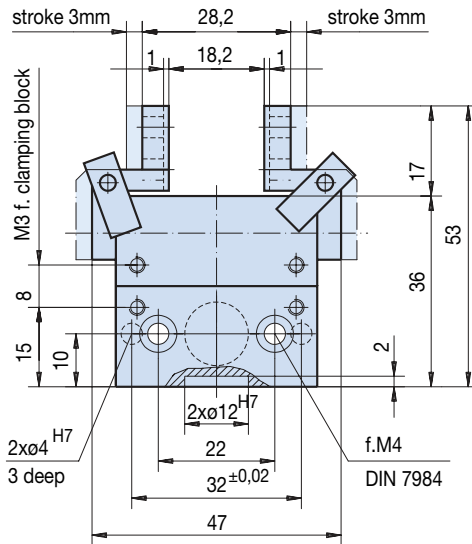
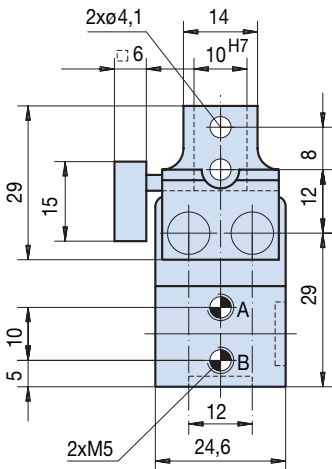
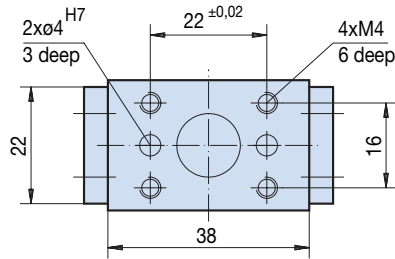
sealed and rust-resistant

Advantages, benefits, comparisons and tips!
Stacks of information all about this product are on page 79.

Gripping force as a function of jaw length



Colored area: increased wear and tear to be expected



Order no.:

GP206

N

Drive:

pneum.

Stroke per jaw [mm]:

3

Gripping force in closing [N]:

95

Gripping force in opening [N]:

155

Self-locking via:

DSV1/8

Closing time/opening time [s]:

0,03

Repeatability ± [mm]:

0,05

Min./max. operating pressure [bar]:

3 / 8

Air volume per cycle [cm³]:

4

Min./max. operating temperature [°C]:

5 / 80

Temp. resistant version up to 150° C [add to part number]:

T3

Piston diameter [mm]:

16

Weight [kg]:

0,12

All data measured at 6 bar.

See Page 79 for Accessory list.