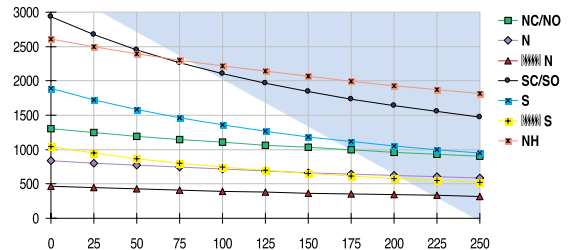


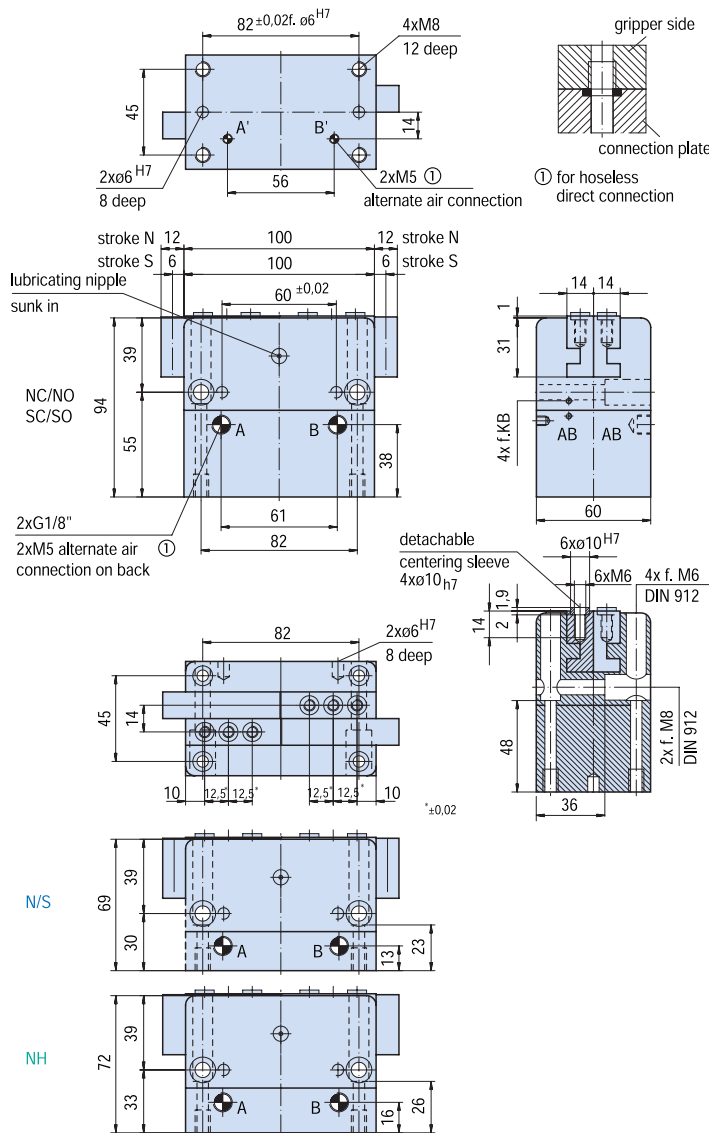
# Parallel gripper with extended T-slot

Advantages, benefits, comparisons and tips! Stacks of information all about this product are on page 29.

## Gripping force as a function of jaw length



Colored area: increased wear and tear to be expected



Order no.:						
GP612 N	GP612 NC	GP612 NO	GP612 S	GP612 SC	GP612 SO	GP612 NH
<b>Drive:</b>						
pneum	pneum	pneum	pneum	pneum	pneum	hydr.
<b>Stroke per jaw [mm]:</b>						
12	12	12	6	6	6	12
<b>Gripping force in closing and opening [N]:</b>						
900	-	-	1900	-	-	2650
<b>Gripping force in closing [N]:</b>						
-	1300	-	-	2950	-	-
<b>Gripping force in opening [N]:</b>						
-	-	1300	-	-	2950	-
<b>Self-locking via:</b>						
DSV1/8	Spring	Spring	DSV1/8	Spring	Spring	-
<b>Closing time/opening time [s]:</b>						
0,08	0,1	0,1	0,08	0,1	0,1	0,5
<b>Repeatability ± [mm]:</b>						
0,025	0,025	0,025	0,025	0,025	0,025	0,025
<b>Min./max. operating pressure [bar]:</b>						
3 / 8	5 / 8	5 / 8	3 / 8	5 / 8	5 / 8	10 / 40
<b>Air volume per cycle [cm<sup>3</sup>]:</b>						
53	100	100	53	100	100	-
<b>Oil volume per cycle [cm<sup>3</sup>]:</b>						
-	-	-	-	-	-	34
<b>Min./max. operating temperature [°C]:</b>						
5 / 80	5 / 80	5 / 80	5 / 80	5 / 80	5 / 80	5 / 80
<b>Temp. resistant version up to 150° C [add to part number]:</b>						
T2	T2	T2	T2	T2	T2	T2
<b>Piston diameter [mm]:</b>						
50	50	50	50	50	50	40
<b>Weight [kg]:</b>						
1,6	1,8	1,8	1,6	1,8	1,8	1,53

All data measured at 6 bar (hydr. 30 bar).

See Page 17 for Accessory list.