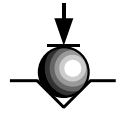
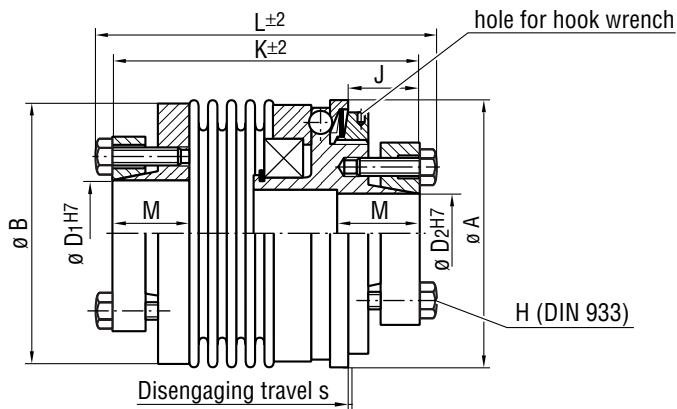


Backlash-free safety couplings



Series DXK/SB with outer conical hubs – self-releasing during dismantling



1) Continuous engagement version is possible.
Stainless steel version is possible.

Technical data – series DXK/SB

TYPE		10	18	30	60	150	300	500	800	1200	1600
Disengaging torque adjustable	T_{KN} Version a	2–5	3–9	10–30	12–35	45–110	40–120	90–250	260–600	400–900	500–1000
	T_{KN} Version b	5–10	9–18	—	20–70	90–180	80–250	200–500	500–1000	800–1400	900–1600
Moment of inertia (10^{-3} Kgm ²)	J Hub side	0.09	0.2	0.36	0.65	1.5	3	11.6	27	27	60
	J Metal bellows side	0.05	0.1	0.17	0.32	0.8	2.5	5.3	16	16	30
Weight (appr. kg)	m	0.33	0.5	0.68	1.4	2.15	4.6	8.5	14	14	22.5
Tightening torque of retaining screws (Nm)	M_A	1.9	4	5.9	5.9	15	15	36	125	125	110
Max. permissible misalignment	- radial (mm) ΔK_r	0.1	0.2	0.1/0.2	0.1/0.2	0.2/0.2	0.2/0.2	0.2/0.2	0.2	0.2	0.2
	- axial (mm) ΔK_a	0.4	0.5	0.4/0.5	0.4/0.5	0.4/0.5	0.4/0.5	0.5/1.0	0.5	0.5	0.5
	- angular (degrees) ΔK_w	1.0	1.5	1.0/1.5	1.0/1.5	1.0/1.5	1.0/1.5	1.0/1.5	1.0	1.0	1.0
Dynamic torsional stiffness (10^3 Nm/rad)	$C_{T\ dyn}$	5.4	8/6	36/26	73/49	151/101	173/116	680/310	758	1266	2800
Radial spring stiffness (N/mm)	C_r	90	204/86	718/222	1125/333	2030/601	2531/450	8800/972	512	706	2950
Axial spring stiffness (N/mm)	C_a	14	52/39	48/27	91/53	147/86	147/85	105/86	186	278	310
Max. rotational speed (rpm)	n_{max}	11450	8950	8420	7250	5840	4850	4400	3390	3390	2950
Disengaging travel (mm)	s	0.6	0.7	1.2	1.2	2	2	2	2	2	2

Dimensions (mm) – series DXK/SB

TYPE		10	18	30	60	150	300	500	800	1200	1600
Ø A		50	64	68	79	98	118	130	169	169	194
Ø B		40	56	56	66	90	90	122	157	157	157
Ø D ₁	min. – max.	10–14	10–19	19–24	20–32	25–42	30–42	35–55	40–70	40–70	70–90
Ø D ₂	min. – max.	8–14	8–16	12–18	20–25	25–38	30–38	35–50	40–60	40–60	50–70
H	6 x DIN 933	M4	M4	M5	M5	M6	M6	M8	M12	M12	M12
J		17	19	22	30	30	30	45	50	50	51
K	2)	70	90/98	92/100	115/125	117/130	117/130	148/159	220	220	220
L	2)	76	96/104	99/107	123/133	123/138	123/138	159/170	236	236	266
M		15	18	18	26	33	33	40	50	50	65

- Temperature range: -30 °C to +100 °C
- Higher temperatures on request

2) Two metal bellows versions with different dynamic torsional stiffnesses are available.
The lengths L and K therefore vary.