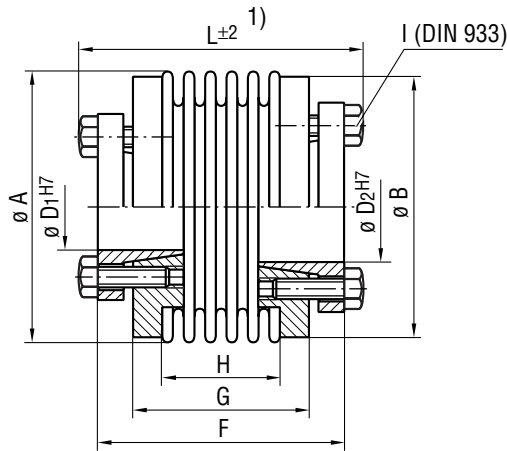


Metal bellows couplings

Series AK with conical hubs



Technical Data – Series AK

TYPE		30	60	80	150	200	300	500	800	1400	3000	5000
Nominal moment (Nm)	T_{KN}	30	60	80	150	200	300	500	800	1400	3000	5000
Torsional stiffness (10^3 Nm/rad)	$C_{T \text{ dyn}}$	36/26	73/49	126/74	151/101	173/116	499/280	310	758	1266	2800	4800
Radial spring (N/mm)	C_r	718/222	1125/333	1218/403	2030/601	2531/450	6328/1470	972	512	706	2950	4920
Axial spring (N/mm)	C_a	48/27	91/53	84/53	147/86	147/85	284/153	86	186	278	310	510
Moment of inertia (10^{-3} Kg m^2)	J	0.15	0.4	0.8	0.8	1.5	4.0	7.2	26.1	26.1	48	62
Tightening torque of retaining screws (Nm)	M_A	4.5	8.5	10	14	14	18	26	45	80	85	210
Weight (ca. kg)	m	0.4	0.8	1.3	1.3	1.6	3.4	4.2	8.5	8.5	15	21
Max. approved misalignment												
- radial (mm)	ΔK_r	0.1/0.2	0.1/0.2	0.2/0.2	0.2/0.2	0.2/0.2	0.2/0.2	0.2	0.2	0.2	0.2	0.2
- axial (mm)	ΔK_a	0.4/0.5	0.4/0.5	0.4/0.5	0.4/0.5	0.4/0.5	0.4/0.5	1.0	1.0	1.0	1.0	1.0
- angular (degree)	ΔK_w	1.0/1.5	1.0/1.5	1.0/1.5	1.0/1.5	1.0/1.5	1.0/1.5	1.5	1.5	1.5	1.5	1.5
Max. rotating speed at $V = 30$ m/s (rpm)	n_{max}	11000	9100	7000	7000	6700	5200	4600	3700	3700	2800	2800

Dimensions (mm) – Series AK

TYPE	30	60	80	150	200	300	500	800	1400	3000	5000
$L_{\pm 2}$	52/60	63/73	80/91	80/92	80/93	91/104	113	170	170	206	206
$\varnothing A$	56	66	82	82	90	110	122	157	157	157	208
$\varnothing B$	52	63	80	80	85	110	122	152	152	152	190
$\varnothing D_1^{H7} / \varnothing D_2^{H7}$											
- min.	12	15	20	20	20	25	35	50	50	55	60
- max.	20	25	35	35	40	50	55	70 ²⁾	70 ²⁾	75 ²⁾	85 ²⁾
F	45/53	55/65	72/83	72/84	72/85	80/93	102	150	150	190	186
G	29/37	37/47	50/61	50/62	50/63	54/67	72	110	110	150	146
H	16/24	21/31	24/36	24/36	25/37	29/40	40	84	84	84	94
I (DIN 933)	6 x M5	6 x M6	6 x M6	6 x M6	6 x M6	6 x M8	6 x M8	6 x M16	6 x M16	6 x M12	6 x M16

1) Keep space for the releasing screws.

2) Larger bores on request.

3) Stainless steel version also available.