

Shrink Disc PSV 5003



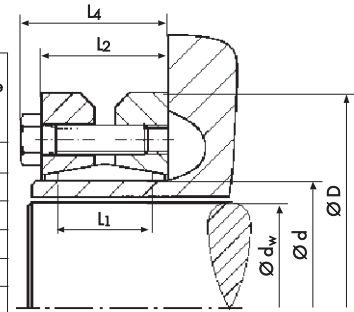
Advantages

- transmission of high torque values
- external locking solution
- excellent cyclic running capabilities

Shaft sizes up to 155 mm
Torque up to 122.000 Nm

Please consider the following tolerances:

d _w (mm)		ISO	max. clearance S mm
from	to		
10	18	H 6 / j 6	0,014
18	30		0,017
30	50	H 6 / h 6	0,032
50	80	H 6 / g 6	0,048
80	120	H 7 / g 6	0,069
120	180		0,079



Technical Data and Dimensions

Shrink Disc Dimensions						Transmissible Torque T Nm	Axial Force F _{ax} kN	Contact surface pressure N/mm ²	Number of locking screws #	Locking screws G DIN 931	Tightening torque of screws T _A Nm
Ø d mm	Ø d _w mm	Ø D mm	L ₁ mm	L ₂ mm	L ₄ mm						
14	10	38	10	15	19	40	10	343	4	M5	3
	11					50	12				
	12					65	14				
16	12	41	12	17	21	65	14	313	5	M5	3
	13					80	16				
	14					95	18				
18	14	44	12	17	21	85	16	297	4	M5	4
	15					100	18				
	16					130	20				
20	15	46	12	17	21	110	20	334	5	M5	4
	16					130	22				
	17					150	24				
21	16	50	14	20	24	180	31	409	6	M5	5
	17					220	34				
	18					270	37				
24	19	50	15	21	25	220	32	357	6	M5	5
	20					270	35				
	21					320	37				
30	24	60	18	23	27	390	38	292	7	M5	5
	25					430	41				
	26					470	43				
36	28	72	19	25	29	440	50	307	5	M6	12
	30					570	58				
	31					630	58				
38	29	72	21	27	31	670	62	340	6	M6	12
	30					730	65				
	31					740	64				
40	30	75	21	27	31	620	60	305	6	M6	12
	31					630	60				
	32					690	61				
44	32	80	22	28	32	740	62	283	7	M6	12
	35					940	72				
	36					1020	75				
48	36	80	22	30	34	730	66	260	7	M6	12
	38					930	72				
	40					1110	78				

Additional diameters available upon request. Technical Specifications subject to change without notice.

Order data:

24 x 50 PSV 5003
d x D Type

Applications

- pumps
- wind energy systems
- gearboxes
- conveying equipment
- automation and handling equipment
- similar applications involving shafts and hollow shafts

Technical Details

- tolerance Ø d h8
- surface roughness R_f max 16µm for shaft and hub

Shrink Disc Dimensions						Transmissible Torque T Nm	Axial Force F _{ax} kN	Contact surface pressure N/mm ²	Number of locking screws #	Locking screws G DIN 931	Tightening torque of screws T _A Nm
Ø d mm	Ø d _w mm	Ø D mm	L ₁ mm	L ₂ mm	L ₄ mm						
50	38	90	22	30	34	1270	89	320	9	M6	12
	40					1440	96				
	42					1630	103				
55	42	100	23	31	35	1160	79	250	8	M6	12
	45					1520	88				
	48					1880	97				
62	48	110	23	32	36	2220	125	330	12	M6	12
	50					2620	132				
	52					2890	135				
68	50	115	23	33	37	2000	97	260	10	M6	12
	55					2500	106				
	60					3150	120				
75	55	138	25	33	39	2500	119	270	7	M8	30
	60					3200	137				
	65					3950	155				
80	60	145	25	33	39	3200	124	260	7	M8	30
	65					3900	140				
	70					4600	158				
85	60	155	30	42	48	4300	169	290	10	M8	30
	65					5490	190				
	70					6150	212				
90	65	155	30	40	46	4750	170	270	10	M8	30
	70					6000	190				
	75					7250	212				
95	65	170	34	47	53	5380	195	280	12	M8	30
	70					6770	217				
	75					8200	240				
100	70	170	34	44	50	6900	195	260	12	M8	30
	75					7500	220				
	80					9000	240				
110	75	185	39	50	57	7200	229	240	9	M10	59
	80					9000	252				
	85					10800	262				
115	80	185	42	54	61	9200	280	250	10	M10	59
	90					12600	310				
	95					15000	340				
125	85	215	42	54	61	11000	300	265	12	M10	59
	90					13000	320				
	95					15000	350				
135	90	212	60	77	85	16500	420	250	12	M12	100
	95					19500	460				
	100					22000	490				
140	95	230	46	61	69	15000	360	260	10	M12	100
	100					17500	400				
	105					20000	420				
155	105	263	66	84	92	27000	551	250	15	M12	100
	110					31000	590				
	115					35000	630				
165	115	290	56	71	81	31000	600	280	8	M16	250
	120					35000	630				
	125					39000	660				
175	125	300	92	116	126	70000	1160	300	15	M16	250
	130					79000	1230				
	135					86000	1290				
185	135	330	71	86	96	52000	780	240	10	M16	250
	140					57000	820				
	145					62000	860				
190	135	350	92	117	130	96000	1420	335	12	M20	470
	140					104000	1490				
	150					122000	1630				
195	140	350	71	86	96	65000	930	280	12	M16	250
	150					76000	1030				
	155					82000	1070				