

Locking Assembly PSV 2007.3

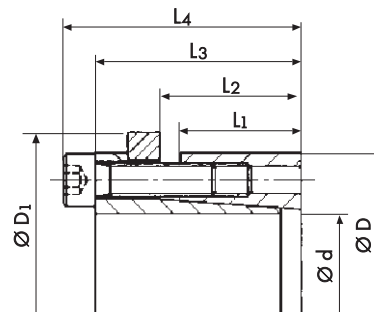


Advantages

- excellent usage of space
- no axial movement during installation

Shaft sizes up to 180 mm

Torque up to 36.000 Nm



Technical Data and Dimensions

Locking Assembly Dimensions							Transmissible Torque T Nm	Axial Force F _{ax} kN	Contact surface pressure between locking assembly and Shaft		Locking screws G DIN 912	Tightening torque of screws T _A Nm
Ø d mm	Ø D mm	Ø D ₁ mm	L ₁ mm	L ₂ mm	L ₃ mm	L ₄ mm			P _w N/mm ²	P _N N/mm ²		
19	47	53	26	31	39	45	290	20	230	96	M6	17
20	47	53	26	31	39	45	310	23	230	96	M6	17
22	47	53	26	31	39	45	360	23	210	97	M6	17
24	50	56	26	31	39	45	420	35	210	100	M6	17
25	50	56	26	31	39	45	470	35	220	110	M6	17
28	55	61	26	31	39	45	580	35	200	110	M6	17
30	55	61	26	31	39	45	640	35	220	120	M6	17
32	60	66	26	31	39	45	780	47	200	110	M6	17
35	60	66	26	31	39	45	840	47	200	120	M6	17
38	65	71	26	31	39	45	1.000	47	200	120	M6	17
40	65	71	26	31	39	45	1.100	47	230	140	M6	17
42	75	81	30	36	47	55	1.900	47	220	140	M8	41
45	75	81	30	36	47	55	1.900	65	220	140	M8	41
48	80	86	30	36	47	55	2.100	74	220	140	M8	41
50	80	86	30	36	47	55	2.200	86	220	140	M8	41
55	85	91	30	36	47	55	2.700	86	220	140	M8	41
60	90	96	30	36	47	55	2.900	86	200	130	M8	41
65	95	101	30	36	47	55	3.500	86	210	140	M8	41
70	110	116	40	46	57	67	5.700	140	220	140	M10	83
75	115	121	40	46	62	72	6.200	150	220	150	M10	83
80	120	126	40	46	62	72	6.700	140	200	140	M10	83
85	125	131	40	46	62	72	8.000	170	220	160	M10	83
90	130	136	40	46	62	72	8.500	170	200	140	M10	83
95	135	141	40	46	62	72	10.000	170	190	140	M10	83
100	145	151	46	52	77	89	13.300	200	200	150	M12	145
110	155	161	46	52	77	89	14.600	200	200	180	M12	145
120	165	171	46	52	77	89	19.100	250	220	160	M12	145
130	180	186	46	52	77	89	20.400	300	200	140	M12	145
140	190	196	51	59	84	98	25.000	350	190	140	M14	230
150	200	206	51	59	84	98	30.100	350	200	150	M14	230
160	210	216	51	59	84	98	26.600	330	110	85	M14	230
180	235	241	51	59	84	98	36.000	400	120	90	M14	230

Additional diameters available upon request. Technical Specifications subject to change without notice.

Order data:

20 x 47 PSV 2007.3
d x D Type

Applications

- sprockets
- conveying equipment
- conveyor drums
- pulleys
- similar applications requiring a strong and economical connection

Technical Details

- self-centering
- tolerances H8/h8
- surface roughness R_a max 16µm for shaft and hub